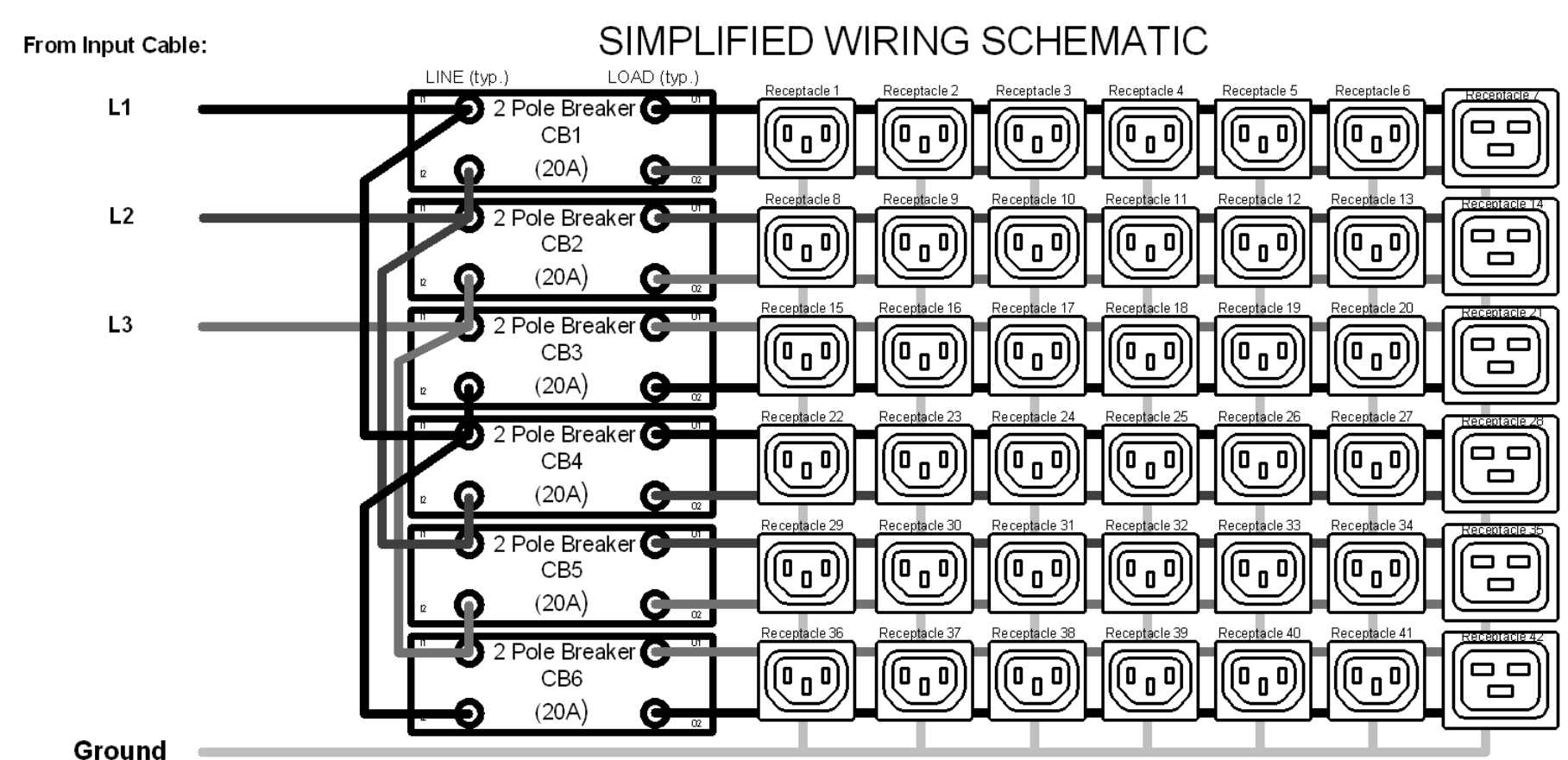


| Technical Specs: | |
|--|--|
| Input Ratings | |
| Nominal Voltage (VAC) | 208VAC, Three Phase, 50/60 Hz |
| Input Plug / Cord | CS8365C 50A 3P+E, 10 ft (3m) |
| Current Rating | 50A derated to 40A (NA) |
| Power Rating (kW) | 14.3 |
| Output Ratings | |
| Nominal Voltage (VAC) | 208VAC, 50/60 Hz |
| Current Rating | 40A per Phase |
| Outlet Rating | C13: 12A max, C19: 16A max |
| Max Current per Breaker | 16A Max Unbalanced/11.5A Balanced |
| Outlet Combination | |
| Load Segment | CB1,CB2,CB3,CB4,CB5,CB6: (6) C-13 (1) C19 |
| PDU Total | (36) C13 (6) C19 |
| Branch Circuit Protection | (6) 2-pole 20A UL489 Breakers |
| Surge Suppression | None |
| Features: | |
| Local Display | (1) 4 digit LED Display- Input Current Meter |
| Cord Retention | Locking receptacles |
| Mounting System | Multiple tool-less mounting button locations, A and B (see detail) |
| Dimensions & Weights: | |
| Width (In[mm]) | 2.68 [68.0] |
| Height (In[mm]) | 75.11 [1907.8] |
| Depth (In[mm]) | 2.11 [53.6] |
| Weight (lbs[kg]) | 22 [10] |
| Regulatory Information: | |
| UL & cUL Listed, IEC 60950-1, CSA C22.2, CE, RoHS, FCC Part 15 Class A, EN 55022 | |
| Environmental Conditions: | |
| Operating Temperature | 32-149F(0-65C) |
| Operating Rel Humidity | 5 - 95% |
| Operating Elevation | 0-10000 ft (0-3000 m) |
| Storage Temperature | -13 - 149F (-25 - 65C) |
| Storage Rel Humidity | 5 - 95% |
| Storage Elevation | 0-50000ft (0-15000 m) |
| Hardware Included: | |
| (2) tool less mounting buttons (1) ground kit cable | |



- Notes:
- 1 All Dimension are in inches [millimeters] unless otherwise specified.
 - 2 Installation must conform with all related national and local codes.
 - 3 All Bracket kits are sold separately. Toolless mounting buttons are included for installation in CPI cabinets.
 - 4 For more information, please contact Tech Support at techsupport@chatsworth.com.

©2017 Chatsworth Products, Inc. All rights reserved.



All products quoted are subject to availability based on manufacturing capacity and shipping dates should be considered estimates only.

eConnect Vertical (0U) PDU, Metered, CS8365C 50A 3P+E, 10 ft (3m), 208VAC, Three Phase, 50/60 Hz Input, 40A per Phase, (36) C13 (6) C19 Outlets, 208VAC, 50/60 Hz Output

While every effort has been made to ensure the accuracy of all information, CPI does not accept liability for any errors or omissions and reserves the right to change information and descriptions of listed services and products.