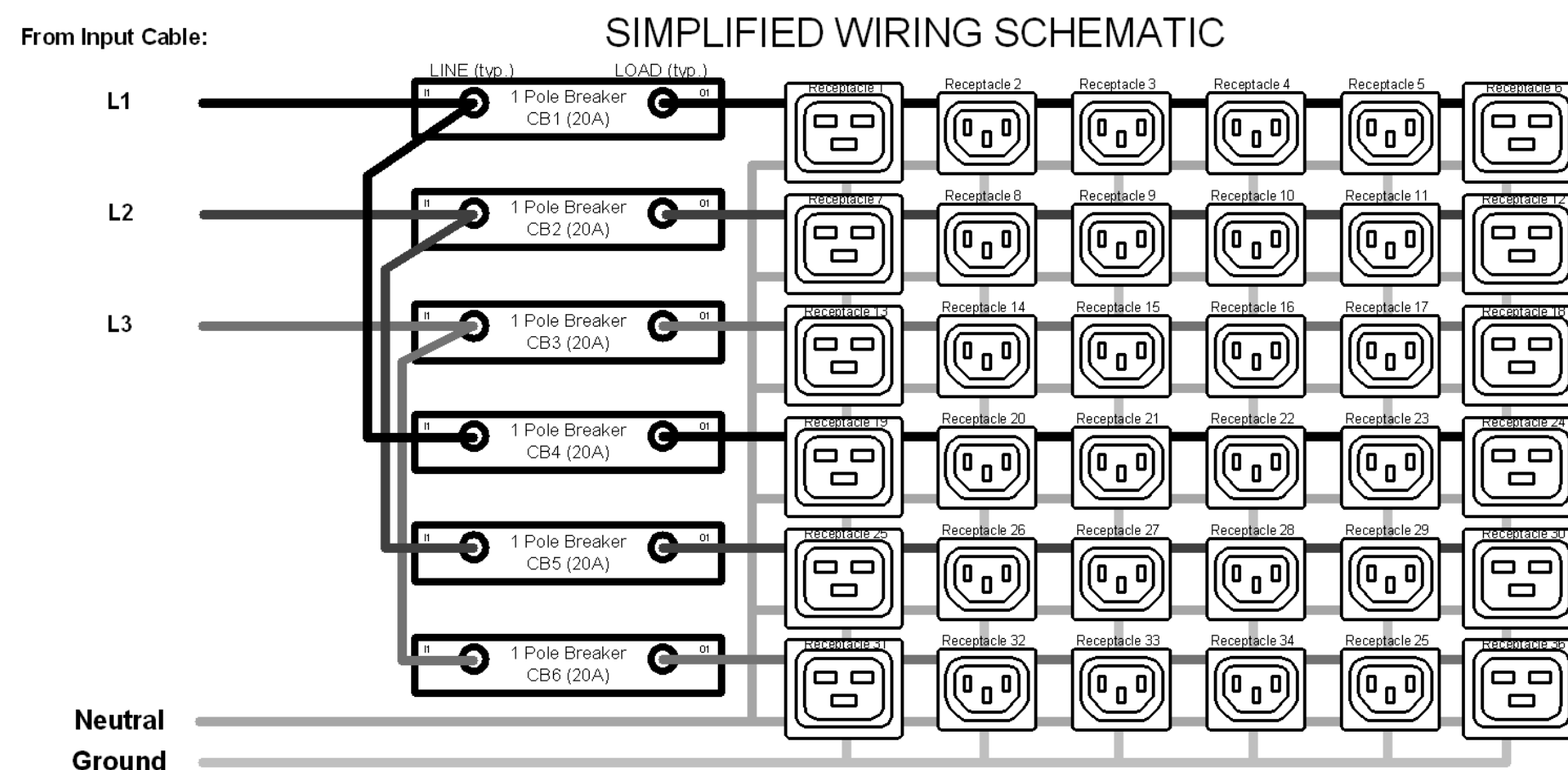
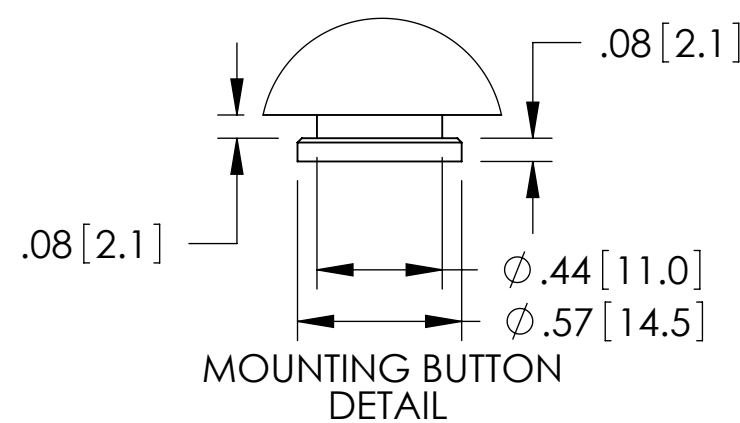
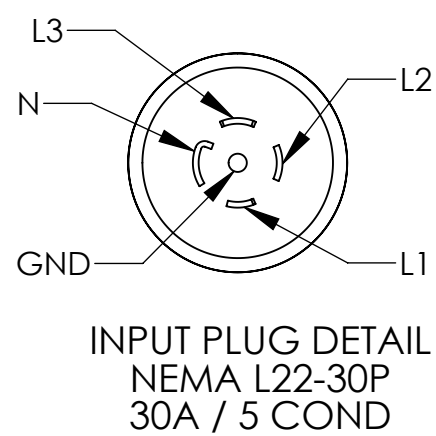


Technical Specs:	
Input Ratings	
Nominal Voltage (VAC)	240/415VAC, Three Phase, 50/60 Hz
Input Plug / Cord	NEMA L22-30, 10 ft (3m)
Current Rating	30A derated to 24A (NA)
Power Rating (kW)	17.2
Output Ratings	
Nominal Voltage (VAC)	240VAC, 50/60 Hz
Current Rating	24A per Phase
Outlet Rating	C13: 12A max, C19: 16A max
Max Current per Breaker	16A Max Unbalanced/11.9A Balanced
Outlet Combination	
Load Segment	CB1, CB2, CB3, CB4, CB5, CB6: (4) C-13 (2) C-19
PDU Total	(24) C13 (12) C19
Branch Circuit Protection	(6) 1-pole 20A UL489 Breakers
Surge Suppression	None
Features:	
Cord Retention	Locking receptacles
Mounting System	Multiple tool-less mounting button locations, A and B (see detail)
Dimensions & Weights:	
Width (In[mm])	2.35 [59.7]
Height (In[mm])	72.00 [1828.8]
Depth (In[mm])	2.11 [53.6]
Weight (lbs[kg])	18 [8.2]
Regulatory Information:	
UL & cUL Listed, IEC 60950-1, CSA C22.2, CE, RoHS, FCC Part 15 Class A, EN 55022	
Environmental Conditions:	
Operating Temperature	32 - 149F (0 - 65C)
Operating Rel Humidity	5 - 95%
Operating Elevation	0-10000 ft (0-3000 m)
Storage Temperature	-13 - 149F (-25 - 65C)
Storage Rel Humidity	5 - 95%
Storage Elevation	0-50000ft (0-15000 m)
Hardware Included:	
(2) tool less mounting buttons (1) ground kit cable	



- Notes:
- 1 All Dimension are in inches [millimeters] unless otherwise specified.
 - 2 Installation must conform with all related national and local codes.
 - 3 All Bracket kits are sold separately. Toolless mounting buttons are included for installation in CPI cabinets.
 - 4 For more information, please contact Tech Support at techsupport@chatsworth.com.

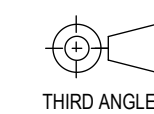
©2017 Chatsworth Products, Inc.
All rights reserved.



All products quoted are subject to availability based on manufacturing capacity and shipping dates should be considered estimates only.

eConnect Vertical (0U) PDU, Basic,
NEMA L22-30, 10 ft (3m), 240/415VAC,
Three Phase, 50/60 Hz Input, 24A per Phase,
(24) C13 (12) C19 Outlets, 240VAC,
50/60 Hz Output

While every effort has been made to ensure the accuracy of all information, CPI does not accept liability for any errors or omissions and reserves the right to change information and descriptions of listed services and products.



L1-2R0F3

SHEET 1 OF 1

ISS

A