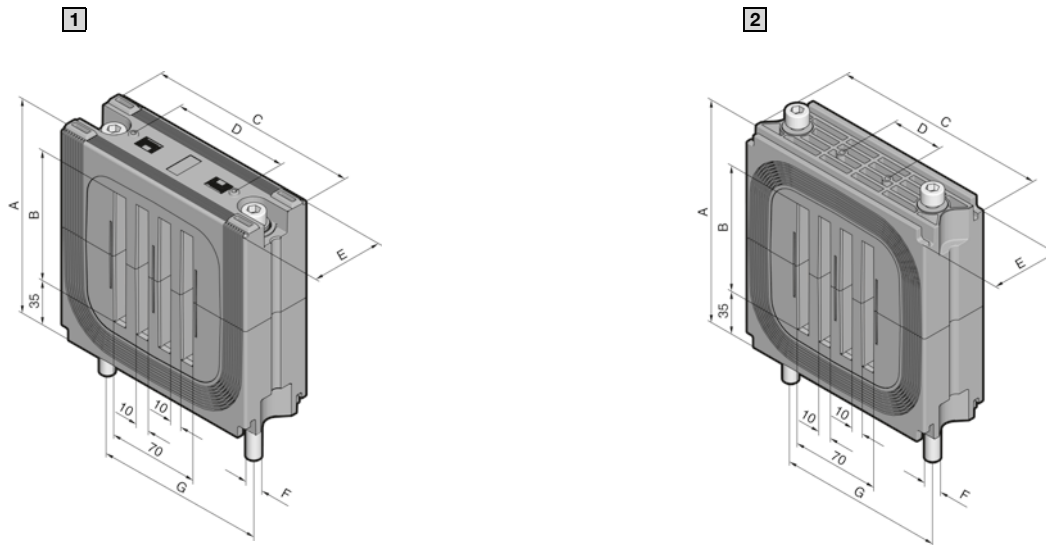


Power distribution

Flat-PLS system components

Flat-PLS 60/100



1 Busbar support Flat-PLS

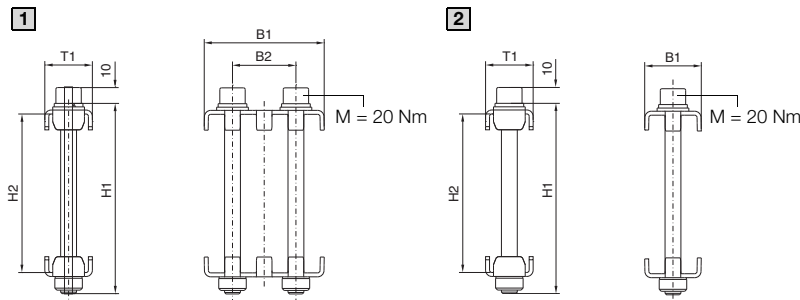
System	For busbars up to mm	A mm	B mm	C mm	D mm	E mm	F	Tightening torque	G mm	Model No. SV
Flat-PLS 60	4 x 60 x 10	127.5	60	120	70	50	M8	8 Nm	100	9676.002
Flat-PLS 100	4 x 100 x 10	162.5	100	165	90	55	M10	9 Nm	125	9676.004

2 Busbar support Flat-PLS for stabiliser bar

System	For busbars up to mm	A mm	B mm	C mm	D mm	E mm	F	Tightening torque	G mm	Model No. SV
Flat-PLS 60	4 x 60 x 10	130	60	120	70	50	M8	10 Nm	100	9676.020
Flat-PLS 100	4 x 100 x 10	170	100	165	90	55	M10	12 Nm	125	9676.021

Flat-PLS 60/100

Busbar claw

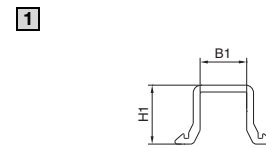


Model No. SV	B1 mm	B2 mm	H1	H2	T1 mm
9676.017 [2]	35.7	–	1)	+2/-3 ²⁾	30
9676.019 [1]	75.7	40	1)	+2/-3 ²⁾	30

1) Length of screw to be ordered separately

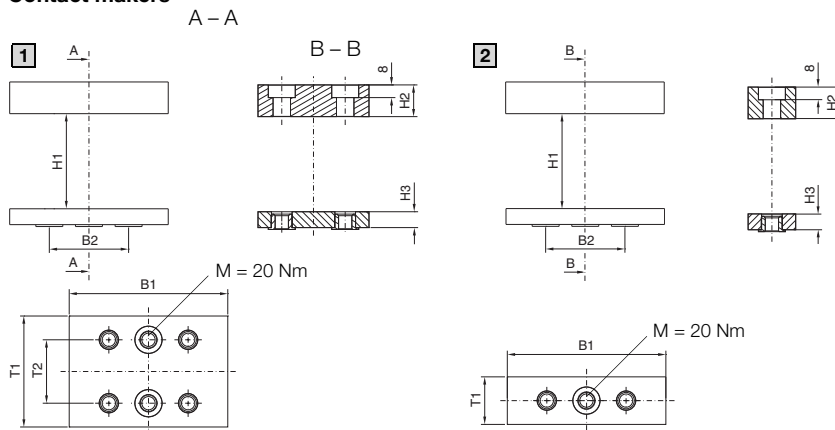
2) In relation to the required screw $H2 = H1 - 20$ ($H1 \triangleq$ length of screw)

Edge cover section without spacer



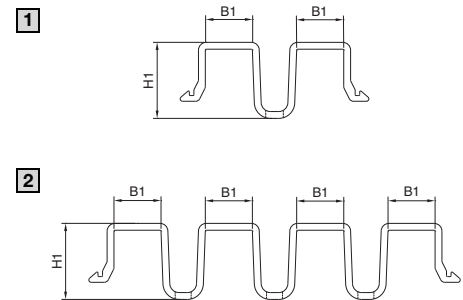
Model No. SV	B1 mm	H1 mm
9676.041 [1]	10.2	12.9

Contact makers



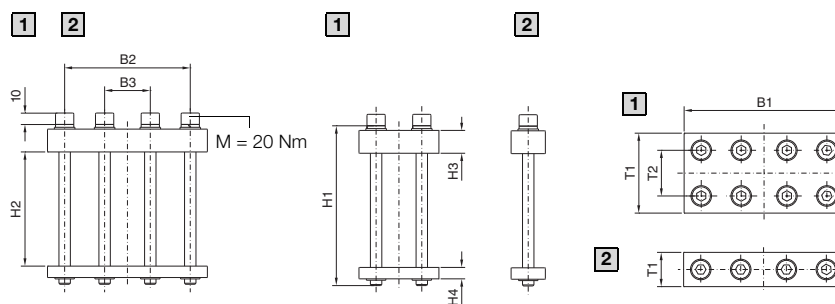
Model No. SV	B1 mm	B2 mm	H1 mm	H2 mm	H3 mm	T1 mm	T2 mm
9676.526 [2]	60	36	40 – 100	20	10	30	–
9676.546 [1]	60	36	40 – 100	20	10	70	40
9676.528 [2]	80	50	40 – 100	20	10	30	–
9676.548 [1]	80	50	40 – 100	20	10	70	40
9676.520 [2]	100	50	40 – 100	20	10	30	–
9676.540 [1]	100	50	40 – 100	20	10	70	40

Edge cover section with spacer



Model No. SV	B1 mm	H1 mm
9676.052 [1]	10.3	16.6
9676.054 [2]	10.3	16.6

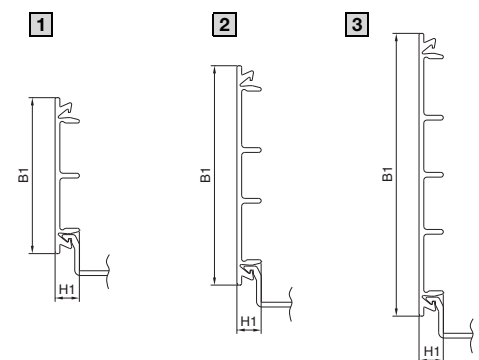
Longitudinal connectors



Model No. SV	B1 mm	B2 mm	B3 mm	H1 mm	H2 mm	H3 mm	H4 mm	T1 mm	T2 mm
9676.621 [2]	140	110	40	1)	H1 – 40	20	10	30	–
9676.641 [1]	140	110	40	1)	H1 – 40	20	10	70	40

1) Length of screw (to be ordered separately)

Side cover section



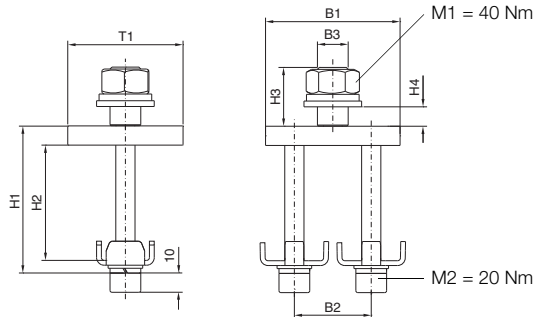
Model No. SV	B1 mm	H1 mm
9676.056 [1]	49.2	7.6
9676.058 [2]	69.2	7.6
9676.059 [3]	89.2	7.6

Power distribution

Flat-PLS system components

Flat-PLS 60/100

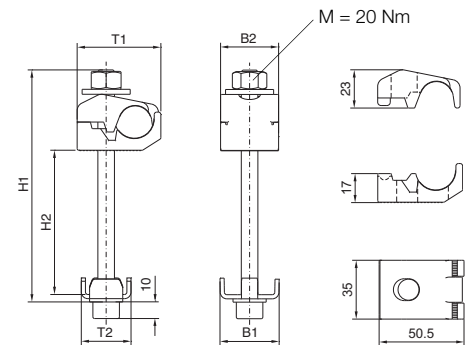
Connection plates with bolts M12/M16



Model No. SV	B1 mm	B2 mm	B3 mm	H1	H2 mm	H3 mm	H4 mm	T1 mm
9676.700	70	40	M12	¹⁾	H1 - 21.5	30.6	15.6	60

¹⁾ Length of screw (to be ordered separately)

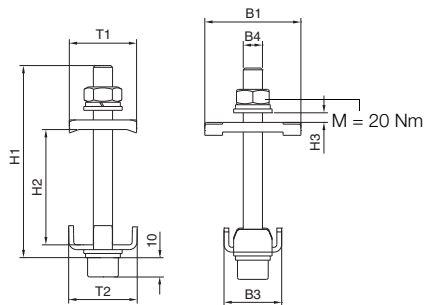
Direct connection terminals



Model No. SV	B1 mm	B2 mm	H1	H2 mm	T1 mm	T2 mm
9676.730	35.7	35	¹⁾	H1 - 60	50.5	30

¹⁾ Length of screw (to be ordered separately)

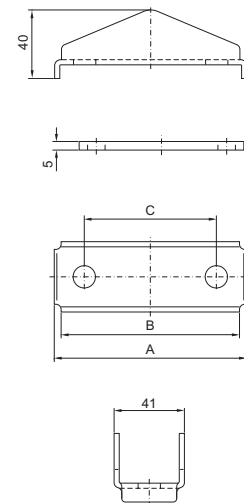
Connection plates with bolts M10



Model No. SV	B1 mm	B2 mm	B3 mm	B4 mm	B5 mm	H1	H2 mm	H3 mm	T1 mm	T2 mm
9676.710	50	-	30	M10	-	¹⁾	H1 - 40	5	35	35.7

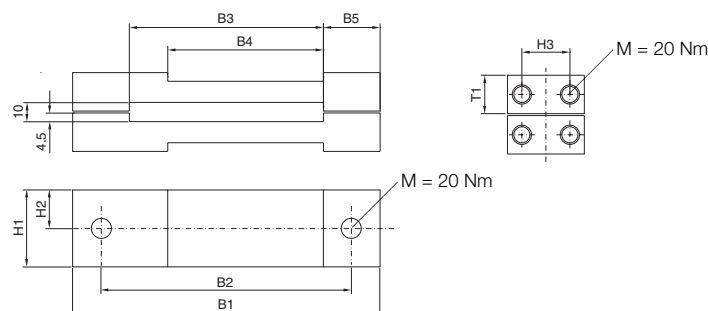
¹⁾ Length of screw (to be ordered separately)

Connection plates for laminated copper bars



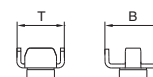
Model No. SV	A mm	B mm	C mm	Tightening torque
9676.747	81	73	46	20 Nm
9676.748	112	104	77	25 Nm
9676.749	149	141	114	30 Nm

Terminal block, distribution busbar



Model No. SV	B1 mm	B2 mm	B3 mm	B4 mm	B5 mm	H1 mm	H2 mm	H3 mm	T1 mm
9674.485	160	130	61	51	29.5	40	20	25	20
9674.488	160	130	101	81	29.5	40	20	25	20

Claw with threaded insert M10



Model No. SV	W (B) mm	D (T) mm	Tightening torque Nm
9676.832	37.5	30	20 Nm