
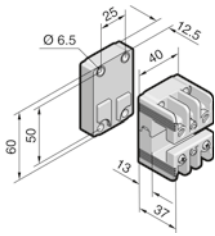
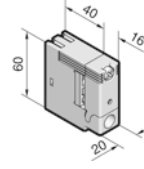
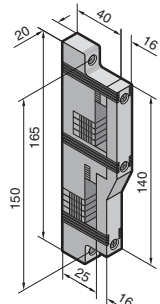


Busbar supports 1- and 2-pole

Note: SV 9340.030/SV 9342.030 – The busbar supports may be bayed with 60 mm bar centre distance for the configuration of multi-pole systems – UL approval only applies in conjunction with AC application Approvals:  E191125			
	Number of poles	1-pole	1-pole
Bar centre distance mm	–	–	60
For busbars E-Cu	PLS 1600	–	–
Rated operating voltage	1000 V AC 1500 V DC	12 x 5/10 ¹⁾ , 15 x 5 – 30 x 10 mm 1000 V AC 1500 V DC	12 x 5 – 30 x 10 mm 1000 V AC –
PEN/N/PE support	■	■	■
N/PE support	–	–	■
Model No. SV	9342.030 (UL)	9340.030 (UL)	9340.040 (UL)

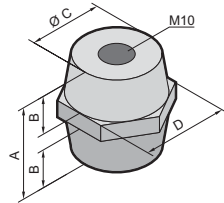
Assembly data for applications to IEC (EN)

Tightening torque Nm	M6 x 20/M6 x 35 ²⁾	M5 x 25	M5 x 16
– Assembly screw	5	5	5
– Cover attachment	0.7	3	3

¹⁾ If 12 x 5/10 mm busbars are used, the spacer SV 9340.090 is additionally required

²⁾ 35 mm when using the additional raised section


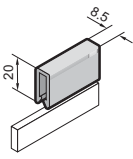
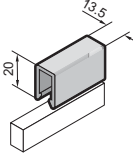
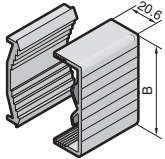
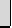

Base isolators

		
Rated operating voltage kV	1	1
Power frequency withstand voltage kV	20	37
Impulse withstand voltage kV	12	12
Creep resistance	EN 60 112, CTI 600	EN 60 112, CTI 600
Tensile strength kN	12	13
Torsional strength Nm	75	90
Bending strength kN	6	6
Tightening torque Nm	40	40
A mm	40	50
B mm	15	19
Ø C mm	32	42
D mm	SW 36	SW 50
Model No. SV	3031.000	3032.000


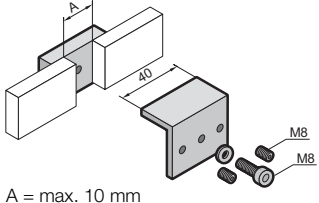
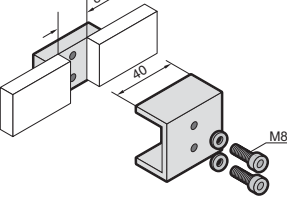
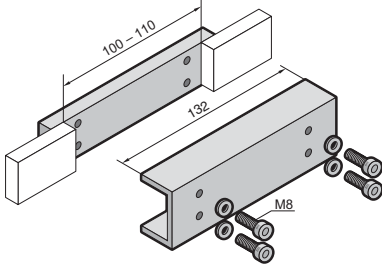



Power distribution

RiLine accessories: Busbars

Busbar cover sections

Approvals:  E191125				
For busbars mm	12/15 x 5	12/15 x 10	12 x 5 – 30 x 10	40 – 60 x 10
Width (B) mm	–	–	40.6	70.6
Model No. SV	9350.010	9350.060	3092.000 	3085.000 

Busbar connectors


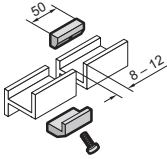
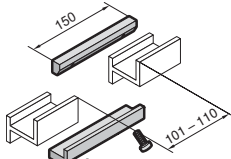




Approvals:  E191125	 <p>A = max. 10 mm</p>		
For busbars mm	12 x 5 – 15 x 10	20 x 5 – 30 x 10	20 x 5 – 30 x 10
For application	Single connection	Single connection	Bayed connection ¹⁾
Model No. SV	9350.075 	9320.020 	9320.030 

Assembly data for applications to IEC (EN)/UL

Tightening torque Nm			
– Screw M8	5	20	20
– Grub screw M8	15	–	–
Max. busbar offset	–	4	5

¹⁾ From enclosure to enclosure

PLS busbar connectors


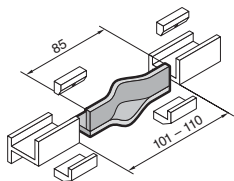
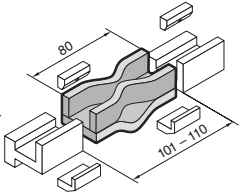


Approvals:  E191125				
For application	Single connection		Bayed connection ¹⁾	
For system	PLS 800	PLS 1600	PLS 800	PLS 1600
Model No. SV	3504.000 	3514.000 	3505.000 	3515.000 

Assembly data for applications to IEC (EN)/UL

Tightening torque Nm				
– Screw M8	15	–	15	–
– Screw M10	–	20	–	20
Max. busbar offset	4	5	4	5

¹⁾ From enclosure to enclosure

PLS expansion connectors

<p>Note: – At a temperature increase of 30 K, there is an expansion in the length of the busbars by approximately 0.5 mm/m. For this reason, it is advisable to use an expansion connector for thermal compensation in busbar systems with busbar sections > 3600 mm</p> <p>Approvals:  E191125</p>		
For system	PLS 800	PLS 1600
Model No. SV	9320.060 	9320.070 
Also required		
PLS busbar connectors ¹⁾	3504.000	3514.000

¹⁾ Two busbar connectors are needed to fit one expansion connector