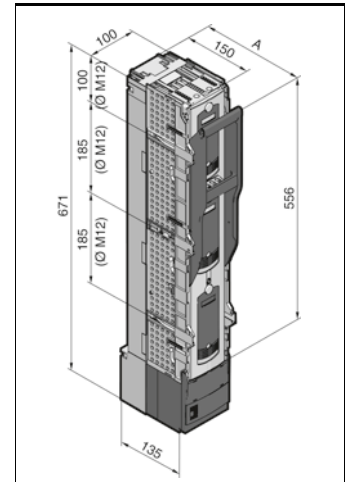
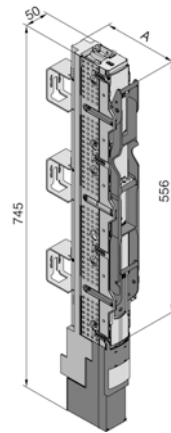
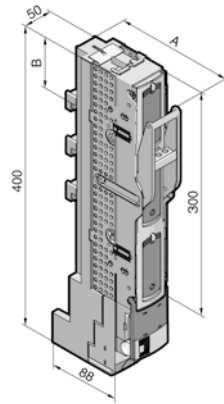


NH slimline fuse-switch disconnectors, size 00 – 3

3-pole, cable outlet at the top/bottom

Note:

- For the use of fuse inserts to EN 60 269-2
- Technical specifications to IEC/EN 60 947-3, see chapter 2-116, page 3
- Load factor, see chapter 2-101, page 4
- Current carrying capacity of connection cables, see chapter 2-101, page 5
- Use of semi-conductor fuses, see chapter 2-101, page 6



Size	Size 00					Size 00	
Rated operating current max.	160 A					160 A	
Rated operating voltage	690 V AC					690 V AC	
Cover position (A) mm	Closed					123	
	Off-load position					183	
Support point (L1) W mm	84	30	84	30	30	-	-
For converter installation	-	-	-	-	■	-	■
For bar centre distance mm	60	100	60	100	100	185	185
Model No. SV	9346.000	9346.020	9346.010	9346.030	9346.060	9346.040	9346.050

Size 1	Size 2	Size 3
250 A	400 A	630 A
690 V AC	690 V AC	690 V AC
190	190	190
260	260	260
-	-	-
■	■	■
185	185	185
9346.110	9346.210	9346.310

Assembly data for applications to IEC (EN)

Tightening torque Nm	- Bar attachment	6	6	12	12
	- Terminal screw	4.5	14	14	14
Type of connection	Box terminal	Screw M8		Screw M8	Screw M8
Conductor connection re/rm Cu mm ²	2.5 – 95	-		-	-
Conductor connection with ring terminal mm ²	-	2.5 – 95		2.5 – 95	2.5 – 95
Minimum distance to conductive earthed parts mm	Side	50	50	50	50
	Top	100	100	100	100
	Rear	0	0	0	0

40	40	40
32	32	32
Bolt M12	Bolt M12	Bolt M12
-	-	-
6 – 240	6 – 240	6 – 240
10	10	10
50	50	50
0	0	0

Material specifications

Contact track: E-Cu, silver-plated	■	■	■	■
Terminal: Sheet steel, zinc-plated	■	-	-	-

■	■	■
-	-	-

Power distribution

RiLine fuse elements

NH slimline fuse-switch disconnectors, size 00 – 3 with electronic fuse monitoring

3-pole, cable outlet at the top/bottom

Note:

- For the use of fuse inserts to EN 60 269-2
- Technical specifications to IEC/EN 60 947-3, see chapter 2-116, page 3
- Load factor, see chapter 2-101, page 4
- Current carrying capacity of connection cables, see chapter 2-101, page 5
- Use of semi-conductor fuses, see chapter 2-101, page 6

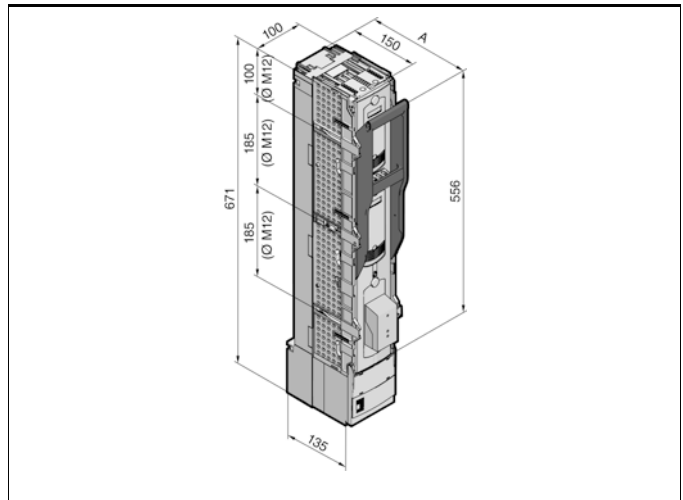
Size	Size 00	
Rated operating current max.	160 A	
Rated operating voltage	690 V AC	
For bar centre distance mm	60	
Cover position (A) mm	Closed	123
	Off-load position	183
Support point (L1) W mm	84	
For converter installation	–	
Model No. SV	9646.015	

Assembly data for applications to IEC (EN)

Tightening torque Nm	– Bar attachment	6
	– Terminal screw	4.5
Type of connection		Screw M8
Conductor connection re/rm Cu mm ²		2.5 – 95
Conductor connection with ring terminal mm ²		2.5 – 95
Minimum distance to conductive earthed parts mm	Side	50
	Top	100
	Rear	0

Material specifications

Contact track: E-Cu, silver-plated	■
------------------------------------	---



Size 1	Size 2	Size 3
250 A	400 A	630 A
690 V AC	690 V AC	690 V AC
185	185	185
190	190	190
260	260	260
–	–	–
■	■	■
9346.115	9346.215	9346.315

40	40	40
32	32	32
Bolt M12	Bolt M12	Bolt M12
–	–	–
6 – 240	6 – 240	6 – 240
10	10	10
50	50	50
0	0	0

■	■	■
---	---	---

NH slimline fuse-switch disconnectors, size 00 – 3

Technical specifications to IEC/EN 60 947-3					
Size (NH fuse inserts to IEC/EN 60 269-2)		00	1	2	3
Rated operating current I_e		160 A	250 A	400 A	630 A
Rated operating voltage U_e		690 V AC	690 V AC	690 V AC	690 V AC
Rated insulation voltage U_i		1000 V	1000 V	1000 V	1000 V
Rated impulse withstand voltage U_{imp}		8 kV	8 kV	8 kV	8 kV
Pollution degree		3	3	3	3
Overvoltage category		III	III	III	III
Rated frequency		50/60 Hz	50/60 Hz	50/60 Hz	50/60 Hz
Conditional rated short-circuit current (when protected with fuse inserts)	at 500 V AC	100 kA	120 kA	120 kA	120 kA
	at 690 V AC	100 kA	100 kA (with 200 A)	100 kA (with 315 A)	100 kA (with 500 A)
Utilisation category	400 V AC	AC-23B with 160 A	AC-23B with 250 A	AC-23B with 400 A	AC-23B with 630 A
	500 V AC	AC-22B with 160 A	AC-22B with 250 A	AC-22B with 400 A	AC-22B with 630 A
	690 V AC	AC-22B with 160 A	AC-21B with 250 A	AC-21B with 400 A	AC-21B with 630 A
	1000 V DC ¹⁾²⁾	DC-20B	DC-20B	DC-20B	DC-20B
Rated short-time withstand current I_{cw}		5 kA	10 kA	15 kA	20 kA
Mechanical life (switching cycles)		1400	1400	800	800
Contact hazard protection – operating area		IP 3X	IP 2X	IP 2X	IP 2X
Siting conditions	Interior siting: Rel. humidity 50% at 40°C or 90% at 20°C (without condensation due to temperature fluctuations)				
Permissible ambient temperature	-20°C to +60°C				
P_{Vmax} /fuse insert		12 W	23 W	34 W	48 W

¹⁾ DC applications with configuration of phase L1 and L3 in series

²⁾ For use as disconnector or fuse-switch disconnector. The required creepage distances and clearances must be observed in the cable connection area

Notes:

- Vertical installation is the typical position of use
- When using semi-conductor fuses, reduction factors should be taken into account

NH slimline fuse-switch disconnectors, size 00 – 3

Conductor connection of several ring terminals

Size	Size 00	Size 1	Size 2	Size 3
Conductor cross-section (mm ²)	Number of ring terminals to DIN 46 235			
16	2	–	–	–
25	2	–	–	–
35	2	–	–	–
50	–	–	–	–
70	–	–	–	–
95	–	–	–	–
120	–	2	2	2
150	–	2	2	2
185	–	2	2	2
240	–	2	2	2
300	–	–	–	–

Note:

- The creepage distances and clearances to EN 60 664-1 should be checked and, where necessary, insulating plates installed
- Fine-wire only with wire end ferrule

Power distribution

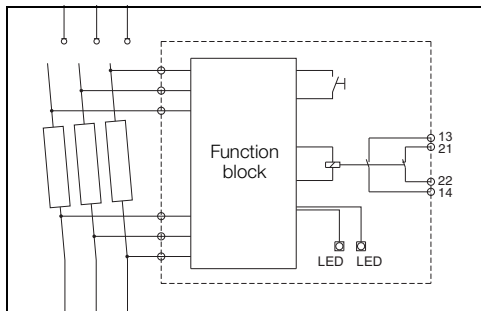
RiLine fuse elements

NH slimline fuse-switch disconnectors, size 00 – 3

Electronic fuse monitoring

Technical specifications	Electronic fuse monitoring
Rated operating voltage U_e	400 V AC to 690 V AC
Tolerance	$\pm 10\%$ (400/500 V AC) $+5\%/-10\%$ (690 V AC)
Rated insulation voltage U_i	1000 V AC
Rated impulse withstand voltage U_{imp}	8 kV
Rated frequency	50 – 60 Hz
Response time	Max. 1.5 s
Auxiliary contacts	1 NO, 1 NC 250 V AC, 30 V DC, 5 A
Load capacity of auxiliary contacts	5 A
Permissible ambient temperature	-20°C to +55°C (400/500 V AC), -20°C to +45°C (690 V AC)
Display	LED flashing green (operational) 13/14: open 21/22: closed LED flashing red (error message) 13/14: closed 21/22: open
Connection of auxiliary contacts	Terminal up to 1.5 mm ²
NH fuse inserts to IEC/EN 60 269-3	With contacted, live puller lugs
Material	Contact blades: E-Cu, tin-plated
Function	Differential voltage

Wiring diagram



Electronic fuse monitoring