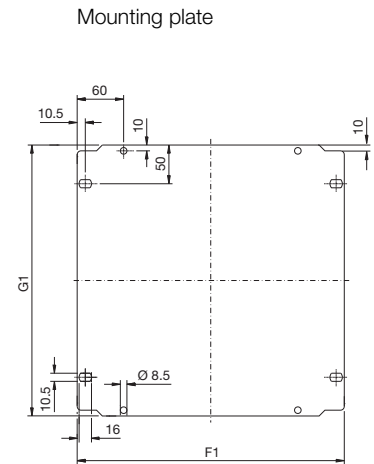
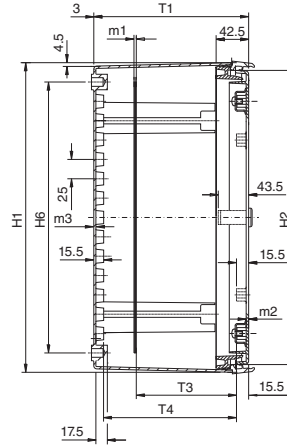
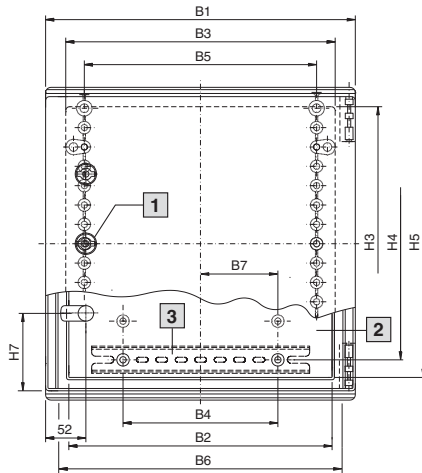


Enclosures

Ex enclosures KEL

Plastic

KS 9201.600
with only one cam lock in the centre



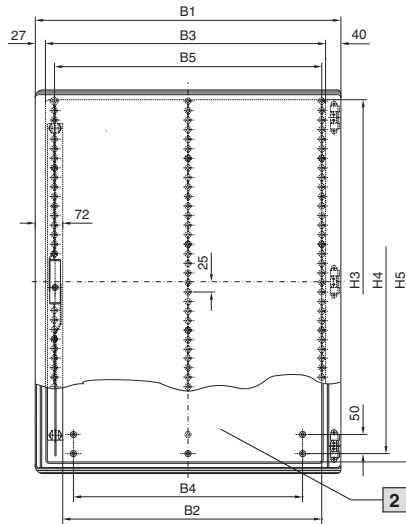
B6 = Separation width for wall mounting hole
H6 = Separation height for wall mounting hole

- 1 KEL 9201.600 only
- 2 Door interior view
- 3 Top hat rail TS 35/15 (2 x) for KEL 9206.600 and KEL 9207.600

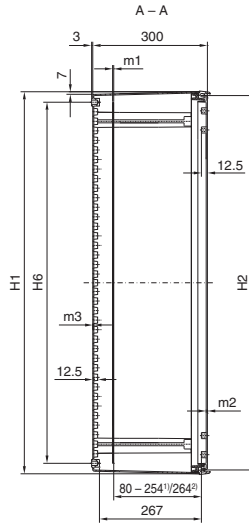
Model No. KEL	Width dimensions mm							Height dimensions mm							Depth dimensions mm			Material thickness mm			Mounting plates mm	
	B1	B2	B3	B4	B5	B6	B7	H1	H2	H3	H4	H5	H6	H7	T1	T3	T4	m1	m2	m3	F1	G1
9201.600	200	140	150	-	100	150	25	300	280	256	200	245	250	100	150	80 - 110/117	119	2.0	3.0	3.0	145	250
9202.600	250	190	200	75	150	200	50	350	330	306	250	295	300	80	150	80 - 110/117	119	2.0	3.0	3.0	195	300
9203.600	300	240	249	100	200	250	50	400	380	355	300	345	350	100	200	80 - 160/167	169	2.0	3.0	3.0	245	350
9204.600	400	340	348	200	300	350	100	400	380	354	300	345	350	100	200	80 - 159/166	168.5	2.5	3.2	3.2	345	350
9205.600	400	340	348	200	300	350	100	600	580	554	500	545	550	100	200	80 - 158/165	168	2.5	3.5	3.5	345	550
9206.600	600	540	548	400	500	550	200	600	580	554	500	545	550	100	200	80 - 158/165	168	2.5	3.5	3.5	545	550
9207.600	500	440	434	300	400	450	150	500	480	454	400	445	450	100	300	80 - 258/265	268	2.5	3.5	3.5	417	450

Plastic

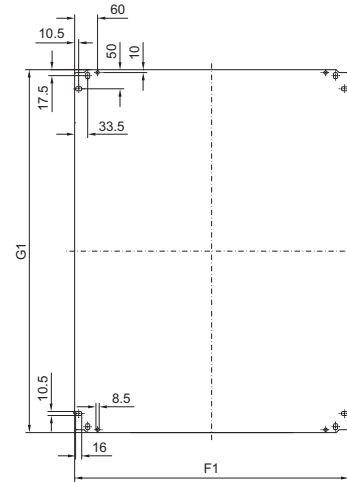
KEL 9208.600, KEL 9209.600



2 Door interior view



Mounting plate



1) Infinite with mounting plate depth adjustment KS 1491.000

2) When mounting on studs directly on the washer in front of the threaded insert

B6 = Separation width
Wall mounting hole

H6 = Separation height
Wall mounting hole

Model No. KEL	Width dimensions mm						Height dimensions mm						Material thickness mm			Mounting plates mm	
	B1	B2	B3	B4	B5	B6	H1	H2	H3	H4	H5	H6	m1	m2	m3	F1	G1
9208.600	600	485	533	400	500	550	800	780	753	700	740	750	3	3.7	3.7	517	750
9209.600	800	685	733	600	700	750	1000	980	953	900	940	950	3	3.7	4.0	717	950