

# Product Cut Sheet

## STANDARD RACK 6" D (150 MM)

Features 6" D (150 mm) upright mounting channels for MDF, IDF and other high-capacity distribution frame applications. The additional rack depth provides extra room for high-density equipment and cable needs.

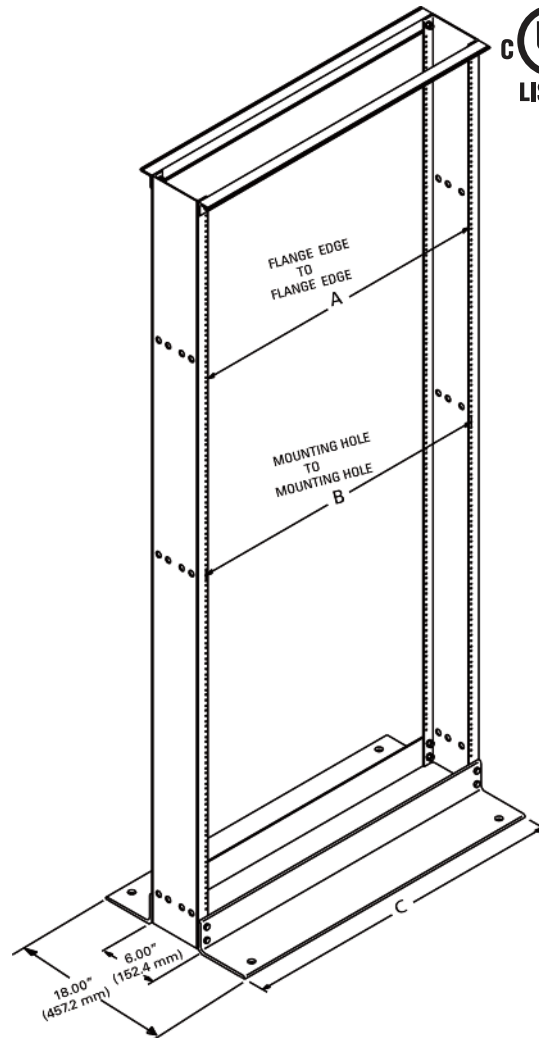
- High-strength aluminum construction
- Supplied with (2) top angles for additional strength
- EIA-310-D Standard Universal 5/8"-5/8"-1/2" (15.9 mm-15.9 mm-12.7 mm) alternating hole pattern offers greater mounting flexibility and is fully compatible with conventional wide 1-1/4"-1/2" (31.8 mm-12.7 mm) alternating hole patterns
- Rack-mount unit marks simplify equipment installation
- High-strength, roll-formed threaded mounting holes
- Integrated masked grounding studs on the inside of the rack channel for quick attachment to the Telecommunications Grounding System
- Web channel holes allow easy installation of vertical cable managers or baying of racks side-by-side
- Ships unassembled and individually packaged
- Includes assembly hardware and (50) pilot point #12-24 mounting screws with combination Phillips/Straight heads
- Weight capacity 1000 lb (453.6 kg) — weight must be evenly distributed and rack must be properly secured to the floor
- UL Listed; File E140851; Category DUXR (US), DUXR7 (Canada) – Communications Circuit Accessory



Part Number	Description H x W Height - ft (m)	Shipping Weight lb (kg)
66353-X03	7 (2.1) x 19", 45U	38 (17.2)
66383-X03	7 (2.1) x 23", 45U	42 (19.1)
66363-X03	7 (2.1) x 35", 45U	52 (23.6)

X=Color; 1=Gray, 2=Computer Beige, 5=Clear, 7=Black, E=Glacier White

Rack Dimensions			
Dimension	19" EIA Rack in (mm)	23" EIA Rack in (mm)	35" EIA Rack in (mm)
A	17.79 (451.9)	21.79 (553.5)	33.79 (858.3)
B	18.31 (465.1)	22.31 (566.7)	34.31 (871.5)
C	20.31 (515.9)	24.31 (617.5)	36.31 (922.3)



P/N 66363 (35" W) Shown:

The 6" D (150 mm) Standard Rack is the high-capacity frame that is designed for use with cabling sections and is the basic frame around which the XLBET/MDF frames are developed.

800-834-4969 in U.S. & Canada • [www.chatsworth.com](http://www.chatsworth.com)



CHATSWORTH PRODUCTS

©2014 Chatsworth Products, Inc. All rights reserved. Chatsworth Products, CPI, CPI Passive Cooling, eConnect, MegaFrame, Saf-T-Grip, Seismic Frame, SlimFrame, TeraFrame, GlobalFrame, Cube-iT Plus, Evolution, OnTrac, QuadraRack and Velocity are federally registered trademarks of Chatsworth Products. Simply Efficient is a trademark of Chatsworth Products. All other trademarks belong to their respective companies. 04/14