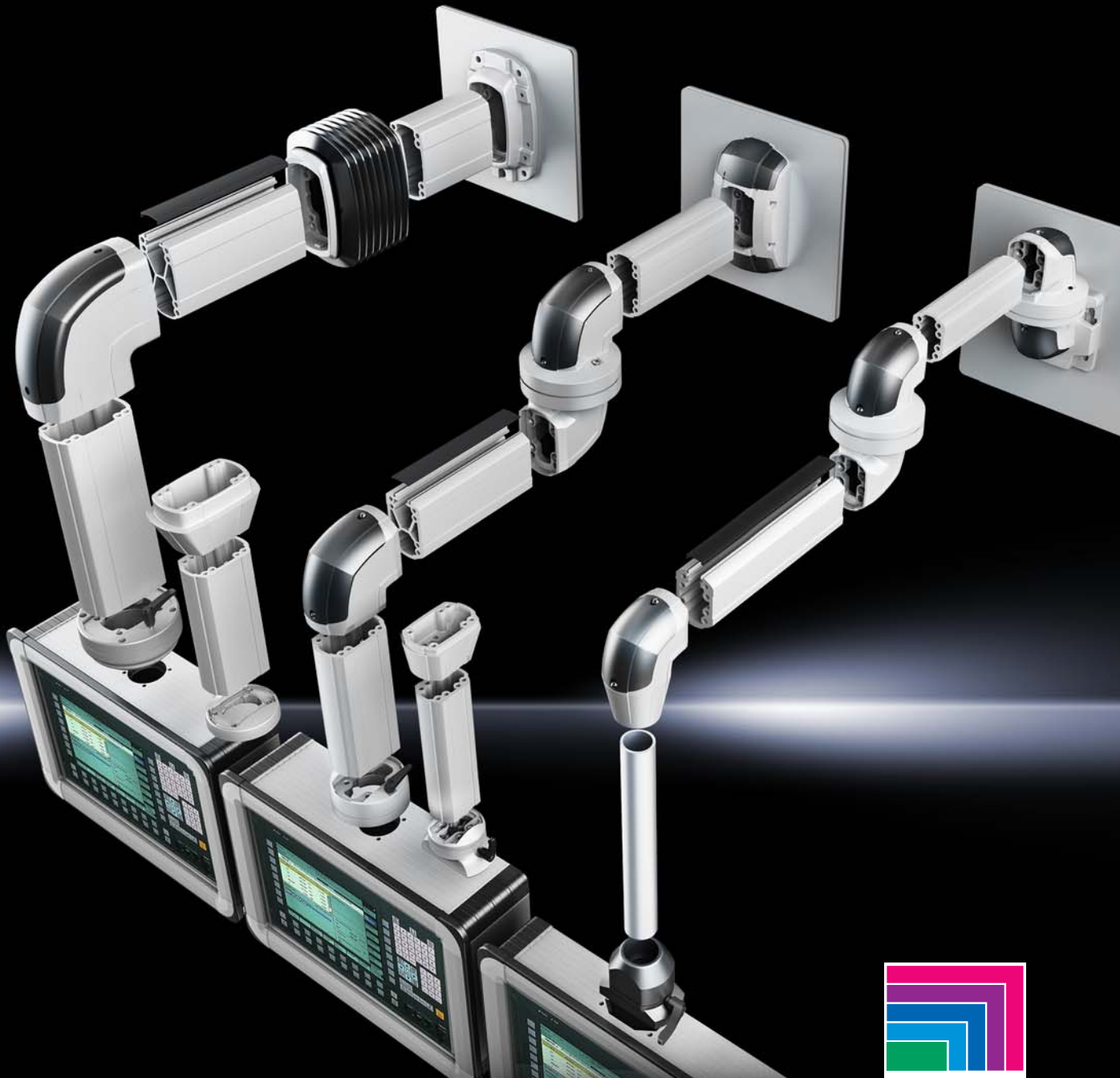


Rittal – The System.

Faster – better – everywhere.

► Technical details – Support arm and stand systems



ENCLOSURES

POWER DISTRIBUTION

CLIMATE CONTROL

IT INFRASTRUCTURE

SOFTWARE & SERVICES



FRIEDHELM LOH GROUP

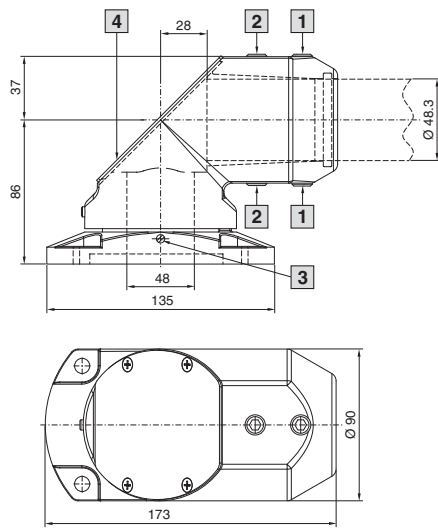
Support arm and stand systems

Contents

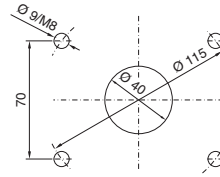
	Page
Support arm systems	
Machine/wall/base mounting bracket	
Top-mounted joint CP 40, steel	3
Wall-mounted hinge CP 40, steel	3
Wall/base mounting bracket CP 40, steel	4
Top-mounted joint CP 60/120/60, horizontal outlet	5
Top-mounted joint CP 120, vertical outlet	5
Wall-mounted hinge CP 60/120, horizontal outlet	6
Wall-mounted hinge CP 120, vertical outlet	6
Wall-mounted hinge CP 120/180	7
Wall/base mounting bracket CP 60/120/180, small	8
Wall/base mounting bracket CP 60/120, large	9
Intermediate hinges	
Intermediate hinge CP 60/120/180	10
Support sections	
Support section CP 40, steel	11
Support section CP 60/120/180, solid and open	11
Clamping element	12
Support section, height-adjustable, version 4 – 30 kg	12
Support section, height-adjustable, version 10 – 60 kg	13
Angle pieces	
Angle piece 90° CP 40, steel	14
Angle piece 90° CP 60/120/80	14
Angle adaptor 90°	15
Adaptor for support arm combination	15
Adaptors	
Tilting adaptor 10° CP 60/120 for command panels with support arm connection Ø 130 mm	16
Tilting adaptor 10° CP 60/120 for command panels with support arm connection □ 120 x 65 mm	16
Tilting adaptor +/-45° CP 60/120 for command panels with support arm connection Ø 130 mm	16
Tilting adaptor +100°/-60° for command panels with support arm connection □ 120 x 65 mm	17
Adaptor from support arm connection Ø 130 mm to □ 120 x 65 mm	17
Adaptor from support arm connection Ø 180 mm to Ø 130 mm	18
Adaptor for IP compartmentalisation	18
Adaptor for Siemens Pro-Panel	19
Adaptor CP 60 to CP 40 for stand and support arm systems	19
Enclosure connection	
Attachment CP 40, steel, for support arm connection □ 90 x 71 mm	20
Coupling CP 40, steel, for support arm connection □ 90 x 71 mm	20
Coupling CP 40, steel, for support arm connection □ 120 x 65 mm	20
Angle coupling 90° CP 40, steel, for support arm connection □ 90 x 71 mm	21
Attachment CP 60/120 for command panels with support arm connection Ø 130 mm	21
Attachment CP 60 for command panels with support arm connection □ 120 x 65 mm	21
Coupling CP 60/120/180 for command panels with support arm connection Ø 130 mm/Ø 180 mm	22
Coupling CP 60 for command panels with support arm connection □ 120 x 65 mm	22
Angle coupling 90° CP 60/120 for command panels with support arm connection Ø 130 mm	23
Connection console VESA 75/100	23
Connection console	24
Pivot with/without jib	24
Connection plates with reinforcement plate	25
Housing coupling for desktop mounting	25
Stand systems	
Pedestal, modular	26
Pedestal, complete	27
Pedestal, open	28
Pillar, small	28
Enclosure reinforcement	29

Top-mounted joint CP 40, steel

CP 6501.160



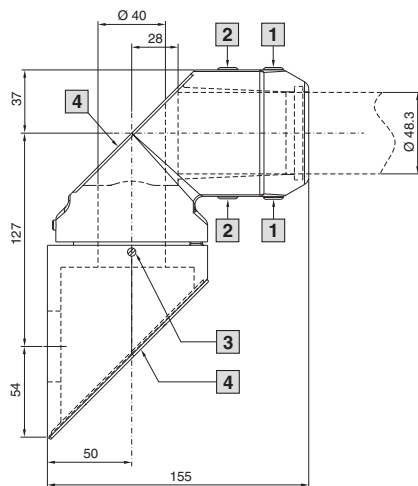
Mounting cut-out



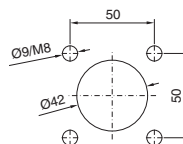
- 1 Locking screw
- 2 Adjusting screw
- 3 Screw for adjusting rotatability
- 4 Removable plate

Wall-mounted hinge CP 40, steel

CP 6501.150



Mounting cut-out 90°



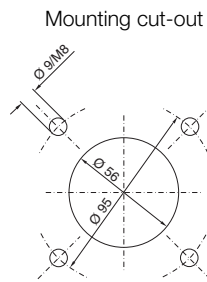
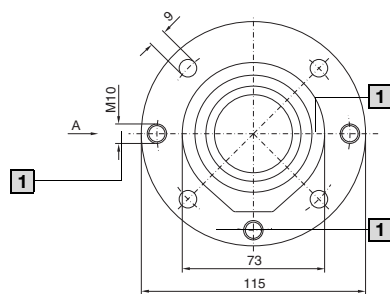
- 1 Locking screw
- 2 Adjusting screw
- 3 Screw for adjusting rotatability
- 4 Removable plate

Support arm systems

Machine/wall/base mounting bracket

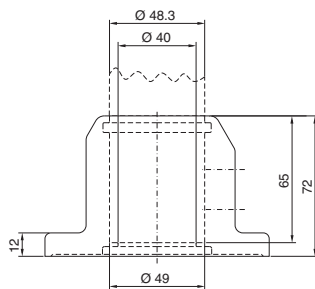
Wall/base mounting bracket CP 40, steel

CP 6501.110



1 Adjusting screw

View A

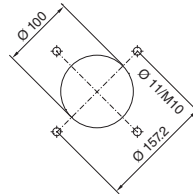
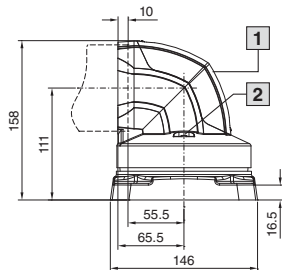


Top-mounted joint CP 60/120/180

Horizontal outlet

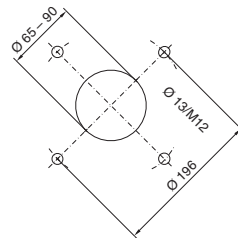
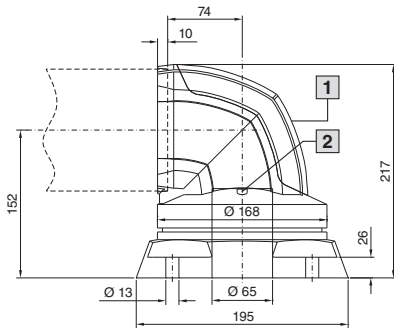
CP 6206.700

Mounting cut-out



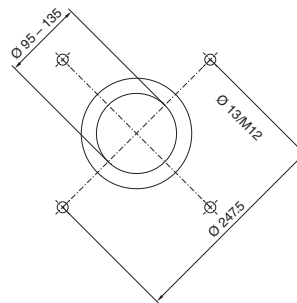
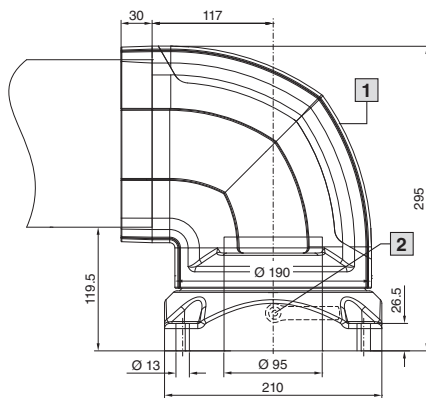
CP 6212.700

Mounting cut-out



CP 6218.700

Mounting cut-out



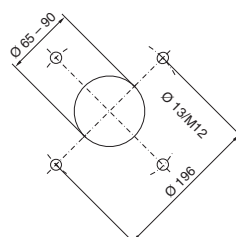
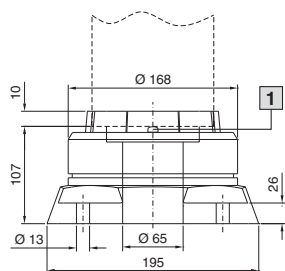
- 1 Removable cover
- 2 Screw for adjusting rotatability

Top-mounted joint CP 120

Vertical outlet

CP 6212.720

Mounting cut-out



- 1 Screw for adjusting rotatability

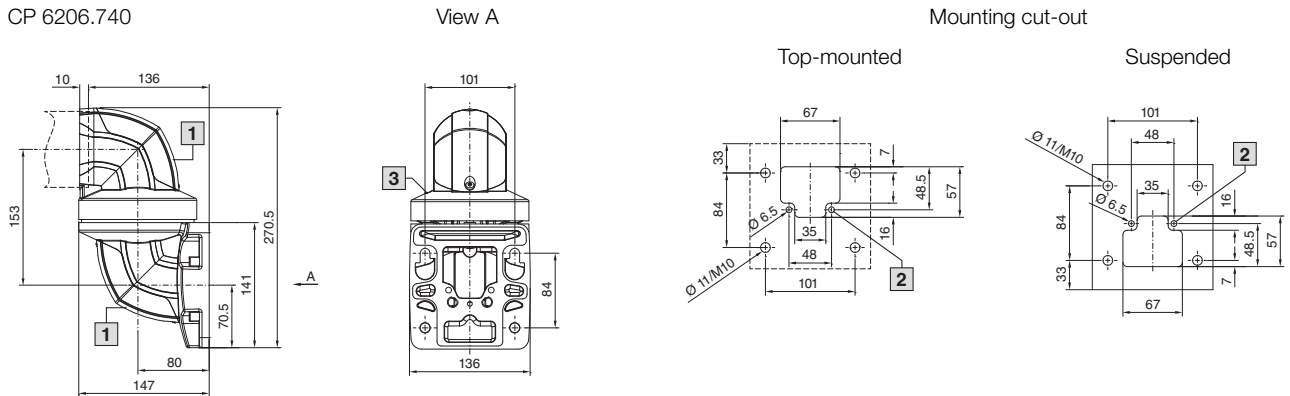
Support arm systems

Machine/wall/base mounting bracket

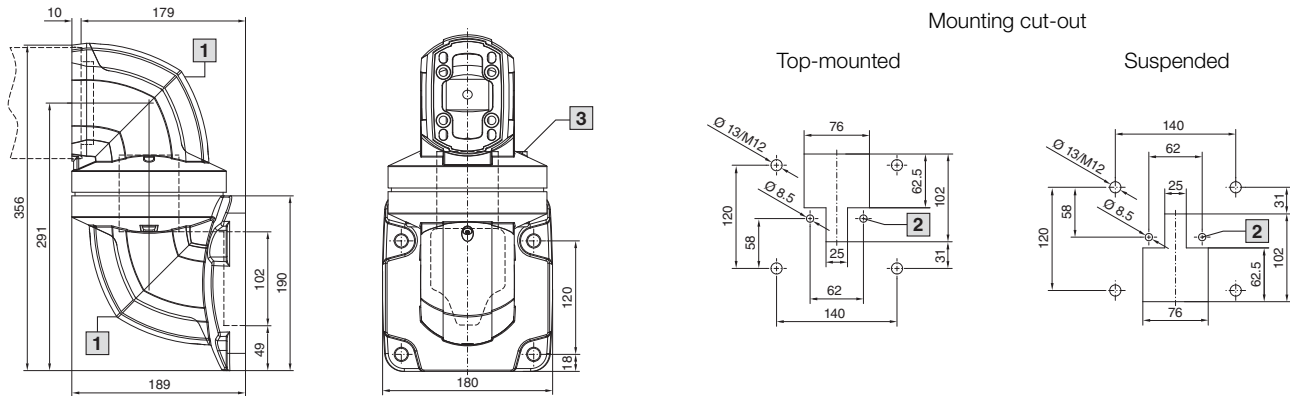
Wall-mounted hinge CP 60/120

Horizontal outlet

CP 6206.740



CP 6212.740

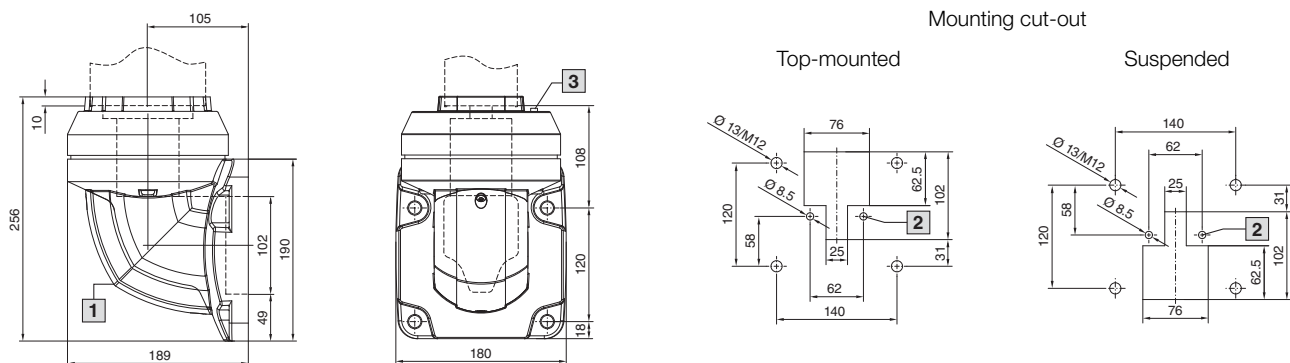


- 1 Removable cover
- 2 For attachment using pins
- 3 Screw for adjusting rotatability

Wall-mounted hinge CP 120

Vertical outlet

CP 6212.760

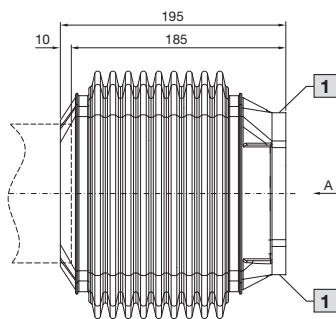


- 1 Removable cover
- 2 For attachment using pins
- 3 Screw for adjusting rotatability

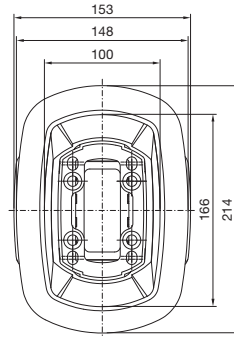
Wall-mounted hinge CP 120/180

Horizontal outlet, without height offset

6212.780

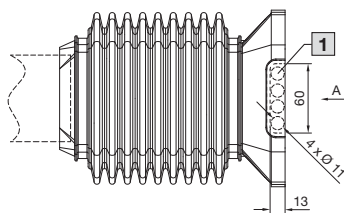


View A

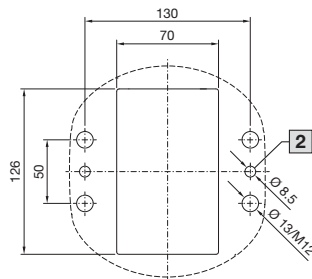


Rotation range: approx. 180°
Rotation range restrictor: ±30°, 60°, 90°

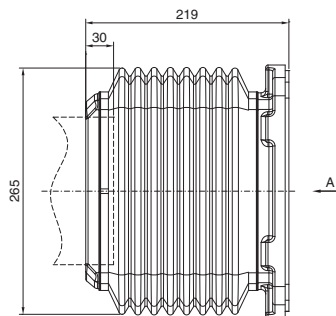
- 1 Cable entry from the outside possible
- 2 For attachment using pins



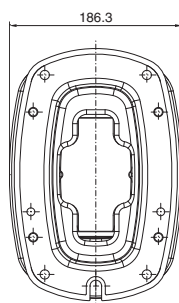
Mounting cut-out



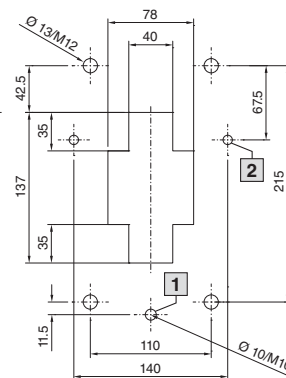
CP 6218.740



View A



Mounting cut-out



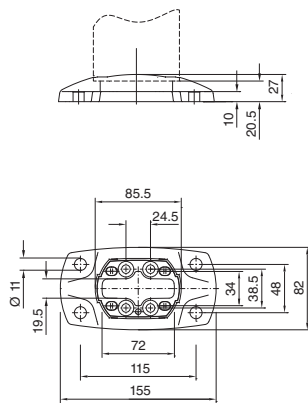
- 1 Removable cover
- 2 For attachment using pins

Support arm systems

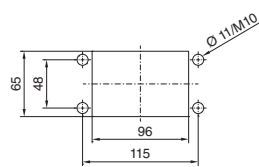
Machine/wall/base mounting bracket

Wall/base mounting bracket CP 60/120/180, small

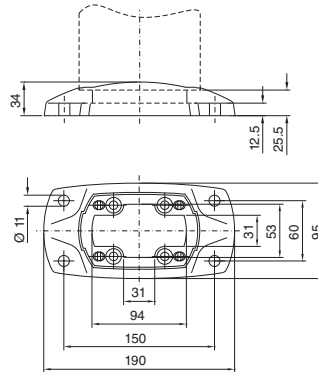
CP 6206.820



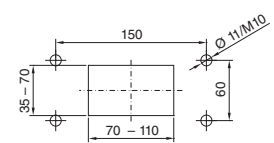
Mounting cut-out



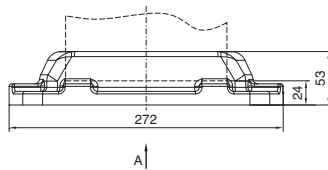
CP 6212.820



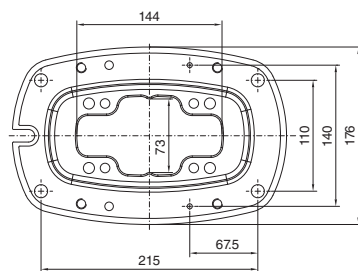
Mounting cut-out



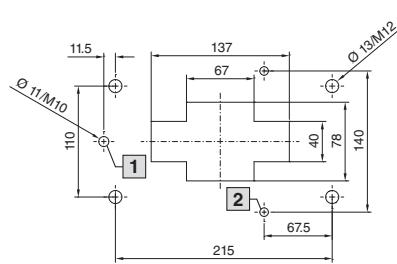
CP 6218.820



View A



Mounting cut-out

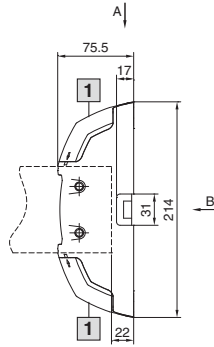
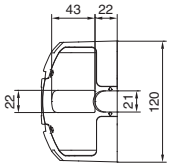


- 1 Mounting aid
- 2 For attachment using pins

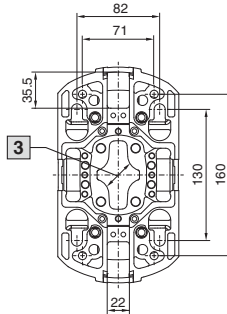
Wall/base mounting bracket CP 60/120, large

CP 6206.800

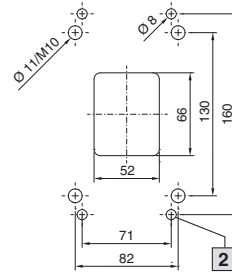
View A



View B



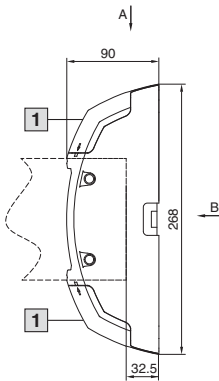
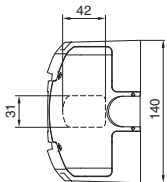
Mounting cut-out



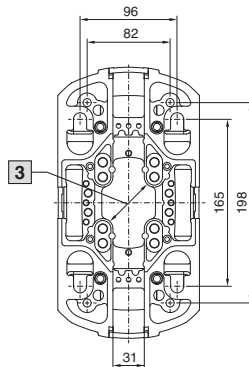
- 1 Removable cover
- 2 For attachment using pins
- 3 Max. Ø 52 mm

CP 6212.800

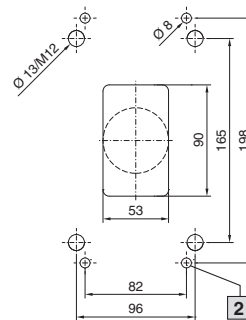
View A



View B



Mounting cut-out

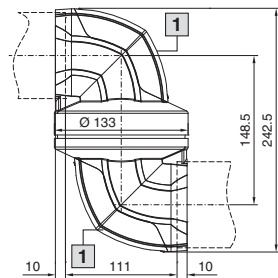


Support arm systems

Intermediate hinges

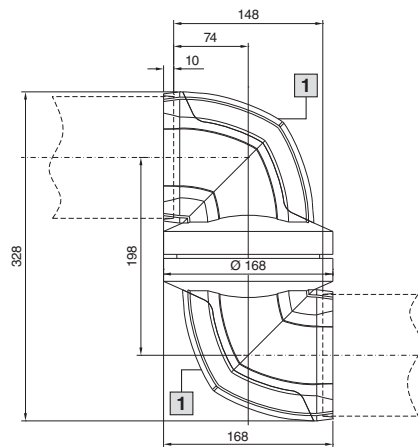
Intermediate hinge CP 60/120/180

CP 6206.620

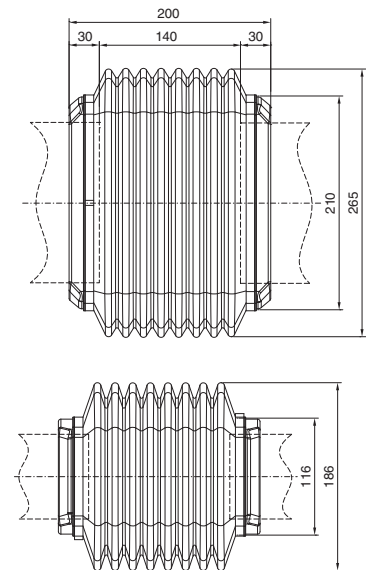


1 Removable cover

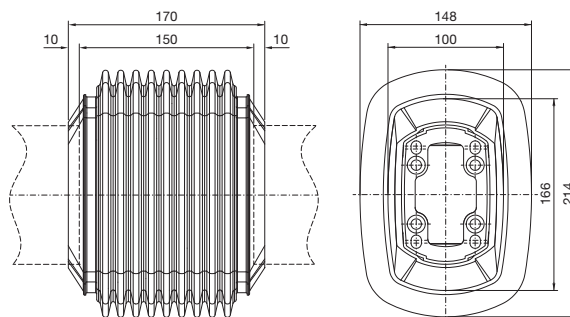
CP 6212.620



CP 6218.620

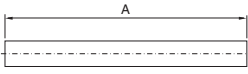


CP 6212.680



Rotation range: approx. 180°
Rotation range restrictor: ±30°, 60°, 90°

Support section CP 40, steel



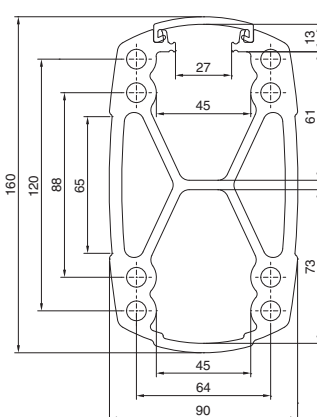
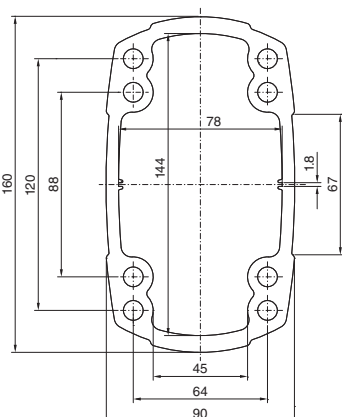
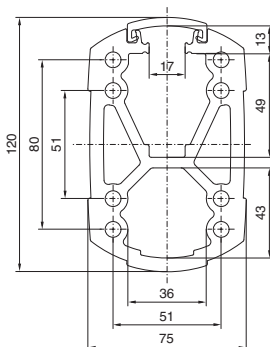
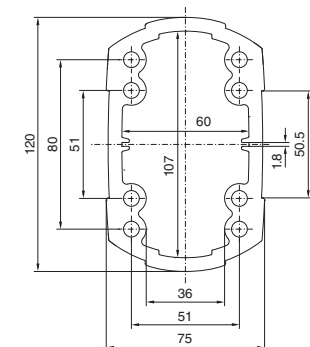
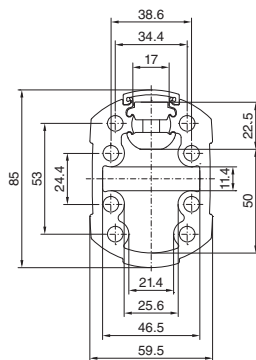
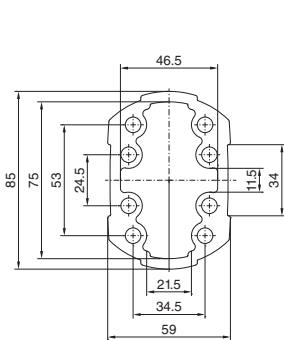
A mm	Model No. CP
500	6501.000
1000	6501.020

$A_{\min.} = 100 \text{ mm}$
 $A_{\max.} = 2000 \text{ mm}$

Support section CP 60/120/180, solid and CP 60/120/180, open

Support section solid

Support section open



Length mm	Support section CP 60	
	closed	open
	Model No. CP	
250	6206.025	–
500	6206.050	–
1000	6206.100	6206.110
2000	6206.200	–

Length mm	Support section CP 120	
	closed	open
	Model No. CP	
250	6212.025	–
500	6212.050	6212.150
1000	6212.100	6212.110
2000	6212.200	6212.210

Length mm	Support section CP 180	
	closed	open
	Model No. CP	
500	6218.050	6218.150
1000	6218.100	6218.110
2000	6218.200	6218.210

Support arm systems

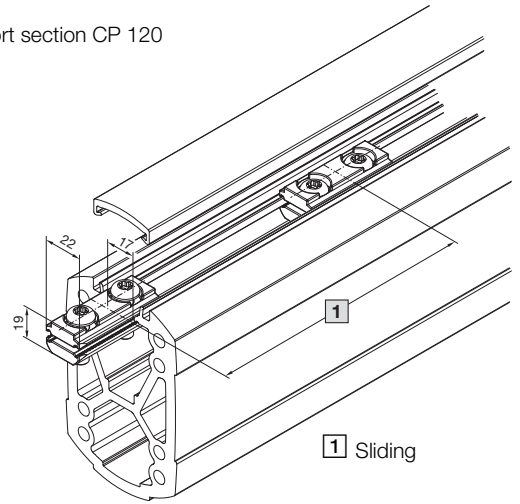
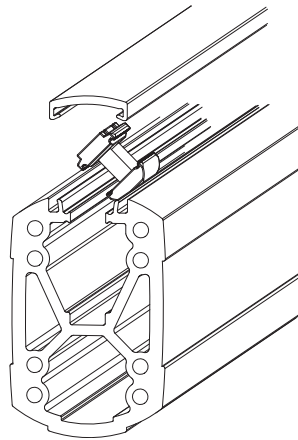
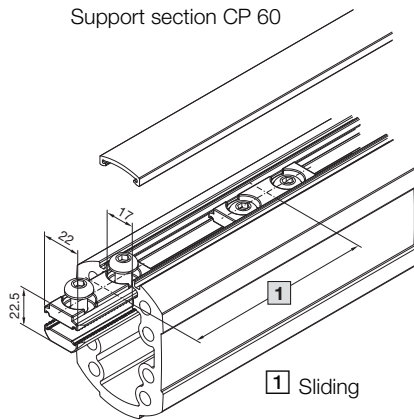
Support sections

Clamping element

CP 6212.220

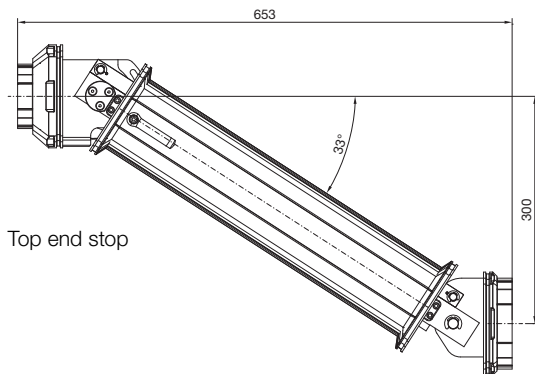
Support section CP 120

Support section CP 60



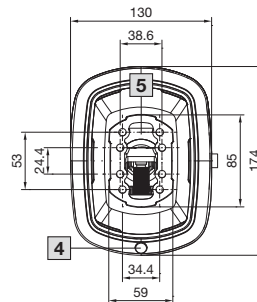
Support section, height-adjustable

CP 6212.060, version 4 – 30 kg

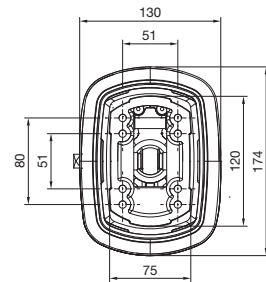


Top end stop

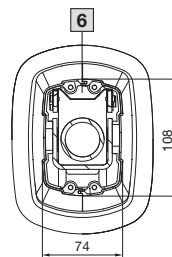
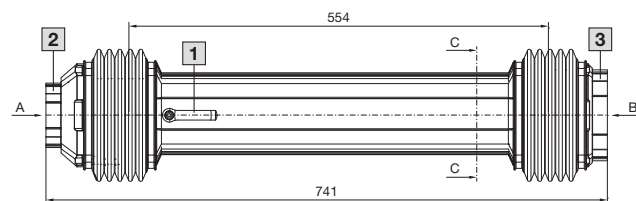
View A



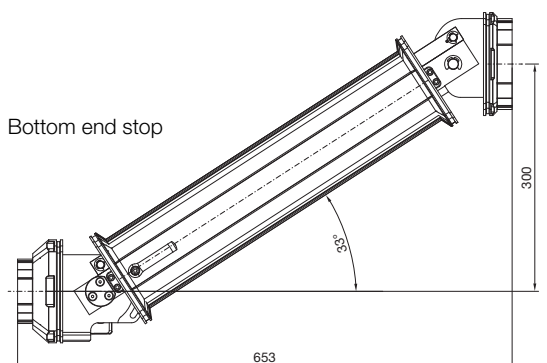
View B



Section C – C



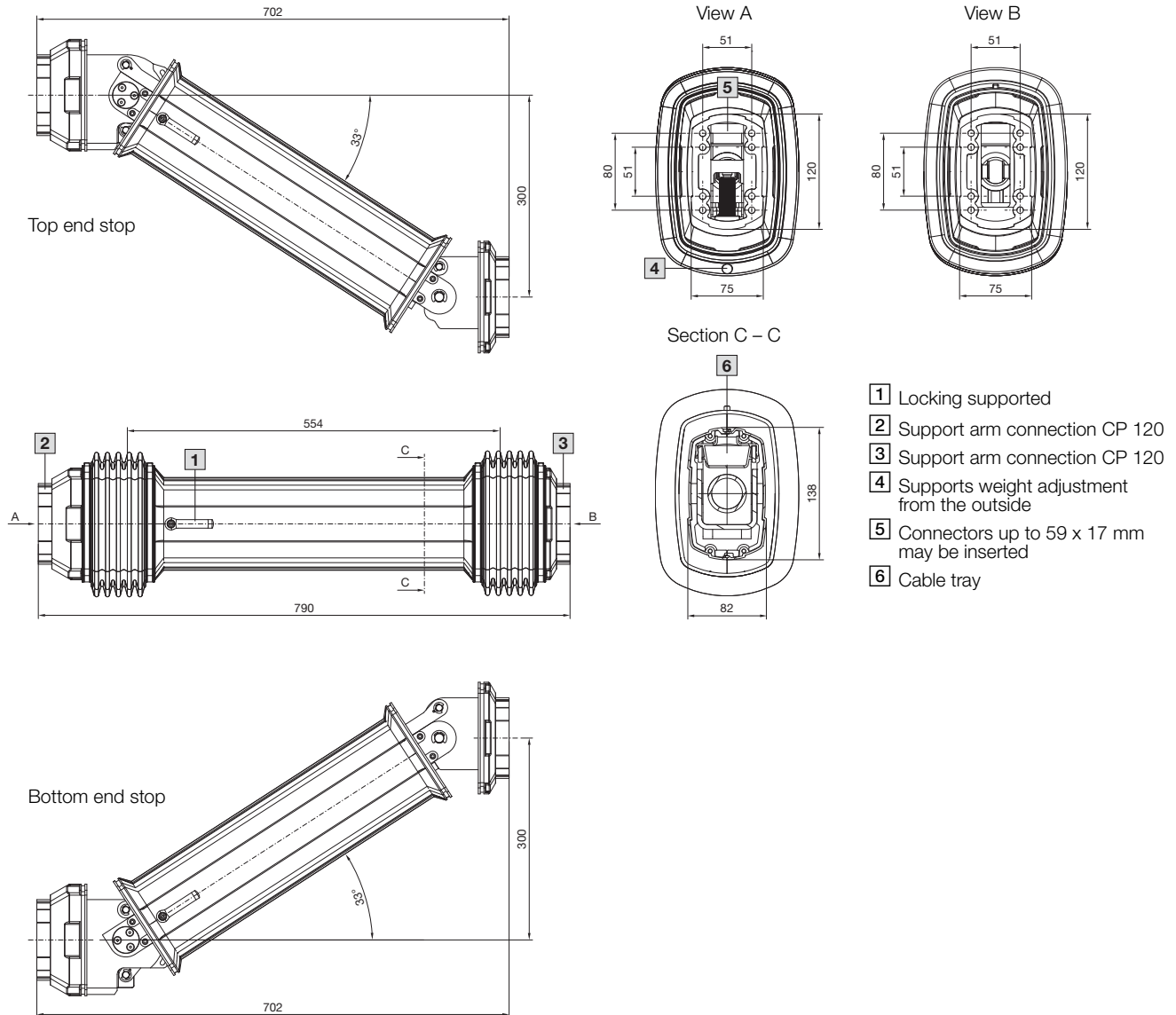
- 1 Locking supported
- 2 Support arm connection CP 60
- 3 Support arm connection CP 120
- 4 Supports weight adjustment from the outside
- 5 Connectors up to 41 x 17 mm may be inserted
- 6 Cable tray



Bottom end stop

Support section, height-adjustable

CP 6212.120, version 10 – 60 kg

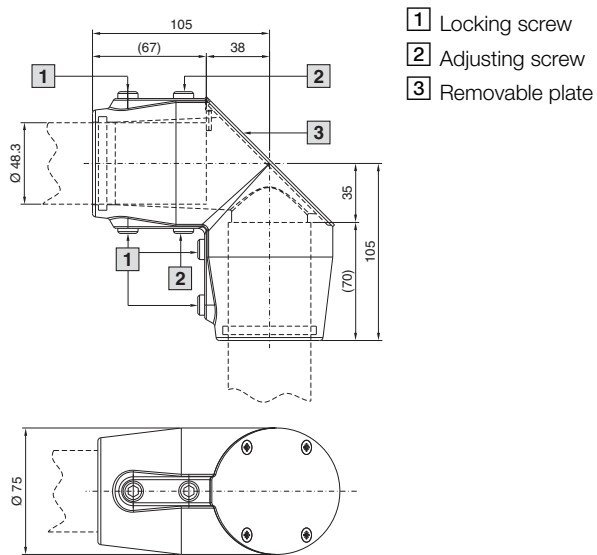


Support arm systems

Angle pieces

Angle piece 90° CP 40, steel

CP 6501.140

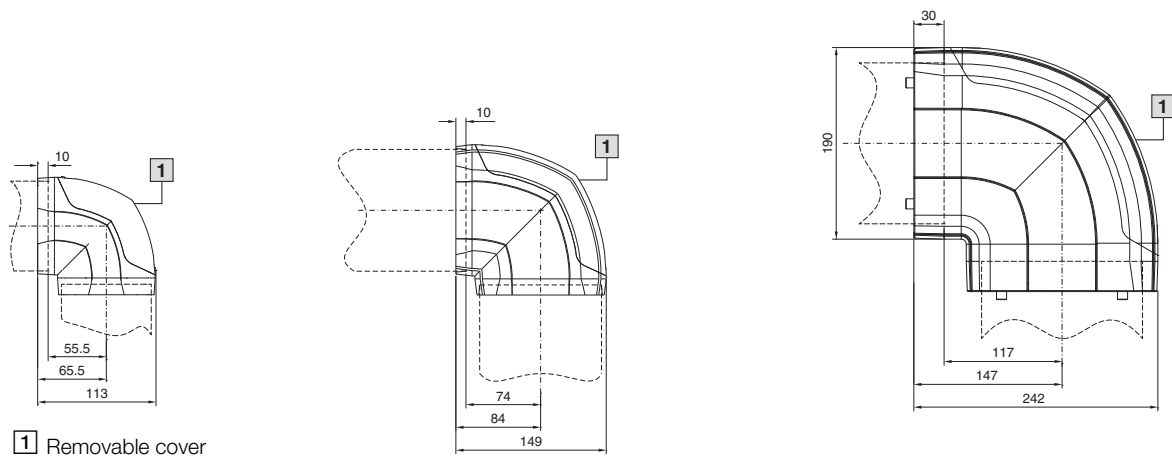


Angle piece 90° CP 60/120/180

CP 6206.600

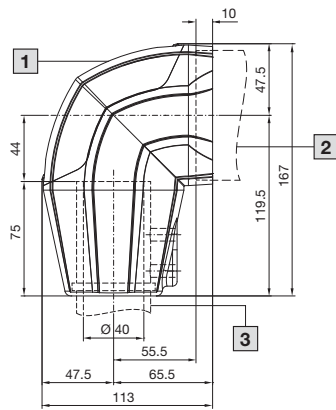
CP 6212.600

CP 6218.600



Angle adaptor 90°

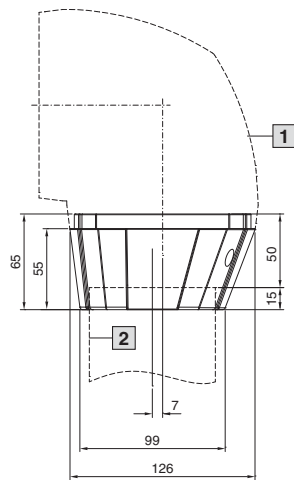
CP 6206.640



- 1 Removable cover
- 2 Support section CP 60
- 3 Support section CP 40

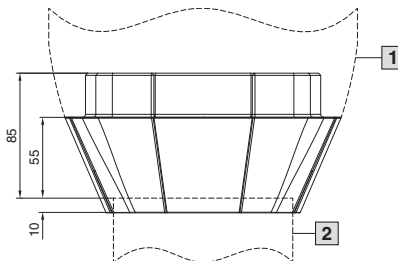
Adaptor for support arm combination

CP 120/60
CP 6212.640



- 1 Connection of CP 120 components
CP 6212.600, CP 6212.620
- 2 Support section, CP 60

CP 180/120
CP 6218.640



- 1 Connection of CP 180 components
CP 6218.600, CP 6218.620, CP 6218.740
- 2 Support section, CP 120

Support arm systems

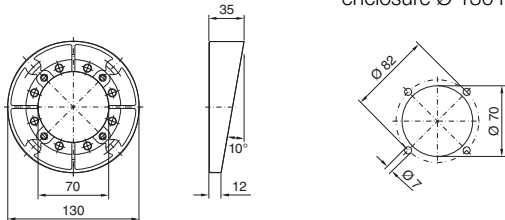
Adaptors

Tilting adaptor 10° CP 60/120

for command panels with support arm connection \varnothing 130 mm

CP 6206.400

Mounting cut-out,
enclosure \varnothing 130 mm

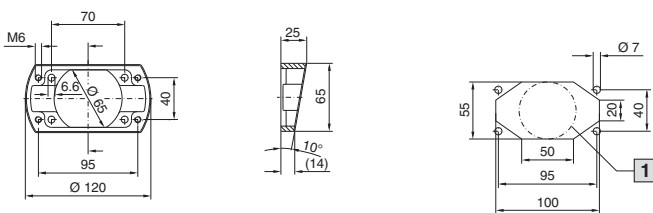


Tilting adaptor 10° CP 60/120

for command panels with support arm connection \square 120 x 65 mm

CP 6206.440

Mounting cut-out,
enclosure \square 120 x 65 mm



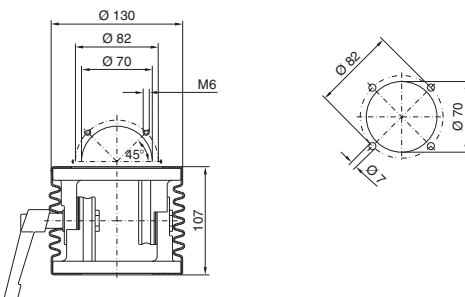
1 Alternative max. \varnothing 55 mm

Tilting adaptor +/-45° CP 60/120

for command panels with support arm connection \varnothing 130 mm

CP 6206.420

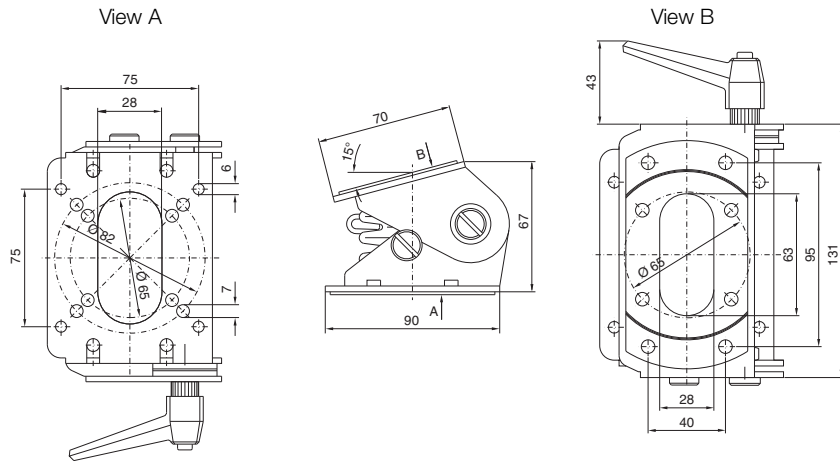
Mounting cut-out,
enclosure \varnothing 130 mm



Tilting adaptor +100°/-60°

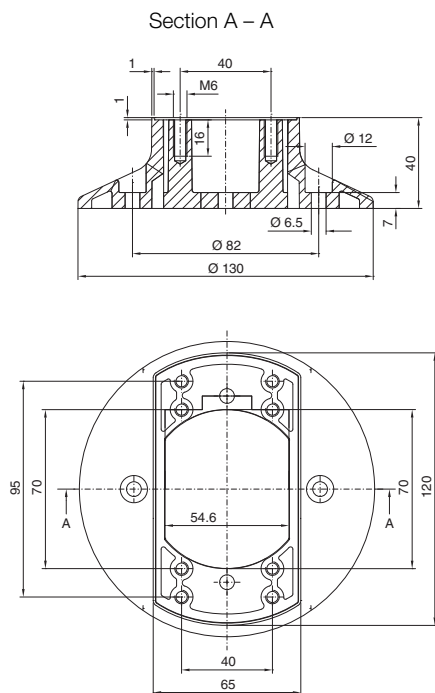
for command panels with support arm connection □ 120 x 65 mm

CP 6206.460



Adaptor from support arm connection Ø 130 mm to □ 120 x 65 mm

CP 6212.500

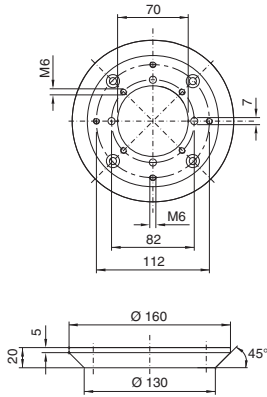


Support arm systems

Adaptors

Adaptor from support arm connection Ø 180 mm to Ø 130 mm

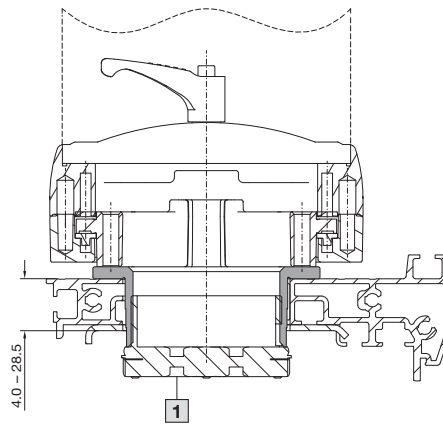
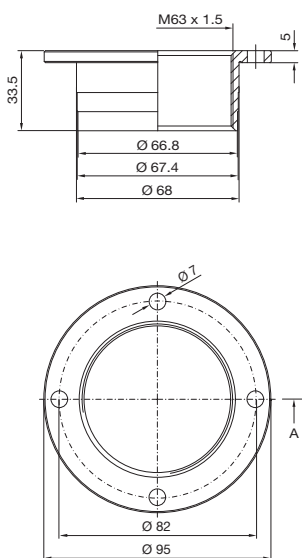
CP 6212.520



Adaptor for IP compartmentalisation

CP 6052.700

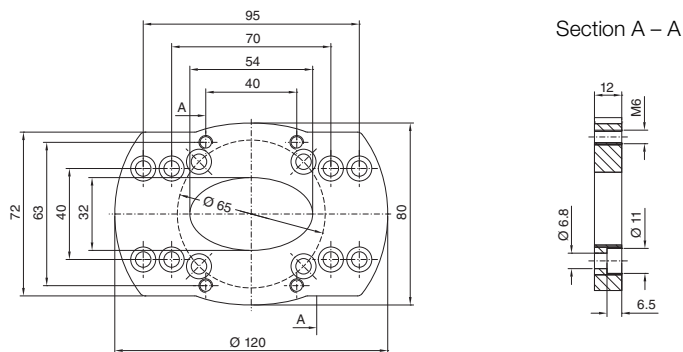
Section A – A



1 Cable entry element with external thread M63 x 1.5

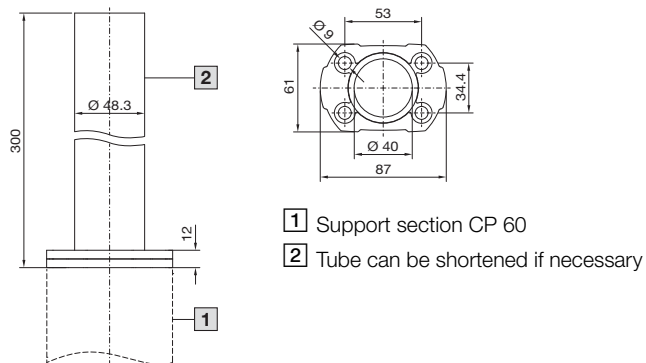
Adaptor for Siemens Pro-Panel

CP 6206.500



Adaptor CP 60 to CP 40 for stand and support arm systems

CP 6206.650



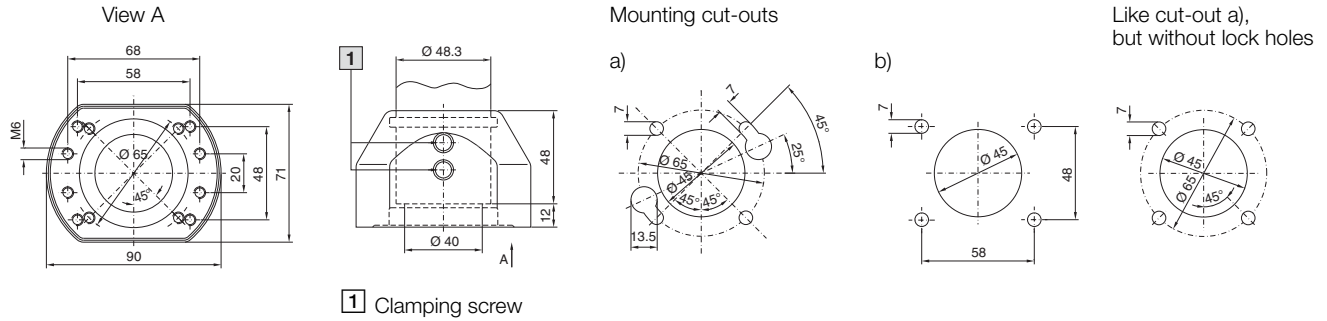
Support arm systems

Enclosure connection

Attachment CP 40, steel

for support arm connection $\square 90 \times 71$ mm

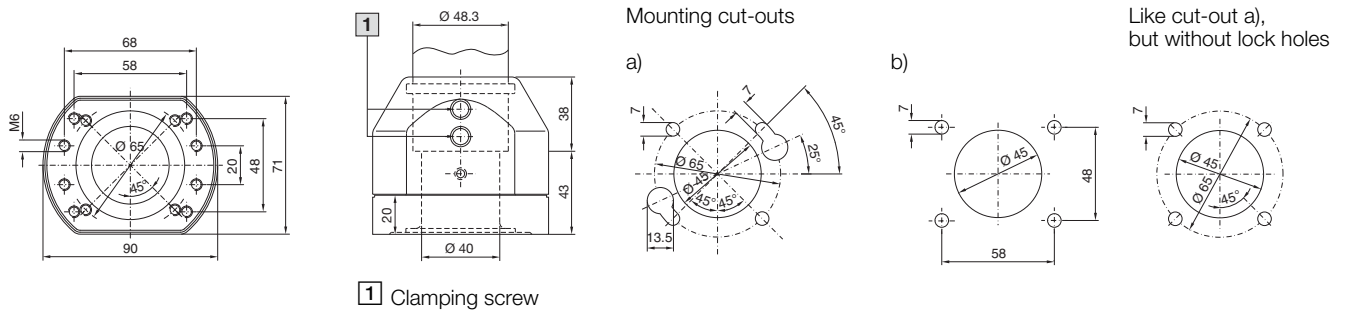
CP 6501.070



Coupling CP 40, steel

for support arm connection $\square 90 \times 71$ mm

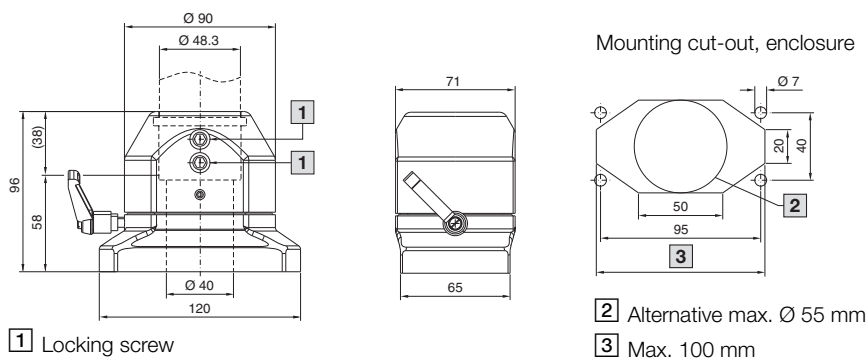
CP 6501.050



Coupling CP 40, steel

for support arm connection $\square 120 \times 65$ mm

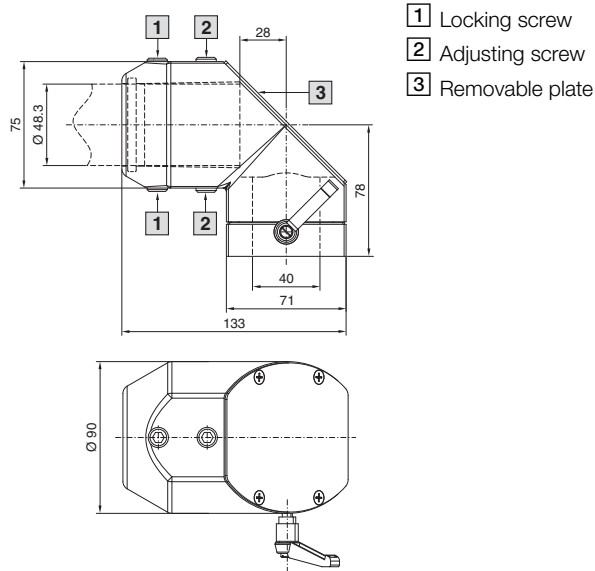
CP 6501.130



Angle coupling 90° CP 40, steel

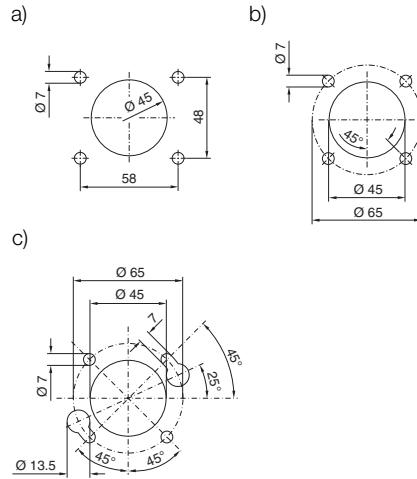
for support arm connection $\square 90 \times 71 \text{ mm}$

CP 6501.120



- 1 Locking screw
- 2 Adjusting screw
- 3 Removable plate

Possible mounting cut-outs of enclosures



Version c) for quick/one-man assembly

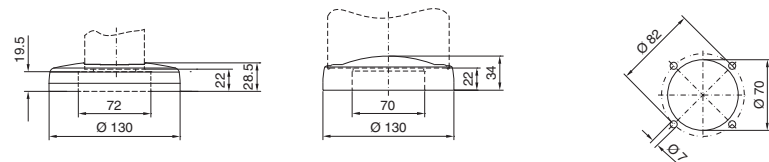
Attachment CP 60/120

for command panels with support arm connection $\text{Ø } 130 \text{ mm}$

CP 6206.320

CP 6212.320

Mounting cut-out,
enclosure $\text{Ø } 130 \text{ mm}$



Attachment CP 60

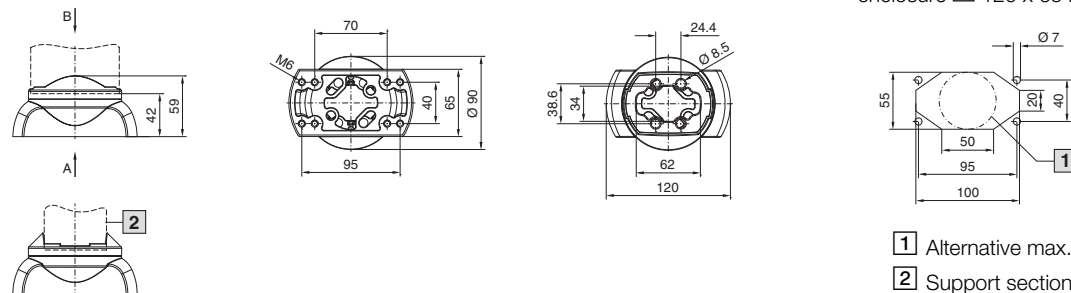
for command panels with support arm connection $\square 120 \times 65 \text{ mm}$

CP 6206.360

View A

View B

Mounting cut-out,
enclosure $\square 120 \times 65 \text{ mm}$



- 1 Alternative max. $\text{Ø } 55 \text{ mm}$
- 2 Support section
may also be rotated through 90°

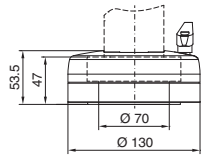
Support arm systems

Enclosure connection

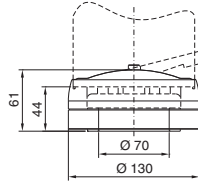
Coupling CP 60/120/180

for command panels with support arm connection $\varnothing 130/\varnothing 180$ mm

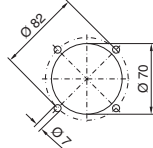
CP 6206.300



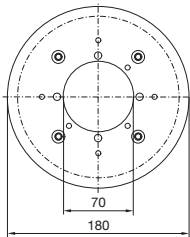
CP 6212.300



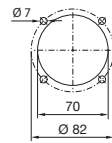
Mounting cut-out,
enclosure $\varnothing 130$ mm



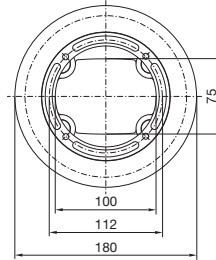
CP 6218.300 for support arm connection $\varnothing 130$ mm



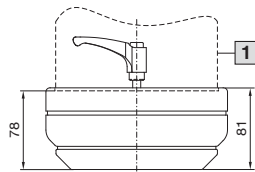
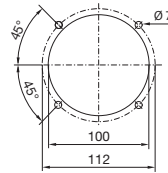
Mounting cut-out



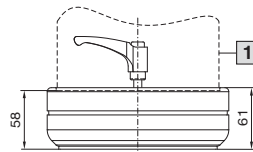
CP 6218.300 for support arm connection $\varnothing 180$ mm



Mounting cut-out



1 Support section CP 180

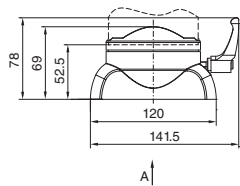


1 Support section CP 180

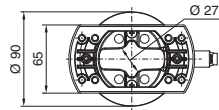
Coupling CP 60

for command panels with support arm connection $\square 120 \times 65$ mm

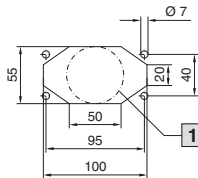
CP 6206.340



View A



Mounting cut-out,
enclosure $\square 120 \times 65$ mm



1 Alternative max. $\varnothing 55$ mm

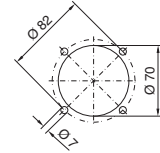
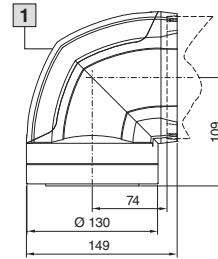
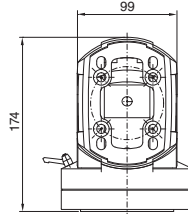
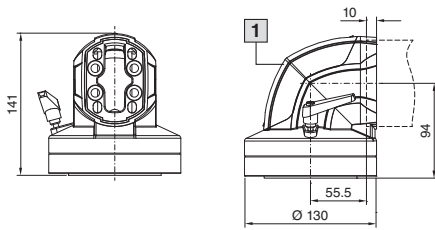
Angle coupling 90° CP 60/120

for command panels with support arm connection $\varnothing 130$ mm

CP 6206.380

CP 6212.380

Mounting cut-out,
enclosure $\varnothing 130$ mm

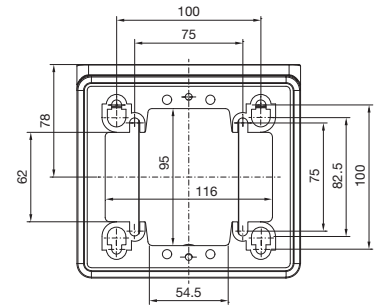
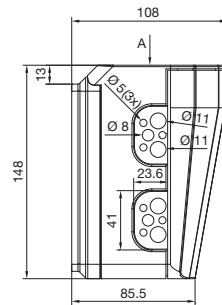
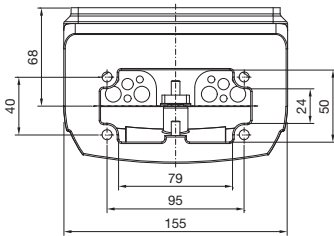


1 Removable cover

Connection console VESA 75/100

CP 6206.480

View A



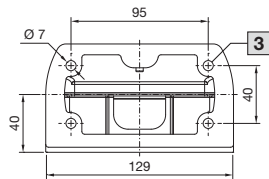
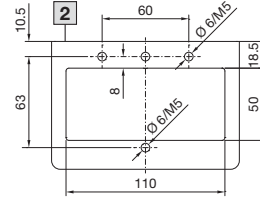
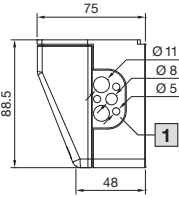
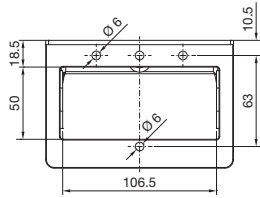
Support arm systems

Enclosure connection

Connection console

CP 6206.490

Mounting cut-out
for the rear of the enclosure



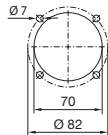
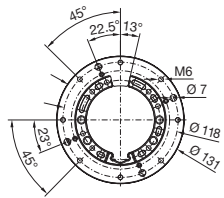
- 1 Cable grommet
- 2 Outer edge of enclosure = upper edge of connection console
- 3 Connection hole pattern for CP 6206.340, CP 6206.360, CP 6212.500, CP 6501.130

Pivot

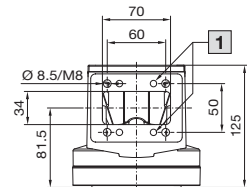
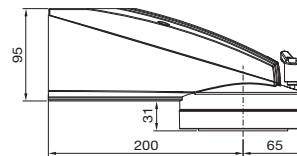
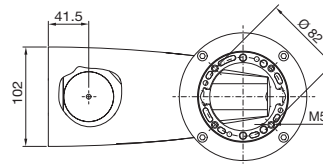
with/without jib

CP 6206.870

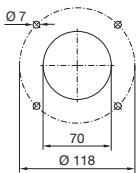
CP 6206.850



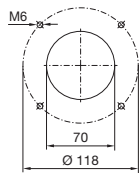
Mounting cut-out,
enclosure side Ø 130 mm



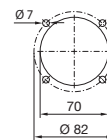
1 Adjusting screw



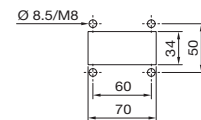
Option 1
Mounting cut-out,
machine side



Option 2
Mounting cut-out,
machine side



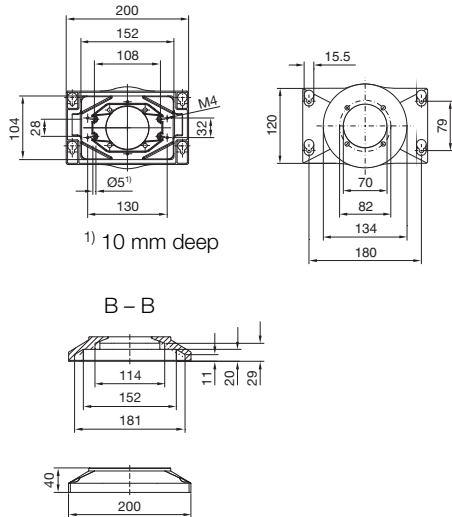
Mounting cut-out,
enclosure side
Ø 130 mm



Mounting cut-out,
machine side

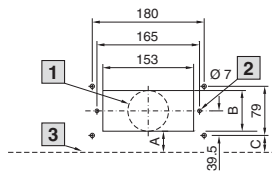
Connection plates with reinforcement plate

CP 6212.540



1) 10 mm deep

Mounting cut-out



- 1 Alternative Ø B
- 2 Ø 6 mm only with metal enclosures for securing the reinforcement plate
- 3 Outer edge of enclosure at rear

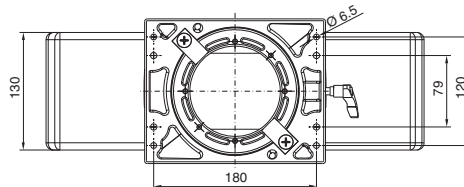
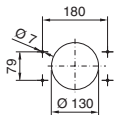
	Installation depth mm	A	B	C
Comfort Panel	152/308	28.9	77.9	30.5
	191 – 464	43.1	82.5	48.1
Optipanel	150	34	70	28
Metal enclosure	–	1)	86	1)

1) Make the drilled holes/cut-out in the centre of the enclosure reinforcement plate

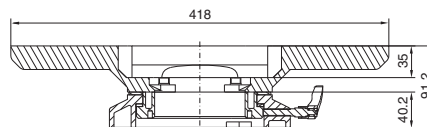
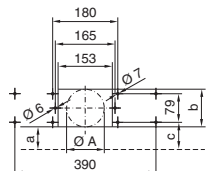
Housing coupling for desktop mounting

CP 6528.410

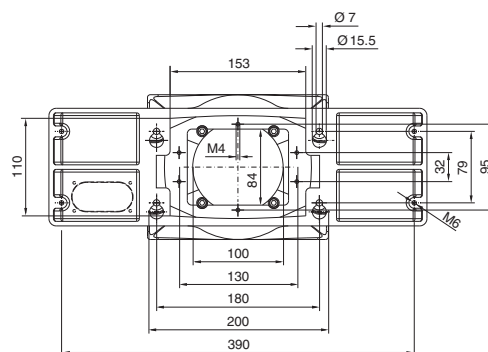
Mounting cut-out for surfaces



Mounting cut-out, enclosure side



A or Ø A is manufactured to order in the case of Optipanel and Comfort Panel.
A_{max.} = 100 mm



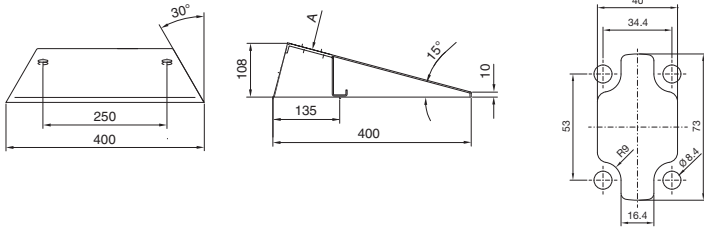
	Installation depth mm	a	b	c
Comfort Panel	152/308	28.9	77.9	30.5
	191 – 425	43.1	82.5	48.1
Optipanel	150	34	70	28
Metal enclosure	–	1)	86	1)

1) Make the drilled holes/cut-out in the centre of the enclosure reinforcement plate

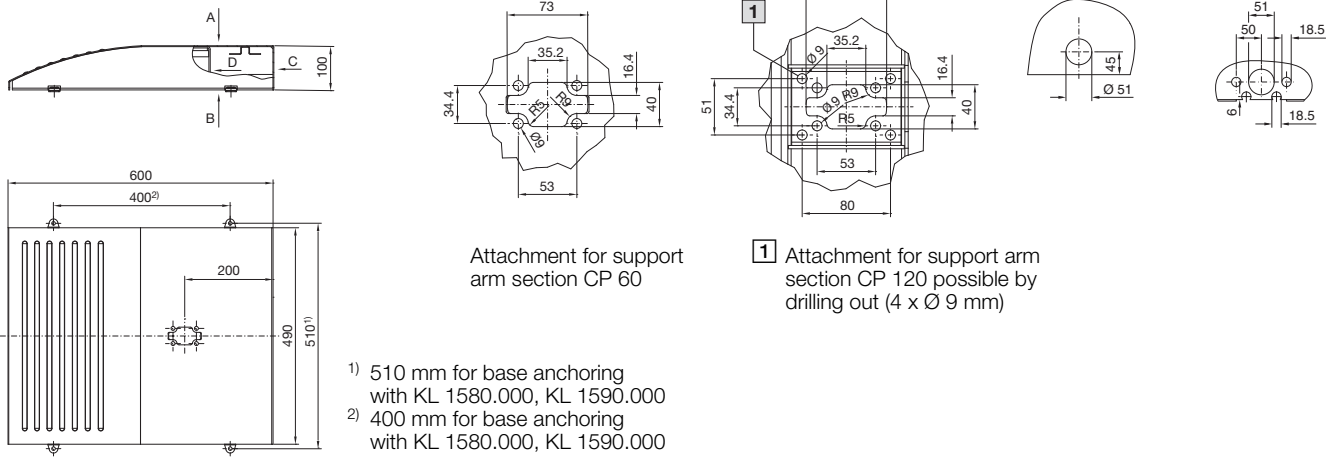
Stand systems

Pedestal, modular

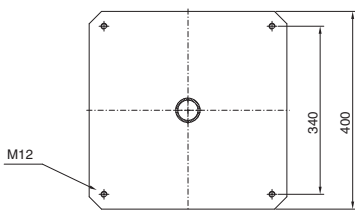
Pedestal base plate, small, CP 60
CP 6106.100



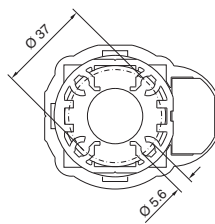
Pedestal base plate, large, CP 60/120
CP 6106.200



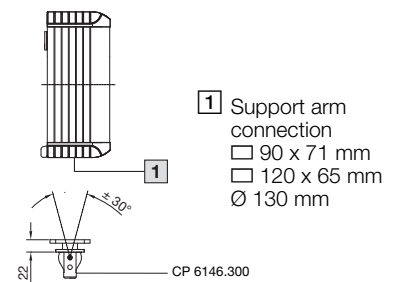
Pedestal base plate
CP 6146.100



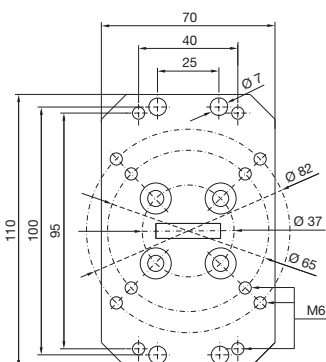
Support section
CP 6146.200



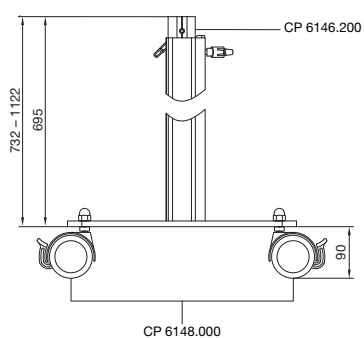
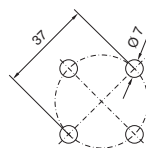
External mounting with tilt adjustment



Tilt adjustment
CP 6146.300



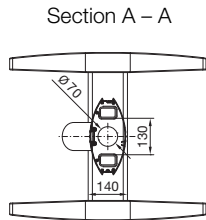
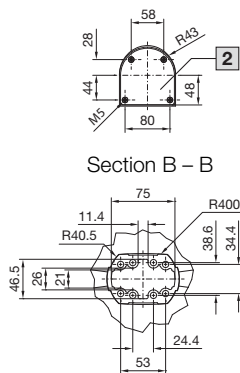
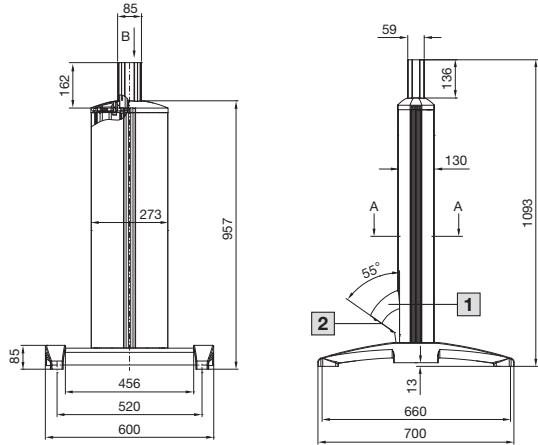
Direct mounting on the enclosure



Pedestal, complete

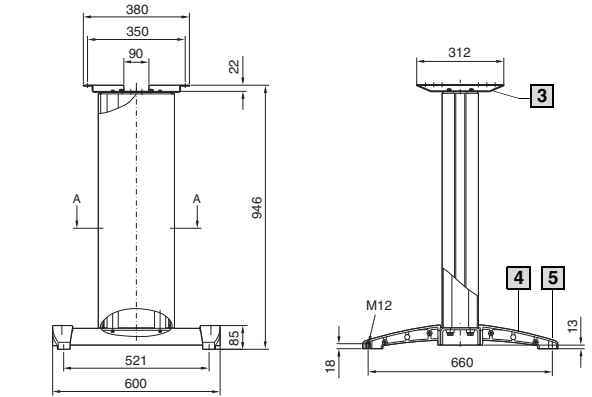
CP 6106.300, CP 6141.200

CP 6106.300 for command panels

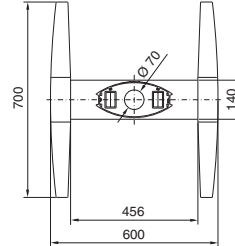


- 1 Cable conduit adaptor
- 2 Cover with cable entry

CP 6141.200 for IW worktops

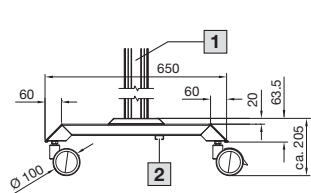


Section A - A

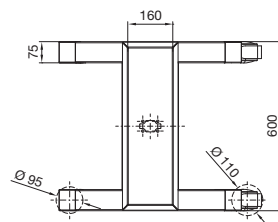


- 3 Prepared for worktop IW 6902.310
- 4 Prepared for trim panel CP 6144.100
- 5 Prepared for twin castors CP 6148.000 or base mounting CP 6147.000

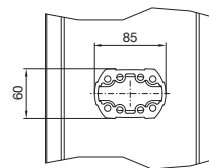
CP 6106.400



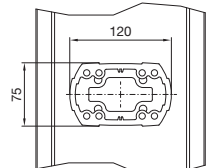
- 1 Support section
- 2 C rail 30/15, length 100 mm



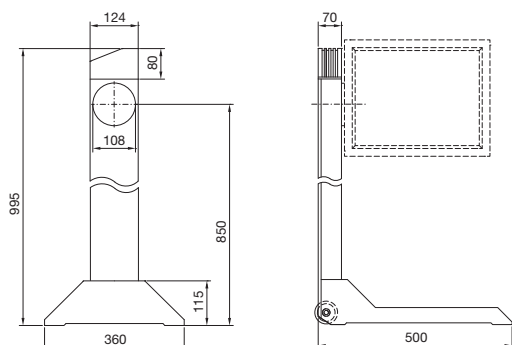
Support section



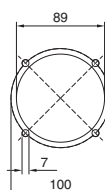
CP 60



CP 6135.000

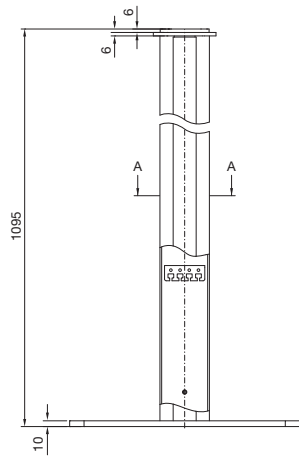


Mounting cut-out

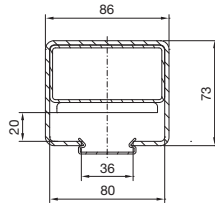


Stand systems

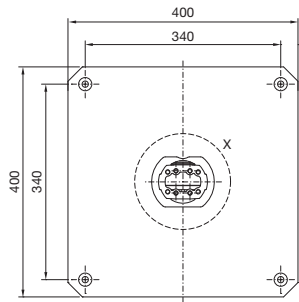
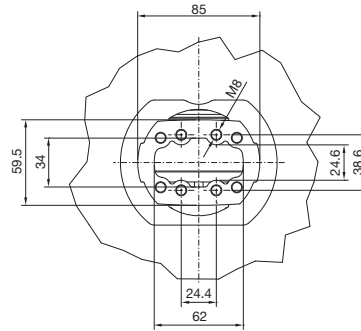
Pedestal, open CP 6106.500



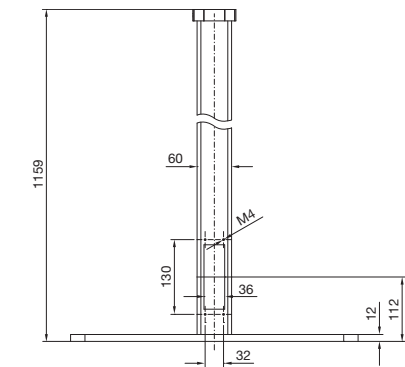
Section A - A



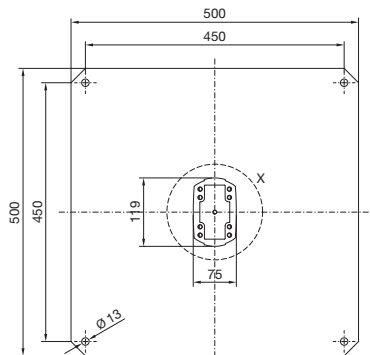
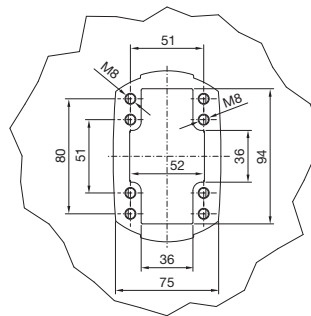
Detail X
Connection plate, top



Pillar, small CP 6112.500

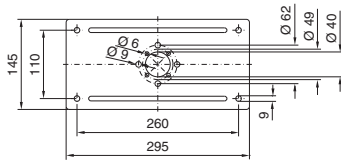


Detail X
Connection plate, top
mounting of CP 6212.300, 6212.320 is possible

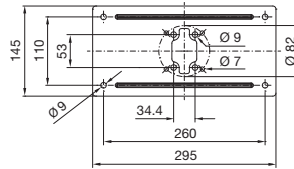


Enclosure reinforcement

CP 6143.310



CP 6106.110



Rittal – The System.

Faster – better – everywhere.

- Enclosures
- Power Distribution
- Climate Control
- IT Infrastructure
- Software & Services

You can find the contact details of all Rittal companies throughout the world here.



www.rittal.com/contact

ENCLOSURES

POWER DISTRIBUTION

CLIMATE CONTROL

IT INFRASTRUCTURE

SOFTWARE & SERVICES



FRIEDHELM LOH GROUP