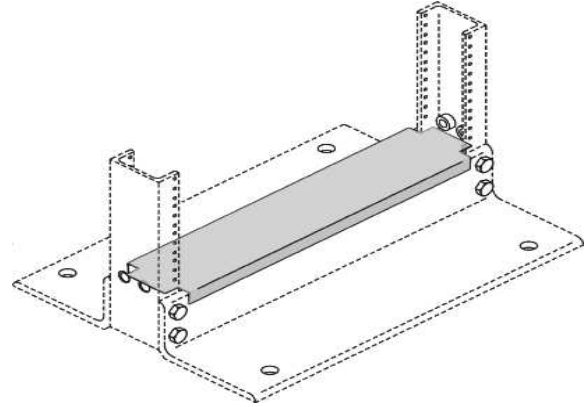


# Product Cut Sheet

## RACK BASE DUST COVER

Improves appearance and prevents the accumulation of dust and debris at the rack base. Snaps securely in place over the base assembly; no mounting hardware necessary. Made of lightweight aluminum.

- For CPI Racks with 3" or 6"D (80 mm or 150 mm) channel



Part Number			Description in (mm)
19" Rack	23" Rack	35" Rack	
41050-X19	41050-X23	N/A	3 (80) Rack Channel
42050-X19	42050-X23	42050-X35	6 (150) Rack Channel

*X=color: 1=Gray, 2=Computer Beige, 5=Clear, 7=Black, E=Glacier White*

800-834-4969 in U.S. & Canada • [www.chatsworth.com](http://www.chatsworth.com)



©2013 Chatsworth Products, Inc. All rights reserved. CPI, CPI Passive Cooling, GlobalFrame, MegaFrame, Saf-T-Grip, Seismic Frame, SlimFrame, TeraFrame, Cube-IT Plus, Evolution, OnTrac, Velocity and QuadraRack are federally registered trademarks of Chatsworth Products. eConnect and Simply Efficient are trademarks of Chatsworth Products. All other trademarks belong to their respective companies. 6/13