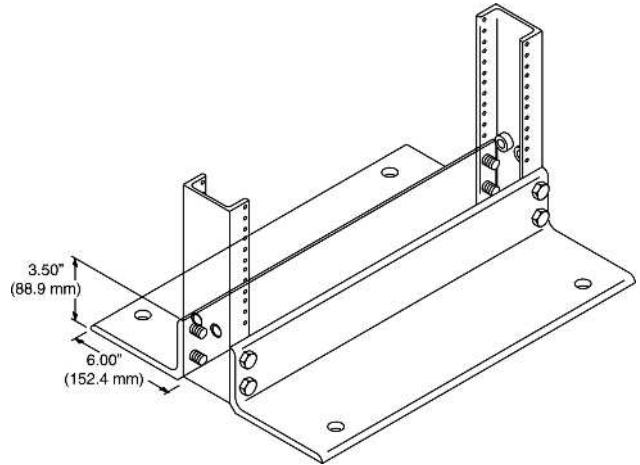


Product Cut Sheet

BASE ANGLES

Optional base angle for CPI Universal Racks.

- Material is aluminum extrusion 3-1/2" x 6" x 3/8"
(89 mm x 150 mm x 9.53 mm)
- Sold individually



Part Number		Shipping Weight lb (kg)
19" Rack	23" Rack	
41021-X01	41021-X02	10 (4.5)

X=color: 1=Gray, 2=Computer Beige, 5=Clear, 7=Black, E=Glacier White

800-834-4969 in U.S. & Canada • www.chatsworth.com



CHATSWORTH PRODUCTS

©2013 Chatsworth Products, Inc. All rights reserved. CPI, CPI Passive Cooling, GlobalFrame, MegaFrame, Saf-T-Grip, Seismic Frame, SlimFrame, TeraFrame, Cube-IT Plus, Evolution, OnTrac, Velocity and QuadraRack are federally registered trademarks of Chatsworth Products. eConnect and Simply Efficient are trademarks of Chatsworth Products. All other trademarks belong to their respective companies. 6/13