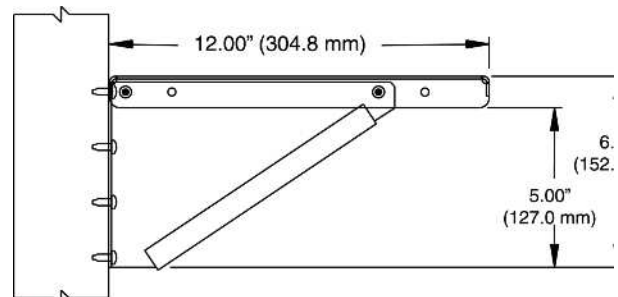
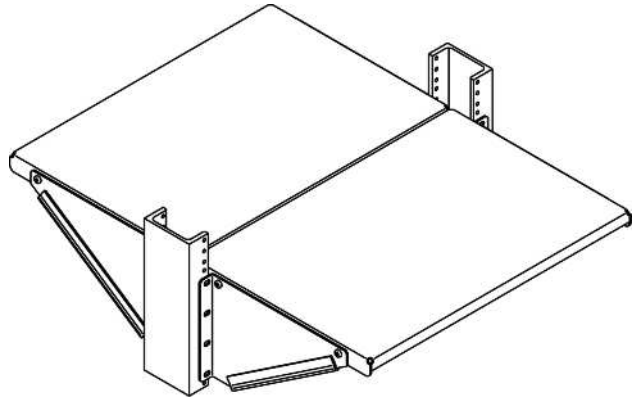


# Product Cut Sheet

## MULTI-PURPOSE THREE PIECE SHELF

Convenient, flexible design makes this shelf truly the most versatile shelf on the market today. With sixteen different configurations, there's no need to stock three different shelves. Can be mounted on 19" rack or wall (single-sided version). Shelf packaged in 2"H (50 mm) box reducing inventory space and shipping charges. Sold individually. One per standard shipping carton. Mounting hardware not included.

- Multi-purpose slim-line packaging minimizes valuable inventory space
- Single-sided version is 12"D and 17-1/2"W
- Capacity is doubled when two shelves are mounted back-to-back on double-sided racks
- Made of sturdy, lightweight aluminum
- Supports up to 50 lb (22.7 kg) each



Part Number	Description	Shipping Weight lb (kg)
40752-X19	Multi-Purpose Three Piece Shelf	5 (2.3)

X=color: 1=Gray, 2=Computer Beige, 5=Clear, 7=Black, E=Glacier White

800-834-4969 in U.S. & Canada • [www.chatsworth.com](http://www.chatsworth.com)



CHATSWORTH PRODUCTS

©2013 Chatsworth Products, Inc. All rights reserved. CPI, CPI Passive Cooling, GlobalFrame, MegaFrame, Saf-T-Grip, Seismic Frame, SlimFrame, TeraFrame, Cube-IT Plus, Evolution, OnTrac, Velocity and QuadraRack are federally registered trademarks of Chatsworth Products. eConnect and Simply Efficient are trademarks of Chatsworth Products. All other trademarks belong to their respective companies. 6/13