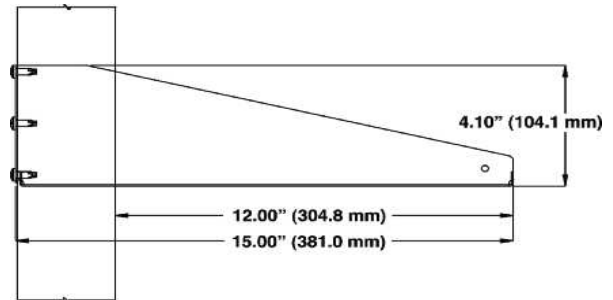
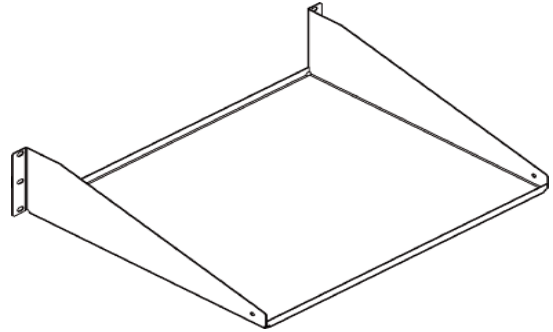


# Product Cut Sheet

## STANDARD SINGLE-SIDED STEEL SHELF

Economical rack or wall-mounted shelf for miscellaneous equipment. Made of cold-rolled steel and may be rack or wall-mounted. 19" rack-mountable, holds equipment up to 17.25"W x 14.75"D (438.2 mm x 374.7 mm). Sold two per shipping carton; supports up to 35 lb (15.9 kg).



Part Number	Description	Shipping Weight lb (kg)
40750-X19	Standard Single-Sided Steel Shelf	12 (5.4)

X=color: 1=Gray, 2=Computer Beige, 7=Black, E=Glacier White.

800-834-4969 in U.S. & Canada • [www.chatsworth.com](http://www.chatsworth.com)



©2014 Chatsworth Products, Inc. All rights reserved. Chatsworth Products, CPI, CPI Passive Cooling, eConnect, MegaFrame, Saf-T-Grip, Seismic Frame, SlimFrame, TeraFrame, GlobalFrame, Cube-iT Plus, Evolution, OnTrac, QuadraRack and Velocity are federally registered trademarks of Chatsworth Products. Simply Efficient is a trademark of Chatsworth Products. All other trademarks belong to their respective companies. 04/14