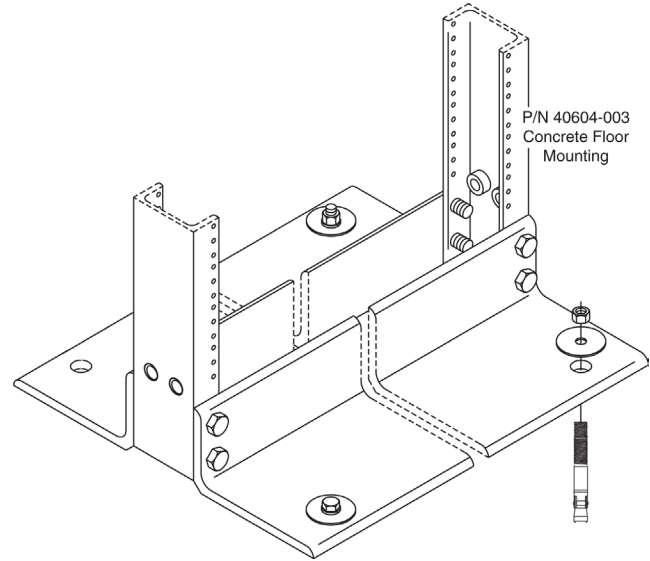


Rack & Frame Installation Kits

Required hardware for securing equipment racks and frames to both concrete and wood floors.

- Concrete Kit; (P/N 40604-003); is a 1/2" anchor design which includes (4) 1/2" anchors (requires 1/2" hole), (4) washers and (4) nuts. It has a fixed bolt length of 3 3/4"
- Concrete Kit; (P/N 40604-001) is a 3/8" anchor design which includes (4) 3/8" anchors (requires 5/8" hole), (4) stud bolt, (8) washers and (4) nuts. It is shipped with a 3 1/2" stud but longer/shorter 3 8/16" stud can be used
- Wood Floor Kit; (P/N 40607-001) is a 3/8" anchor design which includes (4) 3/8" anchors (requires 5/8" hole), (4) stud bolt, (8) washers and (4) nuts



ORDERING INFORMATION

Part Number	Description	Shipping Weight lb (kg)
40604-003	Concrete Floor Kit, 1/2" Hardware, Zinc	1 (0.5)
40604-001	Concrete Floor Kit, 3/8" Hardware, Zinc	1 (0.5)
40607-001	Wood Floor Kit, 3/8" Hardware, Zinc	1 (0.5)

For product CSI Specs, visit the Support & Downloads page on www.chatsworth.com.

US & Canada

+1-800-834-4969
 Toronto, Ontario, Canada
 +905-850-7770
chatsworth.com
techsupport@chatsworth.com

Latin America

+52-55-5203-7525
 Toll Free within Mexico
 01-800-01-7592
chatsworth.com.co

Europe

+44-1628-524-834
chatsworthproducts.co.uk

Middle East & Africa

Dubai, UAE
 +971-4-2602125
chatsworth.ae

Asia Pacific

+86 21 6880-0266
chatsworth.com.cn



CHATSWORTH
 PRODUCTS