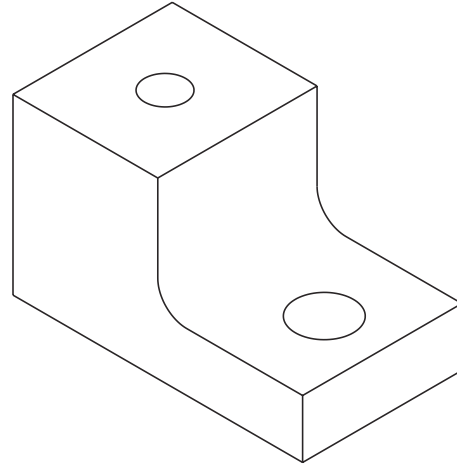


Product Information Sheet

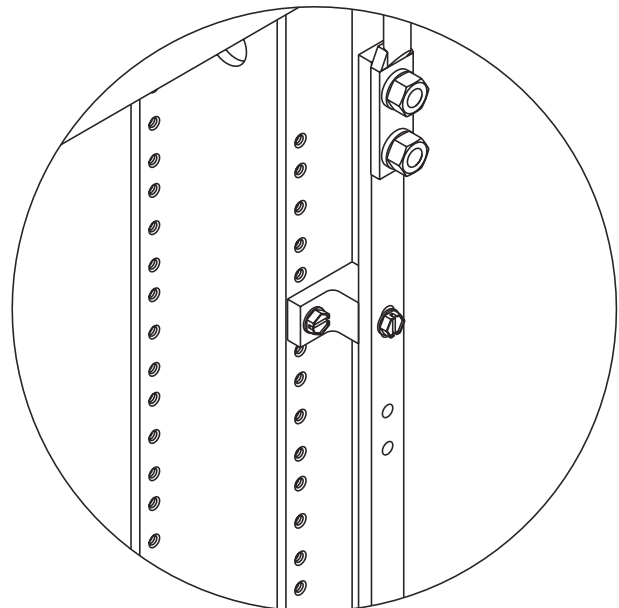
RACK BUSBAR INSULATOR BLOCK

Rack Busbar Insulator Blocks provide rigid support to physically separate Rack Busbars from all sources of electrical energy. Its offset design securely attaches the Busbar using a #12 self-tapping screw while allowing unobstructed access to rack-mounted equipment. The Insulator Block has a #12 clearance hole for mounting to the rack.

- Made of durable, nonconductive white Delrin®
- Block measures 11/16"W x 3/4"H x 1-1/4"L
- Available individually or in packages of 50



Part Number	Description	Unit	Shipping Weight
40157-001	Insulator Block	1	.25 lb
40157-050	Insulator Block	50	2 lb



Shown Mounted to Rack

800-834-4969 in U.S. & Canada • www.chatsworth.com



CHATSWORTH PRODUCTS, INC.

©2003 Chatsworth Products, Inc. All rights reserved. CPI is a registered trademark of Chatsworth Products, Inc. All other trademarks belong to their respective companies. 06/03