

# CCS - EFX COMBINATION CABLING SECTION EXTENDED FINGERS

## KEY FEATURES

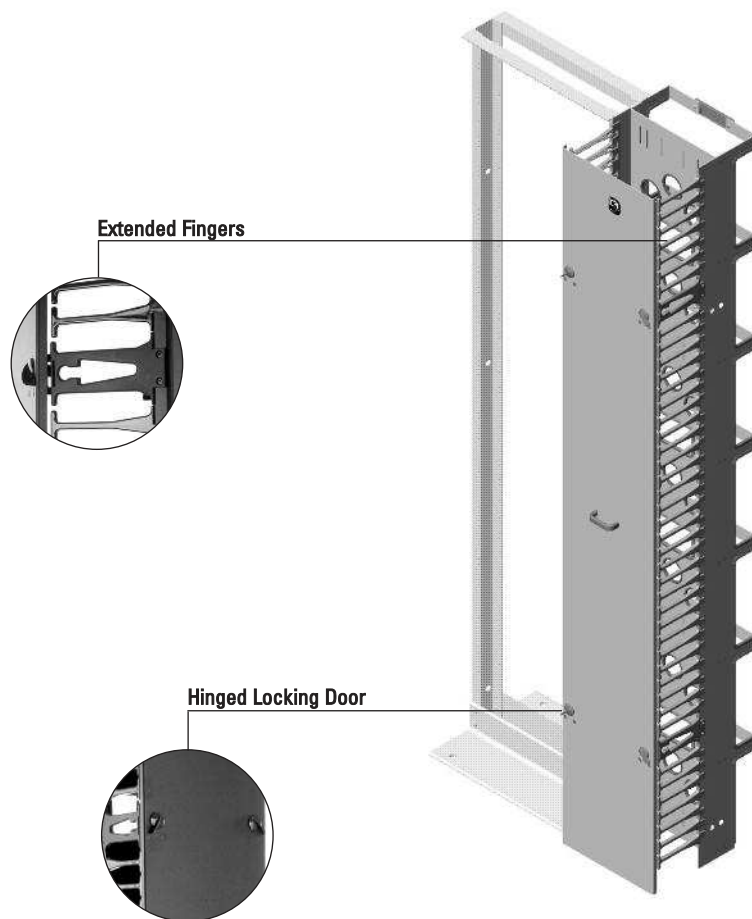
- Cable openings on the front of CCS - EFX align with rack-mount unit (U) spaces on the rack allowing cables to exit by-U.
- Cable openings on the front of CCS - EFX are sized to accommodate 48 patch cords, twice the capacity of the standard CCS. Openings have rounded edges to protect cable and will not deform or break.
- The front door hinges open to the right or left for easy access to cables during MACs and locks in the closed position to protect cables from damage.
- Open rear of CCS - EFX allows large premise cable bundles to exit the manager into the rack-mount space.

## APPLICATIONS

- Use CCS - EFX Combination Cabling Section - Extended Fingers Xtra Large Capacity in small to medium size facilities in Telecommunications Rooms (TR) and Equipment Rooms (ER) to support the Main Cross-Connect (MC), Intermediate Cross-Connect (IC) or Horizontal Cross-Connect (HC) and voice and network switching equipment.
- CCS - EFX is an excellent choice for managing cables from angled-face copper patch panels.

## RELATED ACCESSORIES

- Standard Rack/Universal Rack
- Combination Cabling Sections
- Universal Horizontal Cable Managers
- Double-Sided Universal Horizontal Cable Managers
- Cable Distribution Spools
- Cable Runway Radius Drops
- Saf-T-Grip® Reusable Cable Management Straps



The CCS - EFX Combination Cabling Section - Extended Finger Xtra Capacity is a double-sided vertical cable management trough designed for use with CPI's Universal and Standard Racks to manage cable at the cross-connect, especially when using angled-face copper patch panels.

The front side of CCS - EFX features a patented system of large cable openings that align with each rack-mount space (U) on the rack providing by-(U) control of patch cords. The T-shaped "fingers" extend 2-1/2" further than those used on the standard CCS providing support for patch cords as they sweep to connect with angled face patch panels. The additional depth creates a larger cable fill area. The larger cable openings allowing more patch cords to exit per U when racks support network switches. CCS - EFX includes a hinged front door that opens to the right or left to provide easy access to cable. The door locks in the closed position to protect cables and provide a clean, finished look.

The rear side of CCS - EFX is an open trough design with regularly spaced spin-latch closures. All edges are protected to prevent cable nicks. This design allows larger premise cable bundles to exit the trough into the rack-mount space.

The CCS - EFX is manufactured from a combination of strong, lightweight aluminum sheet and plenum-rated composite materials for maximum strength at minimal weight. CCS - EFX is packaged in a single carton for easy handling and includes installation hardware.

See reverse for product selection. Contact CPI Technical Support for configuration assistance.

**SPECIFICATIONS**

- Double-sided trough
- 1U high cable openings (front)
- Locking hinged door (front)
- Spin open latches (rear)
- Available in three widths

• **Cable capacities:**  
See the cable fill table at [www.chatsworth.com/cablefill](http://www.chatsworth.com/cablefill)

• **Footprints:**  
6.00"W (150 mm) x 14.94"D (379.5)  
10.00"W (250 mm) x 14.94"D (379.5)  
12.00"W (300 mm) x 14.94"D (379.5)

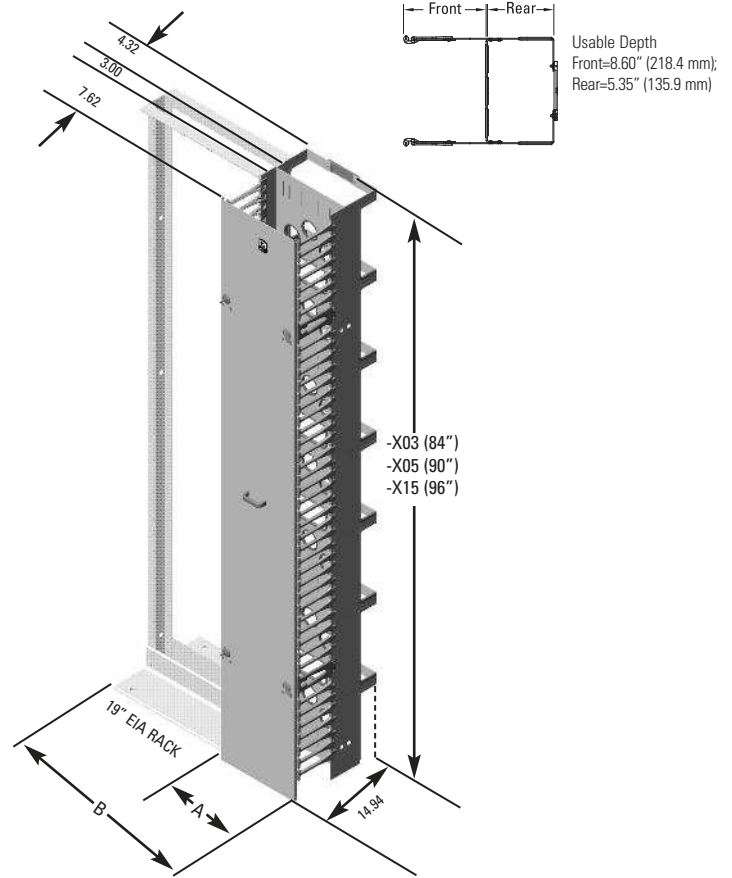
• **Height:**  
7', 84" (2.1 m)  
7'- 6", 90" (2.3 m)  
8', 96" (2.4 m)

• **Materials:**  
5052-H32 aluminum sheet  
UL 94V-0 Flame Resistant composite

• **Finish:**  
Black and Glacier White

*Note: CCS-EFX Total Capacity @50% cable fill without cable spools*

**DIMENSIONS**



Part Number			Width	
7'H (84")	7'-6"H (90")	8'H (96")	A	B
40098-X03	40098-X05	40098-X15	6.00	26.31
40099-X03	40099-X05	40099-X15	10.00	30.31
40100-X03	40100-X05	40100-X15	12.00	32.31

**ORDERING INFORMATION**

Part Number	Height ft (m)	Depth in (mm)	Shipping Weight lb (kg)
<b>6"W (150 mm)</b>			
40098-X03	7 (2.1)	14.94 (379.5)	38 (17.2)
40098-X05	7.6 (2.3)	14.94 (379.5)	41 (18.6)
40098-X15	8 (2.4)	14.94 (379.5)	44 (20.0)
<b>10"W (250 mm)</b>			
40099-X03	7 (2.1)	14.94 (379.5)	52 (23.6)
40099-X05	7.6 (2.3)	14.94 (379.5)	56 (25.4)
40099-X15	8 (2.4)	14.94 (379.5)	60 (27.2)
<b>12"W (300 mm)</b>			
40100-X03	7 (2.1)	14.94 (379.5)	56 (25.4)
40100-X05	7.6 (2.3)	14.94 (379.5)	60 (27.2)
40100-X15	8 (2.4)	14.94 (379.5)	64 (29.0)

X=color; 7=Black, E=Glacier White.