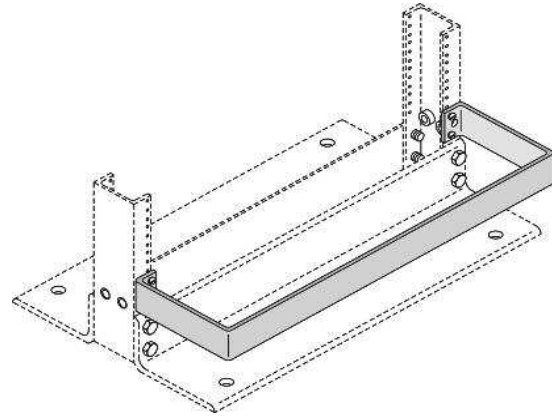


# Product Cut Sheet

## EQUIPMENT GUARD RAIL

Provides protection for equipment in racks from rolling gear or tool boxes.

- Made of 1/4" x 2" (6.4 mm x 50 mm) aluminum bar
- Mounting hardware is included; sold individually



400		Equipment Guard Rails	
<b>Stand Off - in (mm)</b>			
56	7 (180)		
57	6.5 (165)		
58	5.25 (133.4)		
59	4.25 (108)		
<b>Color</b>			
1	Gray		
2	Computer Beige		
5	Clear		
7	Black		
E	Glacier White		
<b>Width</b>			
19	19" Rack		
23	23" Rack		
400	XX	-	6 XX

800-834-4969 in U.S. & Canada • [www.chatsworth.com](http://www.chatsworth.com)