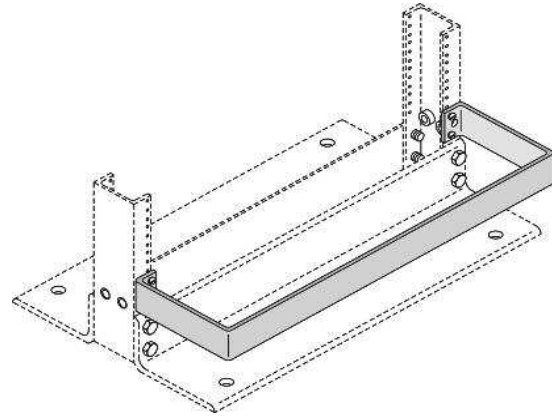


# Product Cut Sheet

## EQUIPMENT GUARD RAIL

Provides protection for equipment in racks from rolling gear or tool boxes.

- Made of 1/4" x 2" (6.4 mm x 50 mm) aluminum bar
- Mounting hardware is included; sold individually



| 400                        |                | Equipment Guard Rails |      |
|----------------------------|----------------|-----------------------|------|
| <b>Stand Off - in (mm)</b> |                |                       |      |
| 56                         | 7 (180)        |                       |      |
| 57                         | 6.5 (165)      |                       |      |
| 58                         | 5.25 (133.4)   |                       |      |
| 59                         | 4.25 (108)     |                       |      |
| <b>Color</b>               |                |                       |      |
| 1                          | Gray           |                       |      |
| 2                          | Computer Beige |                       |      |
| 5                          | Clear          |                       |      |
| 7                          | Black          |                       |      |
| E                          | Glacier White  |                       |      |
| <b>Width</b>               |                |                       |      |
| 19                         | 19" Rack       |                       |      |
| 23                         | 23" Rack       |                       |      |
| 400                        | XX             | -                     | 6 XX |

800-834-4969 in U.S. & Canada • [www.chatsworth.com](http://www.chatsworth.com)



CHATSWORTH PRODUCTS

©2013 Chatsworth Products, Inc. All rights reserved. CPI, CPI Passive Cooling, GlobalFrame, MegaFrame, Saf-T-Grip, Seismic Frame, SlimFrame, TeraFrame, Cube-IT Plus, Evolution, OnTrac, Velocity and QuadraRack are federally registered trademarks of Chatsworth Products. eConnect and Simply Efficient are trademarks of Chatsworth Products. All other trademarks belong to their respective companies. 6/13