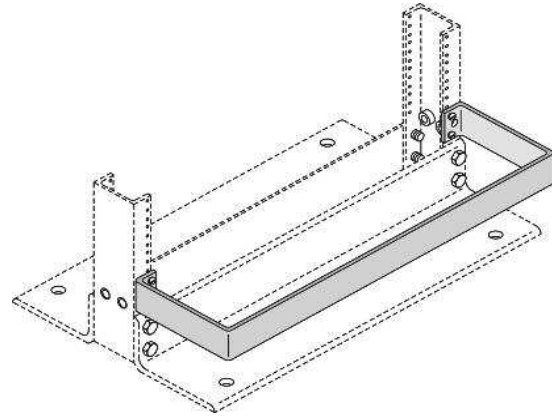


# Product Cut Sheet

## EQUIPMENT GUARD RAIL

Provides protection for equipment in racks from rolling gear or tool boxes.

- Made of 1/4" x 2" (6.4 mm x 50 mm) aluminum bar
- Mounting hardware is included; sold individually



400		Equipment Guard Rails	
<b>Stand Off - in (mm)</b>			
56		7 (180)	
57		6.5 (165)	
58		5.25 (133.4)	
59		4.25 (108)	
<b>Color</b>			
1		Gray	
2		Computer Beige	
5		Clear	
7		Black	
E		Glacier White	
<b>Width</b>			
19		19" Rack	
23		23" Rack	
400	XX	-	6 XX

800-834-4969 in U.S. & Canada • [www.chatsworth.com](http://www.chatsworth.com)



CHATSWORTH PRODUCTS

©2013 Chatsworth Products, Inc. All rights reserved. CPI, CPI Passive Cooling, GlobalFrame, MegaFrame, Saf-T-Grip, Seismic Frame, SlimFrame, TeraFrame, Cube-IT Plus, Evolution, OnTrac, Velocity and QuadraRack are federally registered trademarks of Chatsworth Products. eConnect and Simply Efficient are trademarks of Chatsworth Products. All other trademarks belong to their respective companies. 6/13