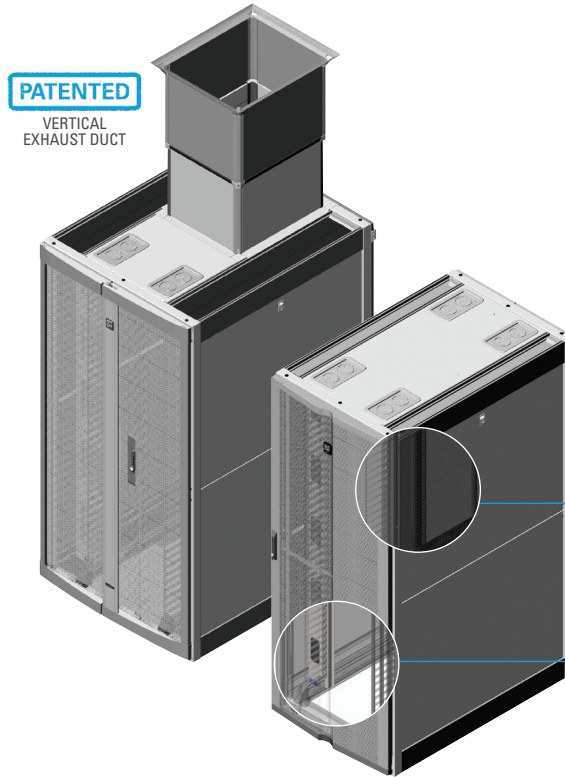


N-Series TeraFrame® Gen 3 Network Cabinet

A highly flexible network cabinet with built-in cable management. Supports and protects high-density network and storage switches in multi-tenant and enterprise data centers, computer rooms and network facilities.

KEY FEATURES

- Engineered solution designed for high-density network and storage switches and cabling
- Frame design provides maximum flexibility for mounting equipment, thermal, cable and power management accessories
- Provides complete separation of hot and cold air within the cabinet to expand your data center Aisle Containment strategy to your network infrastructure
- A universal solution for side airflow switches eliminates the need to order switch-specific thermal management accessories reducing planning complexity
- Order pre-configured for front-to-rear, front-to-top, side-to-rear or side-to-top airflow
- Use side-by-side with F-Series TeraFrame® Gen 3 Cabinet System or GF-Series GlobalFrame® Gen 2 Cabinet System
- Includes large cable entry ports on the top panel, T-shaped cable guides on the front mounting rails and a front-to-rear cable manager to organize cables; vertical cable managers are available as accessories



ADVANTAGES

- ➔ Vertical Exhaust Duct option available to maintain your data center Aisle Containment strategy. Matches cabinets for a uniform row.
- ➔ Dual slides provide maximum flexibility for mounting and positioning vertical cable management accessories and attaching overhead cable pathway and containment structures.
- ➔ Highly flexible side intake duct that can be adjusted to accommodate a range of switch sizes and manufacturers on-site.
- ➔ Allows for different size devices to be deployed simultaneously in the same cabinet without additional accessory kits.

SPECIFICATIONS

	Welded steel and bolted aluminum four-post frame
	Equipment mounting rails, two pairs
	Grounding/bonding system and ground lug
Includes	Leveling feet and transport casters
	Floor attachment brackets
	Baying kit
	PDU brackets, one pair, for mounting two vertical CPI PDUs
	Equipment mounting hardware, screws/cage nuts
Equipment Space	See Height, Width and Depth tables under Ordering Information/Dimensions
Load Capacity (per UL2416)	2500 lb (1134 kg), static load on leveling feet
Certifications	EIA-310-E compliant
	UL Listed 2416, NWIN, File #227626
Material	Steel frame, rails and panels
	Aluminum slides
Finish	Plastic brushes, seals, fingers, intake duct
	Epoxy-polyester hybrid powder coat paint on frame, rails, panels in Black or Glacier White
Environment	Brushes/seals, fingers, intake duct, door handles/hinges are black
	For indoor use only, in environmentally controlled areas, not harsh environments
Construction	Welded/bolted frame
	Mounting rails bolt to frame

Availability: Global

US & Canada

+1-800-834-4969
 Toronto, Ontario, Canada
 +905-850-7770
 chatsworth.com
 techsupport@chatsworth.com

Latin America

+52-55-5203-7525
 Toll Free within Mexico
 01-800-01-7592
 chatsworth.com.co

Europe

+44-1628-524-834
 chatsworth.com

Middle East & Africa

Dubai, UAE
 +971-4-2602125
 chatsworth.ae

Asia Pacific

+86 21 6880-0266
 chatsworth.com.cn



CHATSWORTH
 PRODUCTS

The N-Series TeraFrame Gen 3 Cabinet System is a network cabinet engineered for high-density cable and thermal management. Network cabinets are unique from server cabinets because they must manage large quantities of cables at both the front and the rear of the cabinet and control a mix of front-to-rear and side-to-side airflow through equipment.

To meet these unique requirements, the N-Series TeraFrame Gen 3 Cabinet System has a unique frame design with dual front-to-rear supports, which create a central space for rack-mount equipment with extra spaces along both sides of equipment for managing cables. To enhance cable management, the N-Series TeraFrame Gen 3 Cabinet System includes plastic T-shaped cable management guides (fingers) attached to the front pair of equipment mounting rails with openings that align with each rack mount space (U) for patch cords and a front-to-back cable manager along the side. Additionally, there is a large, full depth cable opening above both sides of the cabinet covered by your choice of a brush sealed or plastic grommet to block bypass airflow.

To enhance airflow management, the N-Series TeraFrame Gen 3 Cabinet System offers a Vertical Exhaust Duct or perforated rear doors and integrated internal air dams in four standard pre-configured solutions: front-to-rear, front-to-top, side-to-rear or side-to-top airflow. Front-to-rear airflow includes air dams that block airflow around equipment and perforated rear doors so hot air exits the rear of the cabinet. Front-to-top airflow includes a bottom panel, solid rear door and Vertical Exhaust Duct so hot air exits the top of the cabinet. Side airflow combines a front air dam and a side intake duct. The side intake duct is a full height plastic panel that is trimmed to match the intake on the switch. This is a universal solution that does not require you to know which switch will be used in order to specify side airflow and can support multiple switches or different switches stacked in the same cabinet. Side-to-top airflow combines the Vertical Exhaust Duct kit, air dam and side intake duct with a partially perforated rear door. Cold air enters the front or rear of the cabinet to provide additional cold air for high-density switches and hot air exits the top of the cabinet. All of these airflow solutions maintain strict hot and cold air separation within the cabinet allowing N-Series TeraFrame Gen 3 Cabinet System to fully integrate with your data center containment strategy.

Combine the N-Series TeraFrame Gen 3 Cabinet System with accessories and use together with F-Series TeraFrame Gen 3 Cabinet System, GF-Series GlobalFrame Gen 2 Cabinet System and CPI Aisle Containment to create a solution that fits your requirements. See inside for product details. Contact CPI Technical Support for configuration assistance.

SPECIFICATIONS

	Order with cabinet or as a service part
	Perforated front door
	Choice of solid, perforated or partially perforated rear door
	Perforated area is 78% open
	Solid door and Solid Door with Perforated Insert include a perimeter seal
	Front door opens to 120° when bayed
	TeraFrame-style door opens 130° when not bayed
Doors/Lock Kits	GlobalFrame-style door opens 145° when not bayed
	Rear door opens to 180° when bayed or not bayed
	Hinge pins allow easy removal during maintenance
	Reversible to open from the right or left, must move hinges/latch
	Interchangeable front or rear, must move hinges/latch
	Swing handle with choice of keyed or combination lock
	Combination lock has 1000 possible combinations
	Single-point latch on GlobalFrame-style front door; two-point latch on all other doors
	Order with cabinet or as a service parts
Side Panels	Solid, two-piece panels (half height, full depth)
	Recessed spring-loaded latch with lock, keyed to match doors
	Bay cabinets with panels installed or removed
	Order with cabinet or as a service part
Top Panel	Standard panel is a one-piece solid panel with four large grommets over cable openings, one per corner
	Unsealed cable openings are 4.5"W x 9.0"D (114 mm x 228 mm), wide enough to pass large PDU plugs
	Vertical Exhaust Duct is for use with cabinets 1050 mm D or deeper, includes the duct and a front panel with two grommet cable openings, one per corner, can be adjusted in height and has a flexible top seal; select size to match the distance between the top of the cabinet and the overhead drop ceiling
	Open, full-depth spaces along both sides of the cabinet for cable entry
Cable Entry	Includes snap on brush sealed or plastic grommets to cover the openings on the top of the cabinet to control airflow
	Brush grommets form around cables; plastic grommets can be cut to pass cables
	Cabinets that include an Air Manager have grommets for bottom openings also
	Included with cabinets that have an Air Manager or Vertical Exhaust Duct top panel
Bottom Panel	Bottom panel is a two-piece solid panel with two large grommets over cable openings in the back corners
	Grommets are plastic, snap on, seal cable openings, and can be cut to pass cables
	Unsealed cable openings are 4.5"W x 9.0"D (114 mm x 228 mm), wide enough to pass large PDU plugs
	Included with cabinets that have a Front Air Dams or Side Intake Duct Air Manager
Air Dams	Full height vertical panel that seals the space between the equipment mounting rail and the side of the cabinet
	Each panel has five grommet sealed cable openings to allow front-to-rear cabling
	Cable openings in 31.5"W (800 mm) cabinets are 5.5"H x 2.0"W (140 mm x 51 mm)
	Cable openings in 40.0"W (1016 mm) cabinets are 9.0"H x 4.5"W (228 mm x 114 mm)
	Included with cabinets that have a Side Intake Duct Air Manager
Side Intake Duct	Full height panel that seals the space along the side of the cabinet between the front equipment mounting rail and the rear door
	Can be cut to match the intake opening on switches that require side airflow
	Allows cold air to flow along one side of the cabinet and keeps hot air separated on the other side of the cabinet
	Two pairs of mounting rails in the cabinet
	Adjustable depth, rails slide front-to-back, marks on the frame for easy vertical alignment
Equipment Support	1-3/4"H (44.45 mm) U spacing, marked and numbered on all rails
	19"W, EIA-310-E Universal 5/8"-5/8"-1/2" (15.9 mm – 15.9 mm – 12.7 mm) vertical hole spacing
	Square-punched or #12-24 tapped mounting holes
	Includes 50 each M6 cage nuts and screws with square punched rails or 100 each #12-24 screws with tapped rails
Grounding/Bonding	Mounting rails, top panel, side panels and doors are electrically bonded to the cabinet frame
	Prepared location for ground lug at the top and bottom of the cabinet frame
	A ground lug is included to attach the frame to ground
	One pair of brackets and installation hardware
	Use with CPI Vertical Power Strips or PDUs
PDU Brackets	Supports two 2.2"W (56 mm) or narrower PDUs side-by-side or one PDU up to 3.5"W (89 mm)
	Attaches to the frame in either back corner
	Provides tool-less attachment points spaced 61.25" (1556 mm) apart on all cabinets
	Provides alternate tool-less attachment points spaced 64.75" (1645 mm) apart on cabinets 44U or taller
	Full height bracket with cable tie points is also available as an accessory

ORDERING INFORMATION

Use the part number matrix below to configure a N-Series TeraFrame Gen 3 Cabinet. Choose **Height**, **Width/Air Manager**, **Depth**, **Rail Style**, **Front Door**, **Rear Door**, **Latch**, **Color**, **Top Panel Style**, **Side Panel Style** and **Cable Entry Style**. *Example Part Number: NF5U-114C-E52-1.*

N H W D - R F R L - C T S - E

1. Height			
U	in	mm	
42	78.1	1984	C
43	79.9	2029	D
44	81.6	2073	E
45	83.4	2117	F
46	85.1	2162	G
47	86.9	2206	H
48	88.6	2251	J
49	90.4	2295	K
50	92.1	2340	L
51	93.9	2384	M
52	95.6	2429	N

Height includes transport casters.

2. Width		Included Air Manager	
in	mm		
31.5	800	No Air Manager	0
31.5	800	Front Air Dams	7
31.5	800	Side Intake Duct	1
40.0	1016	No Air Manager	6
40.0	1016	Front Air Dams	8
40.0	1016	Side Intake Duct	5

40.0"W (1016 mm) cabinets are only available 44.3"D (1100 mm) or deeper.

3. Depth		With Doors		
in	mm	in	mm	
39.4	1000	43.3	1100	J
40.4	1025	44.3	1125	K
41.3	1050	45.3	1150	L
42.3	1075	46.3	1175	M
43.3	1100	47.3	1200	N
44.3	1125	48.2	1225	P
45.3	1150	49.2	1250	R
46.3	1175	50.2	1275	T
47.2	1200	51.2	1300	U

Frame Depth does not include doors. Front door adds 2.4" (61 mm). Rear door adds 1.5" (38 mm). See Dimensional Drawing.

4. Equipment Mounting Rail Style	
Square-Punched, 2-Pair	1
Tapped, #12-24, 2-pairs	2

5. Front Door	
None	0
Perforated Metal, matches F-Series TeraFrame Gen 3 Cabinet	1
Perforated Metal, matches GF-Series GlobalFrame Gen 2 Cabinet	2

Single door on the 31.5"W (800 mm) cabinet. Double door on the 40.0"W (1016 mm) cabinet.

11. Cable Entry Cover	
0	Plastic Grommet
1	Brush Sealed

10. Side Panel Style	
0	None
1	Solid, 1 each
2	Solid, 2 each

Include side panels on all cabinets with Front Air Dams or Side Intake Duct Air Managers.

9. Top Panel Style	
4	Standard Top
5	Vertical Exhaust Duct, 20"-34"H (508-863 mm)
6	Vertical Exhaust Duct, 34"-60"H (863-1523 mm)
7	Vertical Exhaust Duct, 14"-20"H (356-508 mm)

Options 5, 6, & 7 are for cabinets that are 41.3"D (1050 mm) or deeper. Use Solid Metal Rear Door or Solid Metal with Perforated Insert Rear Door with Vertical Exhaust Duct. Vertical Exhaust Duct includes a Bottom Panel.

8. Color	
C	Black
E	Glacier White

7. Latch/Locks Kits	
C	Two-Point, Keyed Lock
E	Two-Point, Keyed/Combination Lock
N	None

There is a single-Point latch on front door that matches GF-Series GlobalFrame Gen 2 Cabinet

6. Rear Door	
0	None
3	Double, Perforated Metal
4	Solid Metal with Perforated Insert
5	Solid Metal

Use Double Perforated Metal door with Standard Top panel. Use Solid Metal With Perforated Insert with Vertical Exhaust Duct and Side Intake Duct. Use Solid Metal door with Vertical Exhaust Duct and Air Dams. Solid Metal with Perforated Insert and Solid Metal doors are single doors on the 31.5"W (800 mm) cabinet and double doors on the 40.0"W (1016 mm) cabinet.

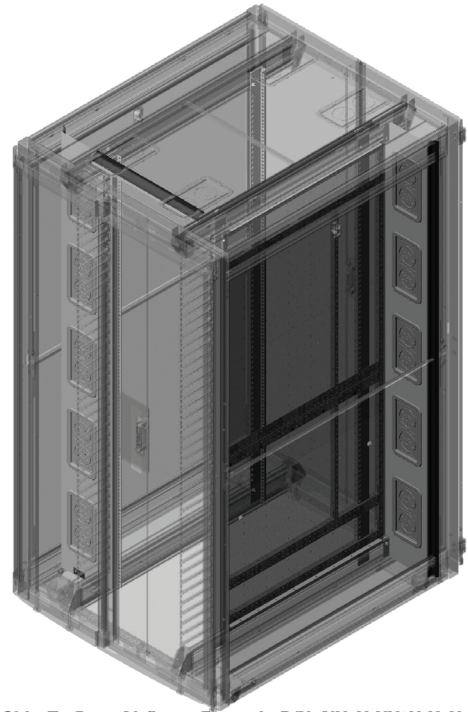
Notes:

- 2. Width/Included Air Manager: Order your cabinet pre-configured with internal air managers to support front-to-rear airflow or side airflow. See the next page for standard air manager, rear door and top panel configurations.
- 10. Cable Entry Cover: N-Series Cabinet has front-to-rear cable openings along both sides of the cabinet. Cable Entry Cover identifies the type of cover included with the cabinet to seal the openings. The Plastic Grommet is a solid plastic grommet that can be cut to pass cables. The Brush Sealed cover forms around cables. All cabinets include covers at the top of the cabinet. Cabinets that include Front Air Dams or Side Intake Duct Air Managers have covers at the bottom of the cabinet also.

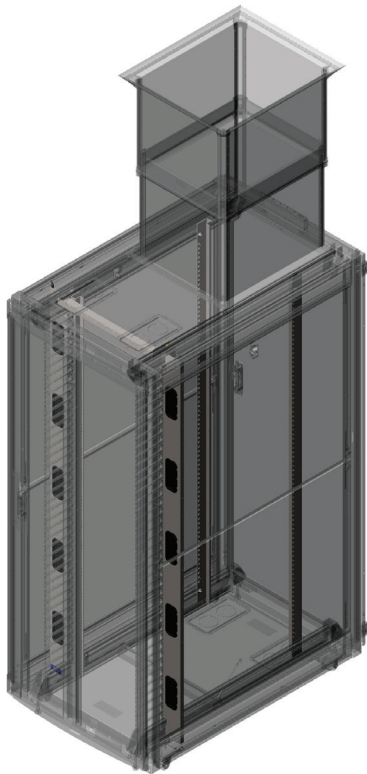
CABINET CONFIGURATION STYLES:



Front-To-Rear Airflow - Example P/N: NX7X-XX3X-X4X-X
Combine Front Air Dams with Perforated Rear Door and Standard Top Panel. Front Air Dams block airflow around the sides of equipment.



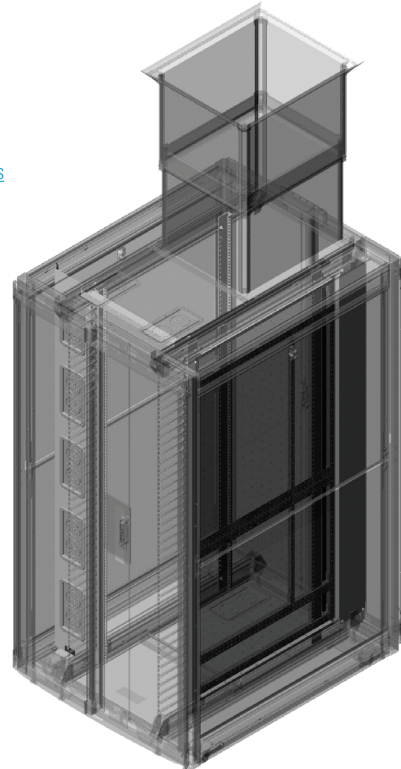
Side-To-Rear Airflow - Example P/N: NX5X-XX3X-X4X-X
Combine Side Intake Duct with Perforated Rear Door and Standard Top Panel. Side Intake Duct allows cold air to enter either side of a switch.



Front-To-Top Airflow - Example P/N: NX7X-XX5X-X5X-X
Combine Front Air Dams with Solid Metal Rear Door and Vertical Exhaust Duct Top Panel to remove hot air through the top of the cabinet.

PATENTED
VERTICAL
EXHAUST DUCT

U.S. patents apply to this product. For details visit www.chatsworth.com/patents



Side-To-Top Airflow - Example P/N: NX5X-XX4X-X5X-X
Combine Side Intake Duct with Solid Metal Rear Door with Perforated Insert and Vertical Exhaust Duct Top Panel. Side airflow; top exhaust.

DIMENSION TABLES

Height Dimensions - in (mm)			
Rack Mount Spaces (U)	Overall with Casters	Frame Only No Casters	Front Opening
42	78.1 (1984)	77.4 (1965)	73.8 (1875)
43	79.9 (2029)	79.1 (2010)	75.6 (1920)
44	81.6 (2073)	80.9 (2054)	77.3 (1963)
45	83.4 (2117)	82.6 (2099)	79.1 (2009)
46	85.1 (2162)	84.4 (2143)	80.8 (2052)
47	86.9 (2206)	86.1 (2187)	82.6 (2098)
48	88.6 (2251)	87.9 (2232)	84.3 (2141)
49	90.4 (2295)	89.6 (2276)	86.1 (2187)
50	92.1 (2340)	91.4 (2321)	87.8 (2230)
51	93.9 (2384)	93.1 (2365)	89.6 (2276)
52	95.6 (2429)	94.9 (2410)	91.3 (2319)

Casters add approximately 0.7" (19 mm) to frame and are factory installed on the cabinet. Casters are removed during cabinet installation. Leveler feet are included. Frame height matches F-Series TeraFrame Gen 3 Cabinet and GF-Series GlobalFrame Gen 2 Cabinet.

Width Dimensions - in (mm)			
Nominal Width	Overall with Side Panels	Front Opening	Rack-Mount Panel Width
800	31.5 (800)	27.5 (698)	19"EIA (482.6)
1016	40.0 (1016)	35.9 (912)	19"EIA (482.6)

Mounting Rail clearance is 17.8" (452 mm), mounting hole spacing is 18.3" (465 mm).

Depth Dimensions - in (mm)			
Nominal Depth	Overall with Doors	Frame Only No Doors	Maximum Rail Depth
1000	43.3 (1100)	39.4 (1000)	27.3 (693)
1025	44.3 (1125)	40.4 (1025)	28.3 (718)
1050	45.3 (1150)	41.3 (1050)	29.3 (743)
1075	46.3 (1175)	42.3 (1075)	30.3 (768)
1100	47.3 (1200)	43.3 (1100)	31.2 (793)
1125	48.2 (1225)	44.3 (1125)	32.2 (818)
1150	49.2 (1250)	45.3 (1150)	33.2 (843)
1175	50.2 (1275)	46.3 (1175)	34.2 (868)
1200	51.2 (1300)	47.2 (1200)	35.2 (893)

Front door is approximately 2.4"D (61 mm) and Rear Door is approximately 1.5"D (38 mm) with hinges/latches. Maximum rail depth includes an allowance for the cable management fingers on the front rails. Minimum rail depth is 2.8" (71 mm), each rail is 2.3"D (58 mm). Rail depth is reduced when vertical accessories are placed in corners.

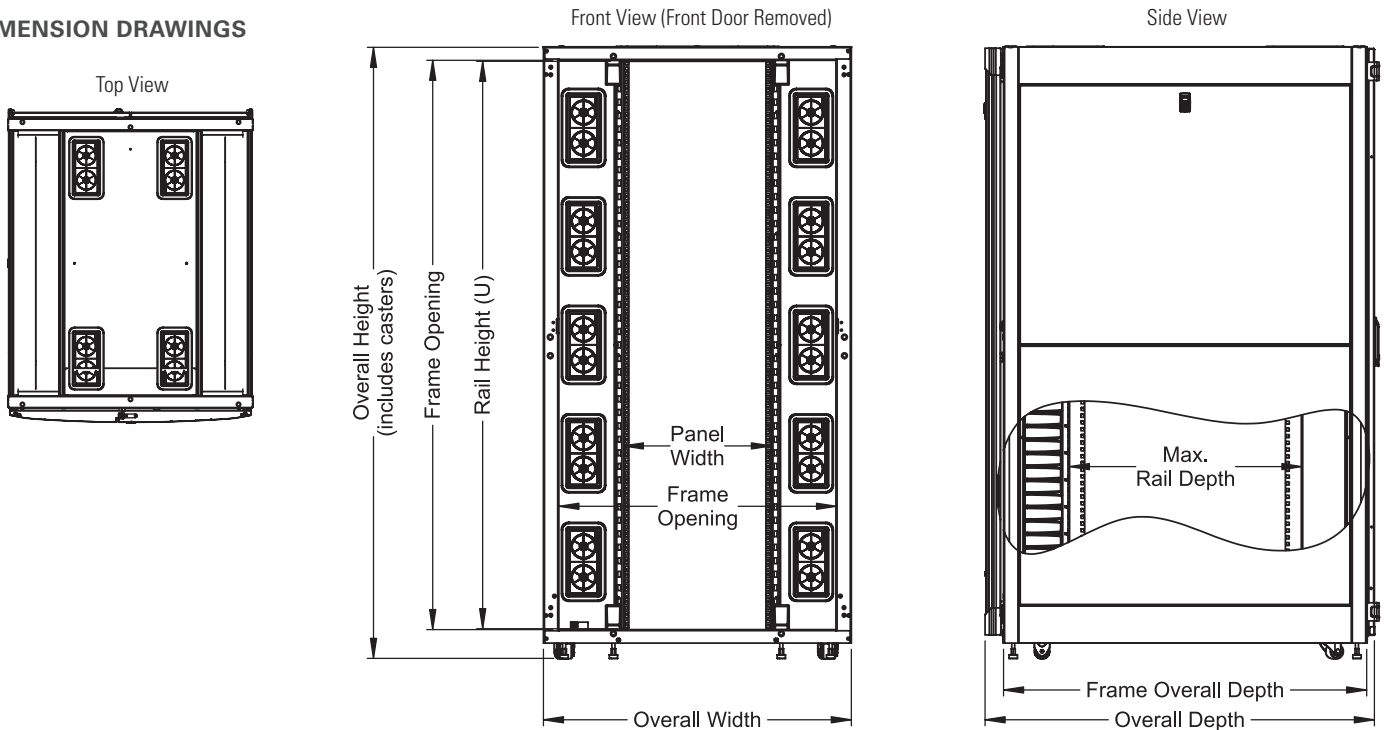
USE WITH

- Snap-In Filler Panels
- Cable Lashing Manager
- Ring Cable Manager
- Telescoping Cable Manager
- Full Height PDU Bracket
- Full Height Dual PDU
- Click-Nut Hardware Kit

RELATED PRODUCTS

- Vertical PDUs and Power Strips
- Aisle Containment Solutions

DIMENSION DRAWINGS



CABLE MANAGEMENT ACCESSORIES

Organizing and separating network and power cables simplifies maintenance activities, making it easier to trace cables during troubleshooting, moves, adds and changes. Cable management accessories provide an assortment of options for organizing cables by rack-mount space (U), in easy to access bundles using cable rings or more permanent bundles using lashing bars.



Telescoping Cable Manager

Telescoping Cable Manager attaches to the sides of the front and rear equipment mounting rail providing a front-to-rear or vertical pathway for cables along the side of equipment.

- Attaches to and adjusts in depth with mounting rails, fully compatible with Front Air Dams and Side Intake Duct
- Five smooth, plastic L-shaped spools support cables
- Spools on 31.5"W (800 mm) model are 2.5"H x 2.6"D (64 mm x 66 mm)
- Spools on 40.0"W (1016 mm) model are 3.3"H x 6.8"D (84 mm x 173 mm)
- Spools rotate and lock in 90-degree increments and can be adjusted to manage horizontal or vertical cable runs
- Includes: cable manager, five cable spools, hardware
- Material: Steel manager, plastic spools
- Select part number to match the color of the cabinet

Part Number - Cabinet Width		Frame Depth in (mm)	Shipping Weight lb (kg)
31.5" (800 mm)	40.0" (1016 mm)		
39377-X01	39377-X02	Any	5 (2.3)

X=Color, C=Black, E=Glacier White. Shipping Weights are for 1016 mm kits.

Tool-less Bend Radius Kit for Fiber Patch Cords

Tool-less Bend Radius Kit for Fiber Patch Cords ensures proper bend radius support for fiber optic patch cords when transitioning through T-shaped cable guides. It snaps onto the finger manager without any tools, and can be used for new or retrofit applications.

- Provides proper bend radius support for fiber optic patch cords
- Tool-less installation
- May be installed in upward or downward orientations on either side of a T-shaped cable guide
- Available in packs of 10 or 50

Part Number	Description	Shipping Weight lb (kg)
32697-001	Tool-less Bend Radius Kit for Fiber Patch Cords, Pack of 10	1 (0.5)
32697-002	Tool-less Bend Radius Kit for Fiber Patch Cords, Pack of 50	3 (1.4)

Notes: Color is Black.



Radius Drop

Radius Drop attaches to the top of the cabinet and provides a smooth curved support where cables exit or enter the cable management space along the sides of the cabinet.

- Attaches to the top of the cabinet to support cables as they exit/enter the cabinet
- Radius drop is 11"L (279 mm) with a 1.3" (33 mm) diameter radius
- Includes: radius drop, installation hardware
- Material: Aluminum; select part number to match the color of the cabinet

Part Number - Cabinet Width		Frame Depth in (mm)	Shipping Weight lb (kg)
31.5" (800 mm)	40.0" (1016 mm)		
39327-X01	39327-X01	Any	1 (0.5)

X=Color, C=Black, E=Glacier White.

Cable Lashing Manager

Cable Lashing Manager creates a simple vertical pathway for multiple cable bundles and has multiple attachment points for securing cables using CPI Saf-T-Grip® Straps or zip ties. Use to support network cables along the sides of the cabinet.

- Attaches to the frame, adjusts in depth independent of the equipment mounting rails
- Two sizes: Slim and Wide
- Slim manager is 5"W (130 mm) and has three vertical columns of attachment points for 1.5" (38 mm) diameter cable bundles, 5 in² (3200 mm²) cable fill area
- Wide manager is 9.8"W (250 mm) and has five vertical columns of attachment points for 1.5" (38 mm) diameter cable bundles, 9.8 in² (6320 mm²) cable fill area
- Includes: Bracket and installation hardware, order Saf-T-Grips or cable ties separately
- Material: Steel; Select part number to match usable height and color of the cabinet

Part Number		Height (U)	Shipping Weight lb (kg)
Slim 5.1"W (130 mm)	Wide 9.8"W (250 mm)		
39380-X00	39381-X00	42	19 (8.9)
39380-X01	39381-X01	43	20 (9.1)
39380-X02	39381-X02	44	20 (9.1)
39380-X03	39381-X03	45	21 (9.5)
39380-X04	39381-X03	46	21 (9.5)
39380-X05	39381-X05	47	21 (9.5)
39380-X06	39381-X06	48	22 (10.0)
39380-X07	39381-X07	49	22 (10.0)
39380-X08	39381-X08	50	23 (10.4)
39380-X09	39381-X09	51	23 (10.4)
39380-X10	39381-X10	52	24 (10.9)

X=Color, C=Black, E=Glacier White. Shipping Weights are for Wide managers.

ADDITIONAL ACCESSORIES

Additional Accessories - Thermal Management		
Part Number	Description	Shipping Weight lb (kg)
34537-X01	Snap-In Filler Panel, 1U x 19"W (482.6 mm), 6 Pack	14 (6.4)*
34537-X02	Snap-In Filler Panel, 1U x 19"W (482.6 mm), 50 Pack	14 (6.4)
34538-X01	Snap-In Filler Panel, 2U x 19"W (482.6 mm), 6 Pack	21 (9.5)*
34538-X02	Snap-In Filler Panel, 2U x 19"W (482.6 mm), 50 Pack	21 (9.5)
Raised Floor Grommet		
13671-001	Raised Floor Grommet, Each, with Hardware, Black	2 (1.4)
13671-002	Raised Floor Grommet, with Hardware, 10 Pack, Black	18 (8.2)

X=Color, O=Black, E=Glacier White. *Shipping Weights are for 50 pack.

Additional Accessories - Klik-Nut™ Hardware Kits		
Part Number	Description	Shipping Weight lb (kg)
76543-001	Klik-Nut Hardware Kit, Cage Nuts, Screws, M6, 25 Pack, Zinc	1 (0.5)
76544-001	Klik-Nut Hardware Kit, Cage Nuts, Screws, #12-24, 25 Pack, Zinc	1 (0.5)
76545-001	Klik-Nut Hardware Kit, Cage Nuts, Screws, #10-32, 25 Pack, Zinc	1 (0.5)

Note: Additional quantities available.

CABLE MANAGEMENT ACCESSORIES (CONTINUED)



Full Height Dual PDU Bracket

Full Height Dual PDU Bracket supports two vertical PDUs side-by-side and has multiple slots for CPI Saf-T-Grip® Straps or tie wraps to secure cords to the bracket.

- Attaches to the frame, adjusts in depth independent of the mounting rails
- Available in two widths: Dual and Wide
- Dual bracket is 4.8"W (121 mm) and supports two PDUs up to 2.2"W (56 mm) side-by-side
- Dual bracket supports most eConnect PDUs and power strips side-by-side
- Wide bracket is 5.8"W (147 mm) and supports two PDUs up to 2.7"W (69 mm) side-by-side
- Wide bracket is required to mount two 6-breaker eConnect PDUs (series P/N PX-3XXXX) side-by-side
- Tool-less mounting on 28" (711 mm), 61.25" (1556 mm) or 64.75" (1645 mm) centers
- Includes: brackets, installation hardware, order Saf-T-Grips or cable ties separately
- Material: Steel; Select part number to match the usable height and color of the cabinet

Part Number		Height (U)	Shipping Weight lb (kg)
Dual	Wide		
4.8"W (121mm)	5.8"W (147 mm)		
39086-X00	39221-X00	42	10 (4.5)
39086-X01	39221-X01	43	10 (4.5)
39086-X02	39221-X02	44	11 (5.0)
39086-X03	39221-X03	45	11 (5.0)
39086-X04	39221-X03	46	11 (5.0)
39086-X05	39221-X05	47	12 (5.4)
39086-X06	39221-X06	48	12 (5.4)
39086-X07	39221-X07	49	12 (5.4)
39086-X08	39221-X08	50	12 (5.4)
39086-X09	39221-X09	51	12 (5.4)
39086-X10	39221-X10	52	13 (5.9)

X=Color: C=Black, E=Glacier White.



Ring Cable Manager

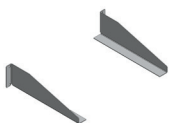
Ring Cable Manager creates a simple vertical pathway for patch and jumper cords and has C-shaped rings to organize and secure cables. Use to support patch cords and jumper cords near the front of the cabinet.

- Attaches to the frame, adjusts in depth independent of the equipment mounting rails
- Rings have an opening on the front for easy addition and removal of cables
- Includes: bracket, rings and installation hardware
- Material: Steel bracket, plastic rings
- Finish: Black or Glacier White; rings are black
- Select part number to match the width, usable height and color of the cabinet

Part Number - Cabinet Width		Height (U)	Shipping Weight lb (kg)
31.5" (800 mm)	40.0" (1016 mm)		
39128-X00	39129-X00	42	14 (6.4)
39128-X01	39129-X01	43	14 (6.4)
39128-X02	39129-X02	44	14 (6.4)
39128-X03	39129-X03	45	14 (6.4)
39128-X04	39129-X03	46	14 (6.4)
39128-X05	39129-X05	47	15 (6.8)
39128-X06	39129-X06	48	15 (6.8)
39128-X07	39129-X07	49	15 (6.8)
39128-X08	39129-X08	50	15 (6.8)
39128-X09	39129-X09	51	15 (6.8)
39128-X10	39129-X10	52	15 (6.8)

X=Color; C=Black, E=Glacier White. Shipping Weights are for 40.0"W (1016 mm) managers.

Inside Dimensions, Usable Internal Cable Area			
Cabinet Width	Width in (mm)	Depth in (mm)	Cable Area in ² (mm ²)
31.5 (800)	2.3 (58)	5.5 (140)	12.6 (8130)
40.0 (1016)	4.2 (107)	3.5 (89)	14.7 (9480)



Equipment Support Bracket

mounts to the rear rails to of the N Series TeraFrame to provide additional support and safety for deep or heavy electronic equipment panels mounted on CPI racks or cabinets.

- Supports equipment weighing up to 60 lbs (27.2 kg)
- Made of Strong, lightweight aluminum
- Overall depth is 13" (330 mm); chassis support lip is 1.5" W (38 mm)
- Fits all EIA Standard, hole-patterned equipment mounting rails, cabinets and four-post racks
- Eliminates equipment sag caused by cantilevered mounting

Part Number	Description	Shipping
12312-X01	Equipment Support Bracket, One Pair	2 (0.9)

X=Color: C=Black, E=Glacier White.

Service Parts

Service parts include mounting rails, top panels, side panels, doors and door lock kits and are used as replacement parts or to upgrade cabinets as applications change. The N-Series TeraFrame Service Parts Cut Sheet is available for download at www.chatsworth.com/N-Series or contact CPI Technical Support at 800-834-4969 or techsupport@chatsworth.com for assistance.



CPI now offers Extended Limited Warranties on CPI-Branded Electronic products, available for two additional years beyond the expiration of the Original Warranty Period (3 years).

Contact CPI Customer Service, or visit www.chatsworth.com/warranty for more information.

For product CSI Specs, visit the Support & Downloads page on www.chatsworth.com.



While every effort has been made to ensure the accuracy of all information, CPI does not accept liability for any errors or omissions and reserves the right to change information and descriptions of listed services and products.

©2017 Chatsworth Products, Inc. All rights reserved. Chatsworth Products, CPI, CPI Passive Cooling, eConnect, RMR, Mega-Frame, Saf-T-Grip, SeismicFrame, SlimFrame, TeraFrame, GlobalFrame, CUBE-iT PLUS, Evolution, OnTrac, QuadraRack and Velocity are federally registered trademarks of Chatsworth Products. Simply Efficient, Secure Array, EuroFrame, Click-Nut and Motive are trademarks of Chatsworth Products. All other trademarks belong to their respective companies.

Rev.7 07/17 MKT-60020-605