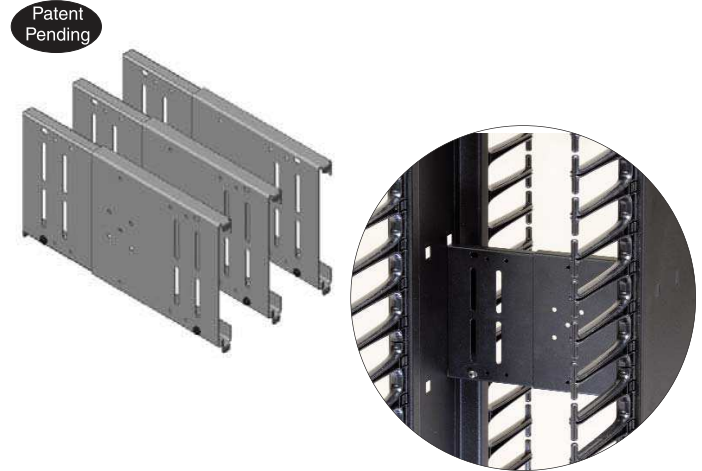


# Product Information Sheet

## Movable Mid-Section Kit for Evolution™ Cable Manager

Kit includes three additional movable mid-sections for the Evolution g2 Double-Sided Vertical Cable Manager.

- Select to match the width of the cable manager
- Includes installation hardware



*Movable Mid-Section  
installed on Evolution Cable  
Manager*

Part Number	Description	Shipping Weight
35493-701	For 6"W (150 mm) Evolution g2 Double-Sided Vertical Cable Manager	4 lb (1.8 kg)
35493-702	For 8"W (200 mm) Evolution g2 Double-Sided Vertical Cable Manager	5 lb (2.3 kg)
35493-703	For 10"W (250 mm) Evolution g2 Double-Sided Vertical Cable Manager	5 lb (2.3 kg)
35493-704	For 12"W (300 mm) Evolution g2 Double-Sided Vertical Cable Manager	7 lb (3.2 kg)
35493-705	For 15"W (380 mm) Evolution g2 Double-Sided Vertical Cable Manager	8 lb (3.6 kg)

*Color is Black.*

800-834-4969 in U.S. & Canada • [www.chatsworth.com](http://www.chatsworth.com)



CHATSWORTH PRODUCTS, INC.

©2008 Chatsworth Products, Inc. All rights reserved. CPI, CPI Passive Cooling, Saf-T-Grip, Seismic Frame, SlimFrame and MegaFrame are federally registered trademarks of Chatsworth Products, Inc. Cube-IT Plus, Evolution, Simply Efficient, TeraFrame and QuadraRack are trademarks of Chatsworth Products, Inc. All other trademarks belong to their respective companies. 09/08