

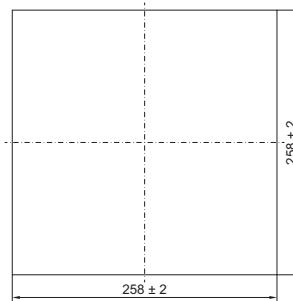
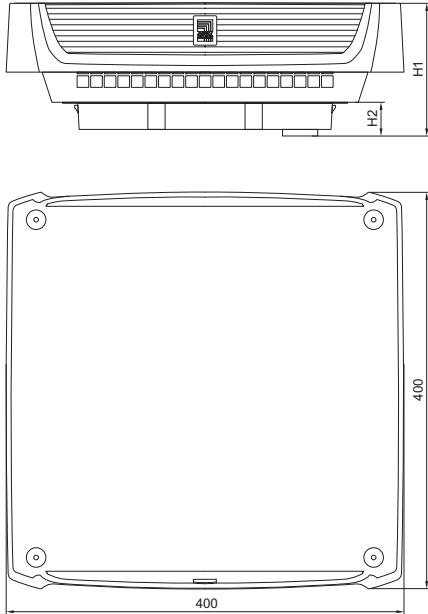
Climate control

Cooling with ambient air

Roof-mounted fans, roof vent

SK 3138.000, SK 3139.100, SK 3139.110, SK 3140.100, SK 3140.110, SK 3140.140, SK 3140.500, SK 3140.510

Mounting cut-out



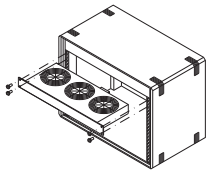
Model No. SK	H1 mm	H2 mm
3138.000	133	27.5
3139.100	133	34.6
3139.110	133	34.6
3140.100	133	34.6
3140.110	133	34.6
3140.140	133	34.6
3140.500	133	34.6
3140.510	133	34.6

Rack-mounted fans

for 482.6 mm (19")

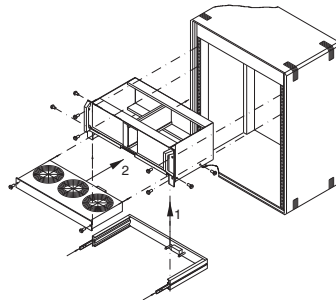
Rack-mounted fan
SK 3340.230, SK 3341.115, SK 3341.230,
SK 3342.024, SK 3342.230, SK 3342.500

Mounted between a pair of 482.6 mm (19")
mounting angles



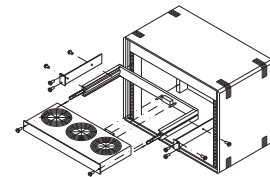
Rack-mounted fan Vario
SK 3350.230, SK 3351.230,
SK 3352.230, SK 3352.500

Mounted in subracks 84 HP



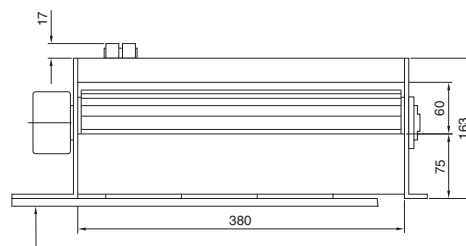
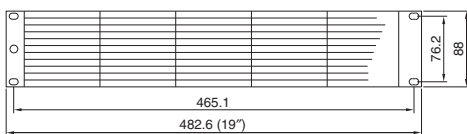
Rack-mounted fan Vario
SK 3350.230, SK 3351.230,
SK 3352.230, SK 3352.500

Mounted between a pair of 482.6 mm (19")
mounting angles



Tangential fan

3144.000



Front grille