

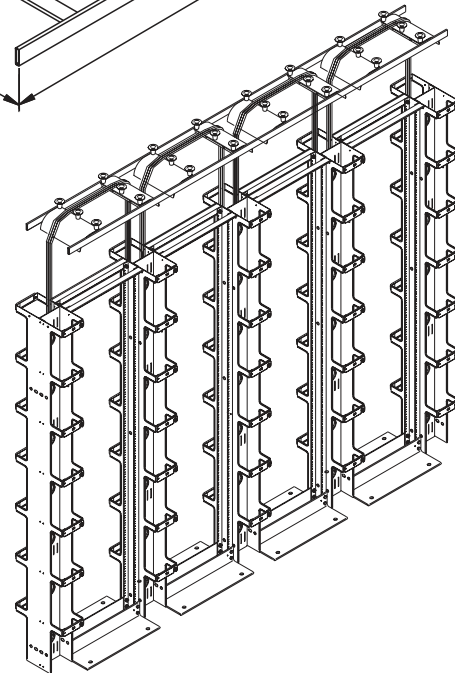
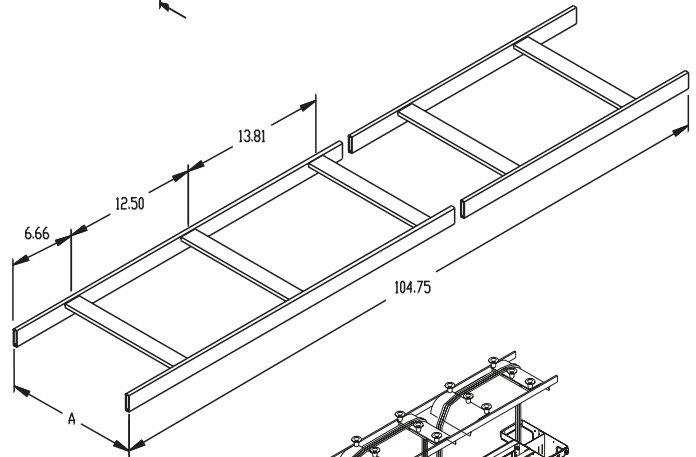
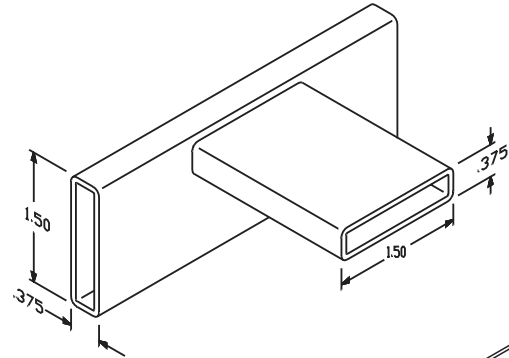
Product Information Sheet

ALTERNATE SPACE CABLE RUNWAY

Designed specifically for use over 19" wide racks (CPI Series 55053, 46353, or 66353) and 6" wide Double-Sided Vertical Cabling Sections (CPI Series 11729).

A single 104.75" long space will transition a row of four racks and five cabling sections (as shown lower left).

- Runway cross-members are spaced to simplify horizontal to vertical alignment of Cross Member Radius Drops
- Eliminates additional hardware, time-consuming field fabrication, and complicated adjustments required with traditional products



| Part Number/Color | | | Width (Dim. A) | Shipping Weight |
|-------------------|-----------|-----------|-------------------|--------------------|
| Gray | White | Black | | |
| 31472-106 | 31472-206 | 31472-706 | 6" | 17 lb |
| 31472-112 | 31472-212 | 31472-712 | 12" | 24 lb |
| 31472-118 | 31472-218 | 31472-718 | 18" | 28 lb |
| 31472-124 | 31472-224 | 31472-724 | 24" | 31 lb |

800-834-4969 in US & Canada • www.chatsworth.com



CHATSWORTH PRODUCTS, INC.