

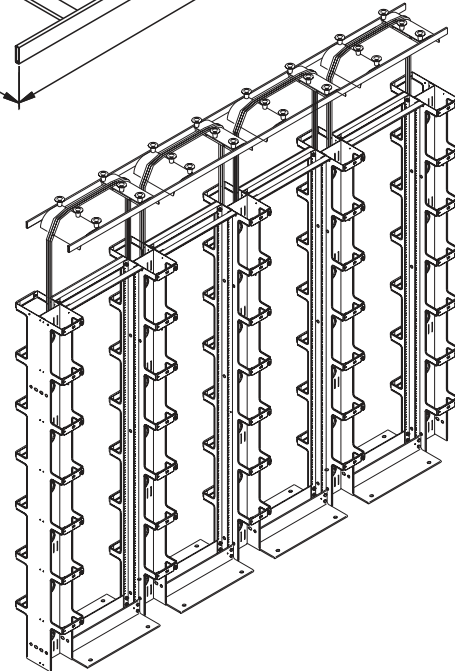
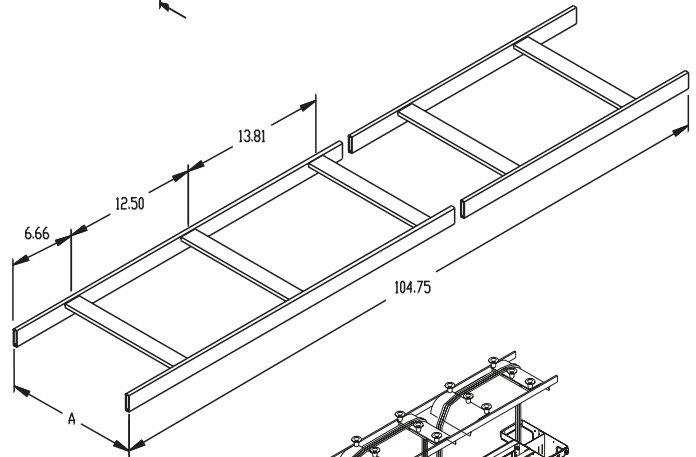
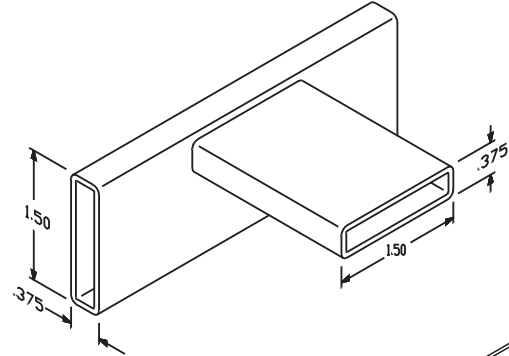
Product Information Sheet

ALTERNATE SPACE CABLE RUNWAY

Designed specifically for use over 19" wide racks (CPI Series 55053, 46353, or 66353) and 6" wide Double-Sided Vertical Cabling Sections (CPI Series 11729).

A single 104.75" long space will transition a row of four racks and five cabling sections (as shown lower left).

- Runway cross-members are spaced to simplify horizontal to vertical alignment of Cross Member Radius Drops
- Eliminates additional hardware, time-consuming field fabrication, and complicated adjustments required with traditional products



Part Number/Color			Width (Dim. A)	Shipping Weight
Gray	White	Black		
31472-106	31472-206	31472-706	6"	17 lb
31472-112	31472-212	31472-712	12"	24 lb
31472-118	31472-218	31472-718	18"	28 lb
31472-124	31472-224	31472-724	24"	31 lb

800-834-4969 in US & Canada • www.chatsworth.com



CHATSWORTH PRODUCTS, INC.

©2001 Chatsworth Products, Inc. 11/02