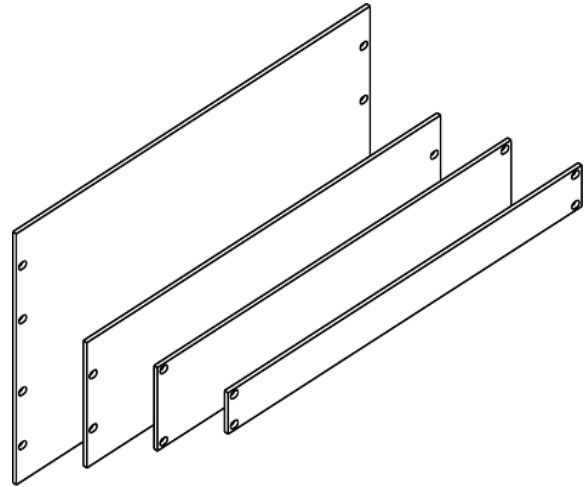


# Product Cut Sheet

## FILLER PANEL

For airflow control and/or equipment mounting, fill empty spaces between mounted equipment.



Filler Panels																											
300	Filler Panels																										
	<table border="1"> <thead> <tr> <th>Thickness - in (mm)</th> <th>Width</th> </tr> </thead> <tbody> <tr> <td>24</td> <td>3/16 (4.763) 19"</td> </tr> <tr> <td>25</td> <td>3/16 (4.763) 23"</td> </tr> <tr> <td>26</td> <td>1/8 (3.18) 19"</td> </tr> <tr> <td>27</td> <td>1/8 (3.18) 23"</td> </tr> </tbody> </table>	Thickness - in (mm)	Width	24	3/16 (4.763) 19"	25	3/16 (4.763) 23"	26	1/8 (3.18) 19"	27	1/8 (3.18) 23"																
Thickness - in (mm)	Width																										
24	3/16 (4.763) 19"																										
25	3/16 (4.763) 23"																										
26	1/8 (3.18) 19"																										
27	1/8 (3.18) 23"																										
	<table border="1"> <thead> <tr> <th colspan="2">Color</th> </tr> </thead> <tbody> <tr> <td>1</td> <td>Gray</td> </tr> <tr> <td>2</td> <td>Computer Beige</td> </tr> <tr> <td>5</td> <td>Clear</td> </tr> <tr> <td>7</td> <td>Black</td> </tr> <tr> <td>E</td> <td>Glacier White</td> </tr> </tbody> </table>	Color		1	Gray	2	Computer Beige	5	Clear	7	Black	E	Glacier White														
Color																											
1	Gray																										
2	Computer Beige																										
5	Clear																										
7	Black																										
E	Glacier White																										
	<table border="1"> <thead> <tr> <th>Spaces - in (mm)</th> <th>U</th> </tr> </thead> <tbody> <tr><td>01</td><td>1.72 (43.7) 1</td></tr> <tr><td>02</td><td>3.47 (88.1) 2</td></tr> <tr><td>03</td><td>5.22 (132.6) 3</td></tr> <tr><td>04</td><td>6.97 (177.0) 4</td></tr> <tr><td>05</td><td>8.72 (221.5) 5</td></tr> <tr><td>06</td><td>10.47 (265.9) 6</td></tr> <tr><td>07</td><td>12.22 (310.4) 7</td></tr> <tr><td>08</td><td>13.97 (354.8) 8</td></tr> <tr><td>09</td><td>15.72 (399.3) 9</td></tr> <tr><td>10</td><td>17.47 (443.7) 10</td></tr> <tr><td>11</td><td>19.22 (488.2) 11</td></tr> <tr><td>12</td><td>20.97 (532.6) 12</td></tr> </tbody> </table>	Spaces - in (mm)	U	01	1.72 (43.7) 1	02	3.47 (88.1) 2	03	5.22 (132.6) 3	04	6.97 (177.0) 4	05	8.72 (221.5) 5	06	10.47 (265.9) 6	07	12.22 (310.4) 7	08	13.97 (354.8) 8	09	15.72 (399.3) 9	10	17.47 (443.7) 10	11	19.22 (488.2) 11	12	20.97 (532.6) 12
Spaces - in (mm)	U																										
01	1.72 (43.7) 1																										
02	3.47 (88.1) 2																										
03	5.22 (132.6) 3																										
04	6.97 (177.0) 4																										
05	8.72 (221.5) 5																										
06	10.47 (265.9) 6																										
07	12.22 (310.4) 7																										
08	13.97 (354.8) 8																										
09	15.72 (399.3) 9																										
10	17.47 (443.7) 10																										
11	19.22 (488.2) 11																										
12	20.97 (532.6) 12																										
300	XX - X XX																										

800-834-4969 in U.S. & Canada • [www.chatsworth.com](http://www.chatsworth.com)



CHATSWORTH PRODUCTS

©2013 Chatsworth Products, Inc. All rights reserved. CPI, CPI Passive Cooling, GlobalFrame, MegaFrame, Saf-T-Grip, Seismic Frame, SlimFrame, TeraFrame, Cube-IT Plus, Evolution, OnTrac, Velocity and QuadraRack are federally registered trademarks of Chatsworth Products. eConnect and Simply Efficient are trademarks of Chatsworth Products. All other trademarks belong to their respective companies. 6/13