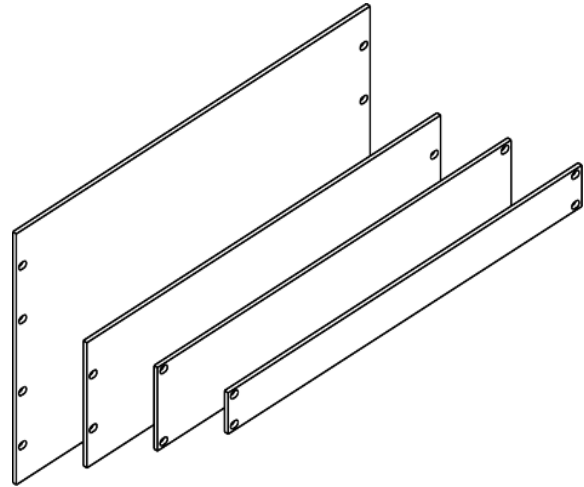


# Product Cut Sheet

## FILLER PANEL

For airflow control and/or equipment mounting, fill empty spaces between mounted equipment.



| Filler Panels |                     |        |
|---------------|---------------------|--------|
| 300           | Filler Panels       |        |
|               | Thickness - in (mm) | Width  |
| 24            | 3/16 (4.763)        | 19"    |
| 25            | 3/16 (4.763)        | 23"    |
| 26            | 1/8 (3.18)          | 19"    |
| 27            | 1/8 (3.18)          | 23"    |
|               | Color               |        |
| 1             | Gray                |        |
| 2             | Computer Beige      |        |
| 5             | Clear               |        |
| 7             | Black               |        |
| E             | Glacier White       |        |
|               | Spaces - in (mm)    | U      |
| 01            | 1.72 (43.7)         | 1      |
| 02            | 3.47 (88.1)         | 2      |
| 03            | 5.22 (132.6)        | 3      |
| 04            | 6.97 (177.0)        | 4      |
| 05            | 8.72 (221.5)        | 5      |
| 06            | 10.47 (265.9)       | 6      |
| 07            | 12.22 (310.4)       | 7      |
| 08            | 13.97 (354.8)       | 8      |
| 09            | 15.72 (399.3)       | 9      |
| 10            | 17.47 (443.7)       | 10     |
| 11            | 19.22 (488.2)       | 11     |
| 12            | 20.97 (532.6)       | 12     |
| 300           | XX                  | - X XX |

800-834-4969 in U.S. & Canada • [www.chatsworth.com](http://www.chatsworth.com)



CHATSWORTH PRODUCTS

©2013 Chatsworth Products, Inc. All rights reserved. CPI, CPI Passive Cooling, GlobalFrame, MegaFrame, Saf-T-Grip, Seismic Frame, SlimFrame, TeraFrame, Cube-IT Plus, Evolution, OnTrac, Velocity and QuadraRack are federally registered trademarks of Chatsworth Products. eConnect and Simply Efficient are trademarks of Chatsworth Products. All other trademarks belong to their respective companies. 6/13