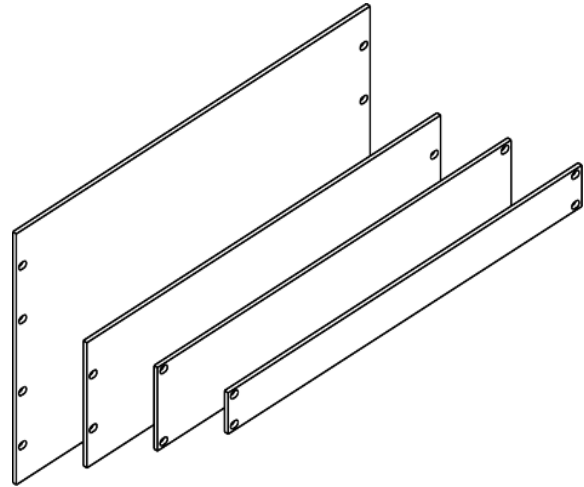


Product Cut Sheet

FILLER PANEL

For airflow control and/or equipment mounting, fill empty spaces between mounted equipment.



| Filler Panels | | |
|---------------|---------------------|--------|
| 300 | Filler Panels | |
| | Thickness - in (mm) | Width |
| 24 | 3/16 (4.763) | 19" |
| 25 | 3/16 (4.763) | 23" |
| 26 | 1/8 (3.18) | 19" |
| 27 | 1/8 (3.18) | 23" |
| | Color | |
| 1 | Gray | |
| 2 | Computer Beige | |
| 5 | Clear | |
| 7 | Black | |
| E | Glacier White | |
| | Spaces - in (mm) | U |
| 01 | 1.72 (43.7) | 1 |
| 02 | 3.47 (88.1) | 2 |
| 03 | 5.22 (132.6) | 3 |
| 04 | 6.97 (177.0) | 4 |
| 05 | 8.72 (221.5) | 5 |
| 06 | 10.47 (265.9) | 6 |
| 07 | 12.22 (310.4) | 7 |
| 08 | 13.97 (354.8) | 8 |
| 09 | 15.72 (399.3) | 9 |
| 10 | 17.47 (443.7) | 10 |
| 11 | 19.22 (488.2) | 11 |
| 12 | 20.97 (532.6) | 12 |
| 300 | XX | - X XX |

800-834-4969 in U.S. & Canada • www.chatsworth.com



CHATSWORTH PRODUCTS

©2013 Chatsworth Products, Inc. All rights reserved. CPI, CPI Passive Cooling, GlobalFrame, MegaFrame, Saf-T-Grip, Seismic Frame, SlimFrame, TeraFrame, Cube-IT Plus, Evolution, OnTrac, Velocity and QuadraRack are federally registered trademarks of Chatsworth Products. eConnect and Simply Efficient are trademarks of Chatsworth Products. All other trademarks belong to their respective companies. 6/13