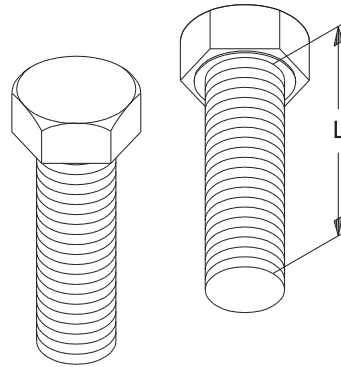


# Product Cut Sheet

## HEX CAP BOLTS

Also called Washer Faced Hex Cap Screws

- Commercial grade
- Zinc plate or gold, chem (yellow zinc plate) finish
- Sold individually (each) or in packs (quantities vary)



Part Number		Nominal Size	Length	Finish	Pack Quantity	Shipping Weight lb (kg)
Each	Pack					
20290-106	20290-116	1/4-20	3/4"	Zinc Plated	100	2 (0.8)
20290-118	20290-128	1/4-20	2-1/4"	Zinc Plated	100	4 (1.8)
20290-216	20290-226	5-16/18	2"	Zinc Plated	100	6 (2.5)
20290-307	20290-317	3/8-16	7/8"	Zinc Plated	100	5 (2.1)
02004-001	02004-101	3/8-16	1-1/4"	Gold	100	6 (2.5)
02004-002	02004-102	1/4-20	1-1/4"	Gold	100	3 (1.1)
02004-003	02004-103	1/2-13	1-1/2"	Gold	100	12 (5.3)
02004-004	02004-104	3/8-16	1-1/2"	Gold	100	6 (2.5)
02004-005	02004-105	1/2-13	1-3/4"	Gold	100	13 (5.9)
02004-006	02004-056	5/8-11	1-1/4"	Gold	50	9 (3.9)
02004-007	02004-057	5/8-11	3-1/4"	Gold	25	8 (3.8)

Note: Shipping Weights are for Packs. Pack Quantity varies.

800-834-4969 in U.S. & Canada • [www.chatsworth.com](http://www.chatsworth.com)



**CHATSWORTH PRODUCTS**

©2014 Chatsworth Products, Inc. All rights reserved. Chatsworth Products, CPI, CPI Passive Cooling, eConnect, MegaFrame, Saf-T-Grip, Seismic Frame, SlimFrame, TeraFrame, GlobalFrame, Cube-iT Plus, Evolution, OnTrac, QuadraRack and Velocity are federally registered trademarks of Chatsworth Products. Simply Efficient is a trademark of Chatsworth Products. All other trademarks belong to their respective companies.07/14