

Product Information Sheet

SWIVEL SPLICE KIT

Splices cable runway vertically, horizontally or perpendicularly. Adjusts to any angle; not limited to 45 or 90 degrees. Flexible swivel design simplifies cable runway installation by making it easier to route around existing plumbing, electrical, etc. Material is steel. Hardware and instructions are included.

■ **Butt Swivel (10487) kit consists of:**

- 8 each bracket end
- 8 each 5/16-18 x 3/4" round head sq. neck bolts
- 2 each 5/16-18 x 1" round head sq. neck bolts
- 10 each 5/16-18 hex nuts, split lock washers

■ **Junction Swivel (10488) kit consists of:**

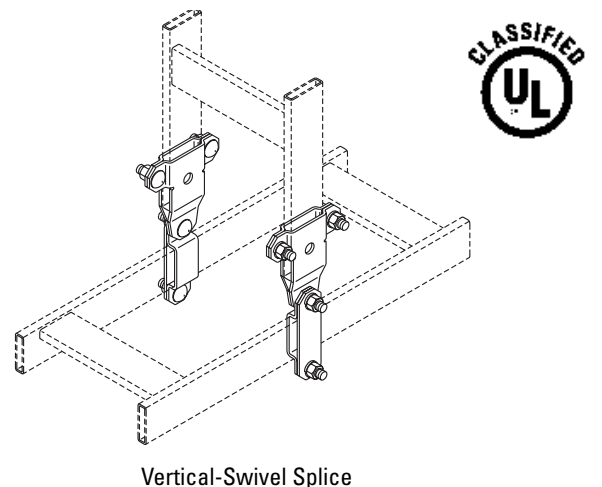
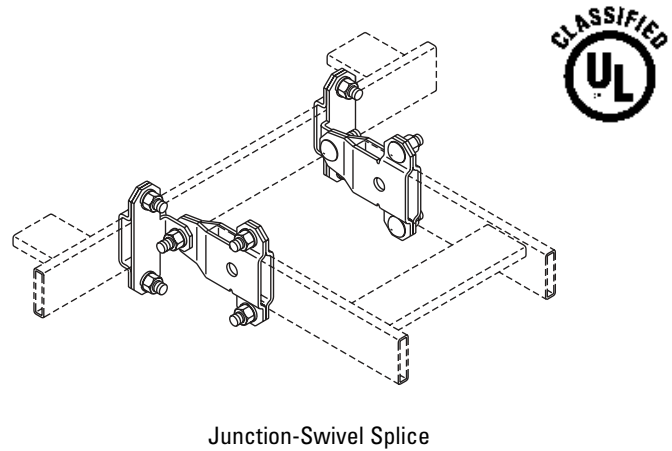
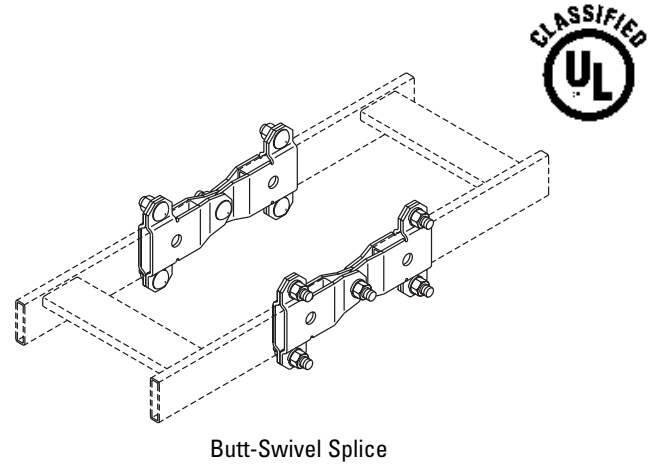
- 4 each bracket end
- 2 each bracket supports and plate clamps
- 2 each 5/16-18 x 1" round head sq. neck bolts
- 8 each 5/16-18 x 3/4" round hd. sq. neck bolts
- 10 each 5/16-18 hex nuts, split lock washers

■ **Vertical Swivel (10489) kit consists of:**

- 4 each bracket end
- 2 each bracket clamps and plate clamps
- 2 each 5/16-18 x 1" round head sq. neck bolts
- 6 each 5/16-18 x 3/4" round hd. sq. neck bolts
- 8 each 5/16-18 hex nuts, split lock washers

| Part Number | Description | Shipping Weight |
|-------------|--|-----------------|
| 10487-X01 | Butt Swivel Splice Kit | 2 lb |
| 10488-X01 | Junction Swivel Splice Kit | 2 lb |
| 10489-X01 | Vertical Swivel Splice Kit | 2 lb |
| 16487-X01 | U.L. Classified Butt Swivel Splice Kit | 1 lb |
| 16488-X01 | U.L. Classified Junction Swivel Splice Kit | 1 lb |
| 16489-X01 | U.L. Classified Vertical Swivel Splice Kit | 1 lb |

* Note: X=color over zinc: 0=Gold, 7=Black



800-834-4969 in US & Canada • www.chatsworth.com



CHATSWORTH PRODUCTS, INC.