

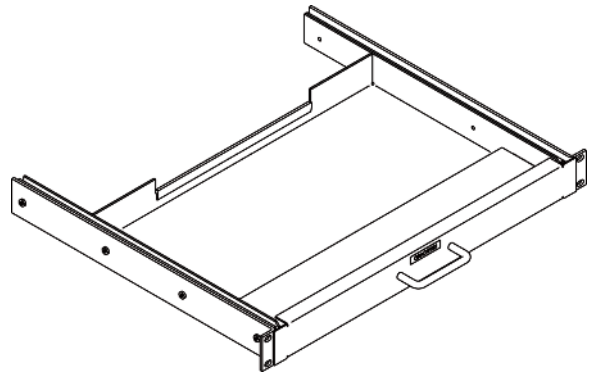
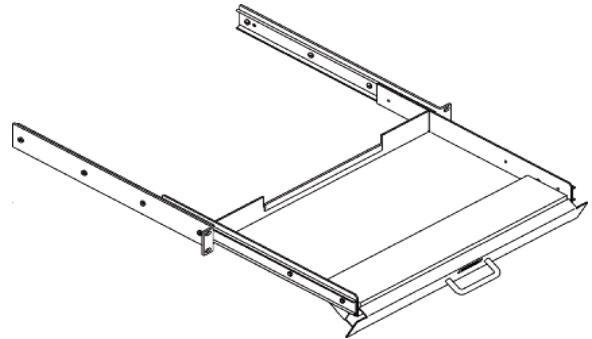
Product Cut Sheet

FLUSH MOUNTED SLIDING KEYBOARD TRAY WITH WRIST REST

Space-saving tray requires only 1U (44.45 mm), providing more space for mounting electronics. Ball bearing slides for smooth operation. Locks in open position, and retracts when not in use. 19" version holds up to 16.37"W x 7.67"D (415.8 mm x 194.8 mm) keyboards, 23" version holds up to 20.37"W x 8.67"D (517.4 mm x 220.2 mm) keyboards. Mounting hardware not included. Keyboard tray extends 11" (280 mm) for full access to all keys. Made of strong, lightweight aluminum.

Part Number	Description	Shipping Weight lb (kg)
15555-X19	Flush Mount Sliding Keyboard with Wrist Rest, For 19" Racks	8.5 (3.9)

X=color: 1=Gray, 2=Computer Beige, 5=Clear, 7=Black, E=Glacier White



800-834-4969 in U.S. & Canada • www.chatsworth.com



CHATSWORTH PRODUCTS

©2013 Chatsworth Products, Inc. All rights reserved. CPI, CPI Passive Cooling, GlobalFrame, MegaFrame, Saf-T-Grip, Seismic Frame, SlimFrame, TeraFrame, Cube-IT Plus, Evolution, OnTrac, Velocity and QuadraRack are federally registered trademarks of Chatsworth Products. eConnect and Simply Efficient are trademarks of Chatsworth Products. All other trademarks belong to their respective companies. 6/13