

# EasySwing WALL-MOUNT RACK

## KEY FEATURES

- Swing-out rack-mount frame provides easy access to the rear of installed equipment.
- Fiber and copper ready with 19" EIA threaded equipment mounting rails.
- Easy to ship, inventory and install — ships flat, folds open to mount on the wall.
- Integrated cable management straps included.
- Swing gate can open to the right or to the left.
- Durable, all-steel construction.

## APPLICATIONS

- Store and secure network, communications and security equipment within a secure telecommunications or equipment room.
- Networking equipment, security equipment, switches, routers, telephone/voicemail, patch panels or other interconnect equipment.

## USE WITH

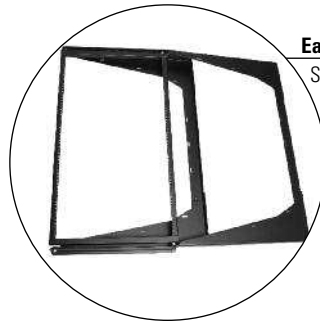
- Combination Pan Head, Pilot Point Mounting Screws
- Hex Lag Screws and Flat Washers

## RELATED ACCESSORIES

- Saf-T-Grip® Cable Management Straps
- Cable management accessories
- Rack-mount power strips
- Rack shelves

### EasySwing Wall-Mount Rack

Available in three heights and four depths



### Easy Installation

Ships flat and partially-assembled  
Simply unfold, secure corners, install

EasySwing Wall-Mount Racks are a family of open wall-mounted 19" EIA swing gate racks available in three heights and four depths. EasySwing Wall-Mount Racks are copper and fiber ready, are easy to install, and provide easy access to the front and rear of equipment. Use EasySwing Wall-Mount Racks to store network, communications and security equipment in telecommunication and equipment rooms or in other rooms where floor space is limited.

EasySwing Wall-Mount Rack ships flat and partially assembled. Assembly is easy — unfold the rack and install one assembly bolt per corner. The frame is punched with keyhole mounting slots located on 18.5" (470 mm) centers. Attach the rack to the wall with 1/4" installation hardware (order separately) EasySwing can swing open to the right or left, simply flip the rack over before securing it to the wall.

EasySwing Wall-Mount Rack supports 19" EIA rack-mount equipment and single-sided shelves. Equipment mounts on a hinged gate. The gate has single-sided rack-mount rails with roll-formed #12-24 threads for attaching equipment. The gate swings open to provide easy access to the rear of equipment during service work. The gate is secured in the closed position with a removable pin that latches through the wall-mount frame.

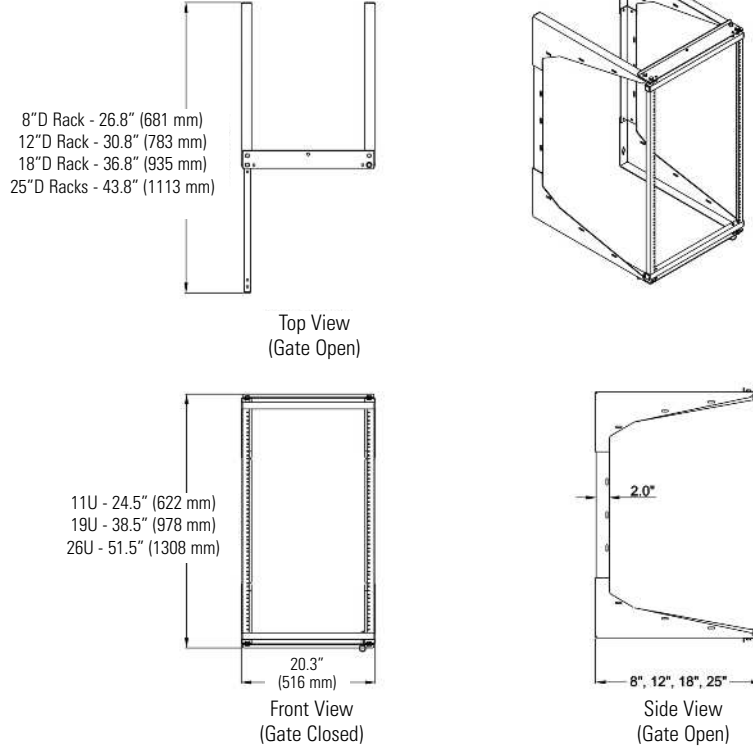
EasySwing Wall-Mount Rack will support 85 lb (38.6 kg) of equipment. Premise cables are guided from the wall to the swing gate with included reusable cable management straps. The straps attach to slots in the frame and support cables as the gate opens and closes. Add other CPI accessories to customize your installation.

See reverse for product selection. Contact CPI for configuration assistance.

**SPECIFICATIONS**

- Open wall-mount rack with swing-out rear access to equipment
- For indoor use only, in environmentally controlled areas; may not be used outdoors, in industrial or harsh environments, or in plenum-spaces
- Swing gate is hinged on one side only, wall-mount frame may be installed so that the gate will open to the right or left
- Includes locking latch pin to secure the gate in the closed position
- Available sizes:  
See Ordering Information.
- Usable rack-mount space:  
See Ordering Information.
- Cable management:  
Includes (5) 19"L x 1"W (483 mm x 25 mm) reusable cable management straps  
Slotted attachment points on frame
- Equipment support:  
1 pair L-shaped equipment mounting rails  
- 19"W, EIA-310-D compliant  
- Universal hole pattern, 5/8"-5/8"-1/2" (15.9 mm - 15.9 mm - 12.7 mm) vertical hole spacing  
- Roll-formed #12-24 equipment mounting holes  
Includes 12 each #12-24 black equipment mounting screws
- Load capacity:  
85 lb (38.6 kg) of equipment, open or closed
- Certifications:  
EIA-310-D compliant
- Material:  
Rack: sheet and tubular steel  
Cable management straps: fire-retardant black nylon
- Construction:  
Welded and bolted, ships partially-assembled
- Finish:  
Epoxy-polyester hybrid powder coat paint  
Available in black, gray, computer white or glacier white

**DIMENSIONS**



**ORDERING INFORMATION**

Part Number	Usable Dimensions			Overall Dims - in (mm)			Shipping Weight lb (kg)
	Height	Width	Depth*	Height	Width	Depth	
13602-X08	11U	19"EIA	6.5 (165)	24.5 (622)	20.3 (516)	8.0 (204)	22 (10.0)
13602-X12	11U	19"EIA	10.5 (266)	24.5 (622)	20.3 (516)	12.0 (305)	24 (10.9)
13602-X18	11U	19"EIA	16.5 (419)	24.5 (622)	20.3 (516)	18.0 (457)	28 (12.7)
13602-X25	11U	19"EIA	23.5 (596)	24.5 (622)	20.3 (516)	25.0 (635)	34 (15.4)
13604-X08	19U	19"EIA	6.5 (165)	38.5 (978)	20.3 (516)	8.0 (204)	27 (12.2)
13604-X12	19U	19"EIA	10.5 (266)	38.5 (978)	20.3 (516)	12.0 (305)	29 (13.2)
13604-X18	19U	19"EIA	16.5 (419)	38.5 (978)	20.3 (516)	18.0 (457)	33 (15.0)
13604-X25	19U	19"EIA	23.5 (596)	38.5 (978)	20.3 (516)	25.0 (635)	38 (17.2)
13608-X12	26U	19"EIA	10.5 (266)	51.5 (1308)	20.3 (516)	12.0 (305)	33 (15.0)
13608-X18	26U	19"EIA	16.5 (419)	51.5 (1308)	20.3 (516)	18.0 (457)	37 (16.8)

X=Color: 1=Gray, 2=Computer Beige, 7=Black, E=Glacier White. Note: Usable Depth is reduced at the top and bottom 2U on -X08 and -X12 models and at the top and bottom 3U on -X18 and -X25 models. For planning purposes, reduce Useable Depth by 75% and 50% on the top and bottom 2U of -X08 and -X12 racks. Reduce Usable Depth by 80%, 50% and 25% on the top and bottom 3U of -X18 and -X25 racks. Order 1/4" installation hardware separately.

Accessories		
Part Number	Description	Shipping Weight lb (kg)
<b>Combination Pan Head, Pilot Point, Mounting Screws</b>		
40605-001	#12-24 x 1/2"L, Zinc, Pack of 50	1 (0.5)
40605-005	#12-24 x 1/2"L, Black, Pack of 50	1 (0.5)
<b>Installation Hardware</b>		
02007-004	1/4-10 x 2"L, Hex Lag Screw	1 (0.5)
<b>Single-Sided Universal Horizontal Cable Manager</b>		
30139-719	1U x 19"W x 4.96"D (126 mm)	2 (0.9)
<b>Saf-T-Grip® Strap</b>		
02006-201	Open Loop Series, Pack of 25	1 lb (0.5 kg)