

CABLE RUNWAY PATHWAY DIVIDERS

KEY FEATURES

- Cable spools separate cables into individual pathways for better organization of cables.
- Cables can be easily added or removed from the area between spools.
- Spools have a smooth surface to protect cable jackets from damage during installation or maintenance.
- Easy installation, attaches to the Cable Runway cross member with included hardware.
- Fits Universal/Trough or TELCO/UL Classified Cable Runway.

APPLICATIONS

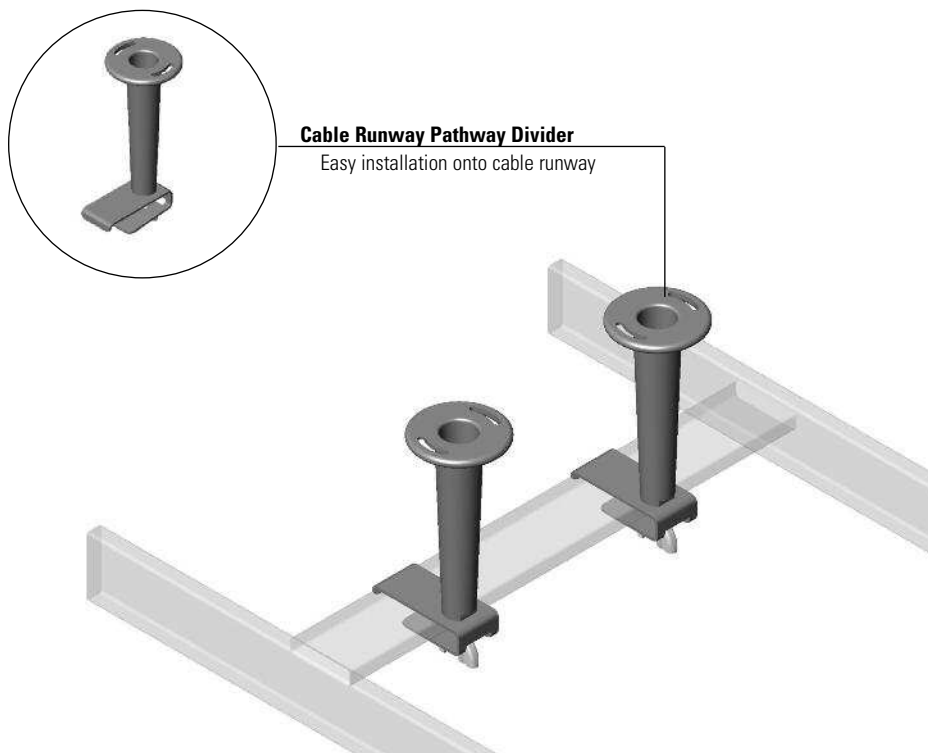
- Divide Cable Runway into multiple pathways to separate cable by type or route.

USE WITH

- Universal Cable runway
- TELCO-Style Cable Runway
- UL Classified Cable Runway
- Trough Cable Runway
- Quick Ship Cable Runway Kit
- Alternate Space Cable Runway
- Cable Runway Radius Bend
- Cable Runway E-Bend
- Cable Runway Corner Bracket

RELATED ACCESSORIES

- Cable Runway Radius Drop
- Cable Runway Splice Kits
- Cable Runway Support Kits
- Spool Adapter Flange



Cable Runway Pathway Dividers divide Cable Runway into multiple cable pathways. Use Cable Runway Pathway Dividers to organize cables supported by Cable Runway according to media type or destination.

Cable Runway is the ideal pathway solution over racks and cabinets within the equipment room and telecommunications rooms because it is open on both sides and at the bottom to allow backbone and premise cables to enter and exit the pathway easily.

Cable Runway often supports different types of cables including backbone fiber cables from the main cross connect or intermediate cross connect, copper cables from work areas in the surrounding building space and the bonding conductor(s) from the Telecommunications Grounding Busbar. These cables should be physically separated within the Cable Runway. Cable Runway Pathway Dividers divide the Cable Runway pathway.

Cable Runway Pathway Dividers can also be used to organize horizontal cables by destination according to route or zone. This helps technicians manage cables when additional cables are added or when the cable path through the building changes due to building renovations.

See reverse for product selection. Contact CPI Technical Support for configuration assistance.

US & Canada

+1-800-834-4969
Toronto, Ontario, Canada
+905-850-7770
chatsworth.com

Latin America

+52-55-5203-7525
Toll Free within Mexico
01-800-01-7592
chatsworth.com.co

Europe

+44-1628-524-834
chatsworthproducts.co.uk

Middle East & Africa

Dubai, UAE
+971-4-2602125
chatsworth.ae

Asia Pacific

+86 21 6880-0266
chatsworth.com.cn



SPECIFICATIONS

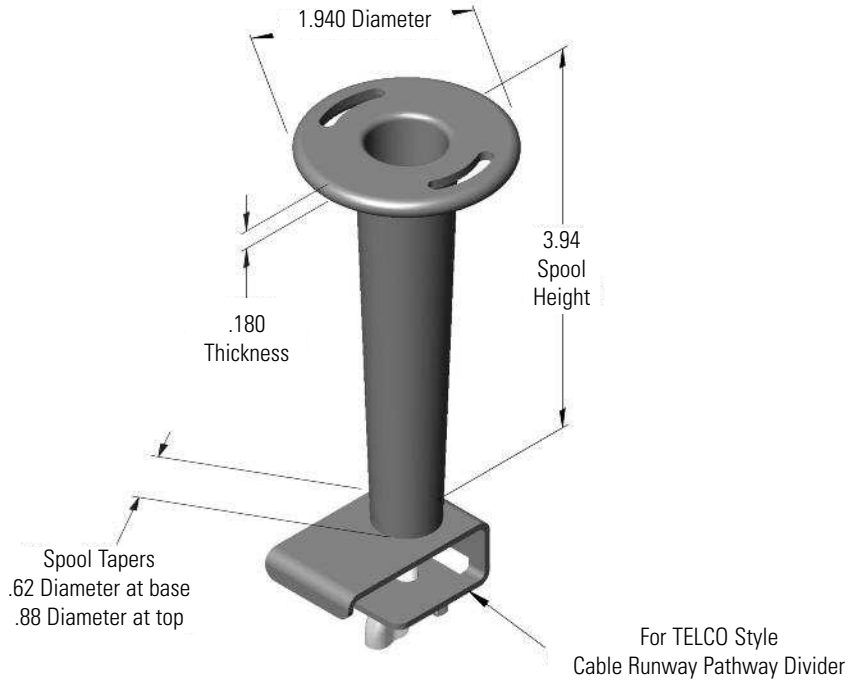
**Universal/Trough Style
Cable Runway Pathway Divider**

- Single spool attaches to Universal or Trough Style Cable Runway cross member
- For 3/8"H x 1-1/2"W (9.53 mm x 38.1 mm) cross member
- Material:
Spool is flame retardant ABS
Clip is steel
- Finish:
Spool is black.
Clip is black or glacier white.

**TELCO/UL Classified Style
Cable Runway Pathway Divider**

- Single spool attaches to TELCO or UL Classified Style Cable Runway cross member
- For 1/2"H x 1"W (13 mm x 30 mm) cross member
- Material:
Spool is flame retardant ABS
Clip is steel
- Finish:
Spool is black.
Clip is black or glacier white.

DIMENSIONS



ORDERING INFORMATION

Part Number	Description	Shipping Weight lb (kg)
Universal or Trough Style Dividers		
13392-X11	Divider, Package of 5	1 (0.5)
13392-X12	Divider, Package of 25	3 (1.4)
TELCO or UL Classified Style Dividers		
13392-X21	Divider, Package of 5	1 (0.5)
13392-X22	Divider, Package of 25	3 (1.4)

Spool is black. X=finish; 7=Black, E=Glacier White.