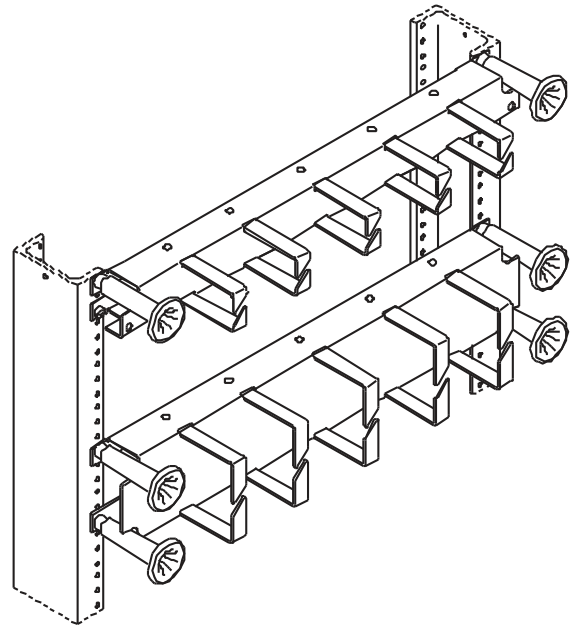


# Product Cut Sheet

## 19" HORIZONTAL WIRE MANAGEMENT PANEL

19" Wire Management Panel is offset 1.5" (38 mm) from the rack channel to ensure proper bending radii of patch cables, even hooded patch cables. Use in combination with VCS Vertical Cabling Sections.

- Unique offset design provides patch cable pathway from front-to-back or side-to-side.
- Available in single 1.75" (44.5 mm) or double 3.5" (89.0 mm) rack-mounting units design.
- Tangles eliminated by the defined horizontal and vertical pathways
- Mounts quickly and easily using threaded cable distribution spools
- Cable distribution spools maintain bend radius through the pass-through trough and across the front plane of the horizontal manager.



Part Number	Description	Shipping Weight lb (kg)
13070-X19	Horizontal Wire Panel for VCS, 1U	2 (0.9)
13075-X19	Horizontal Wire Panel for VCS, 2U	2 (0.9)

X=color: 1=Gray, 2=Computer Beige, 5=Clear, 7=Black, E=Glacier White.

800-834-4969 in U.S. & Canada • [www.chatsworth.com](http://www.chatsworth.com)



CHATSWORTH PRODUCTS

©2013 Chatsworth Products, Inc. All rights reserved. CPI, CPI Passive Cooling, GlobalFrame, MegaFrame, Saf-T-Grip, Seismic Frame, SlimFrame, TeraFrame, Cube-iT Plus, Evolution, OnTrac, Velocity and QuadraRack are federally registered trademarks of Chatsworth Products. eConnect and Simply Efficient are trademarks of Chatsworth Products. All other trademarks belong to their respective companies. Rev.2 07/13