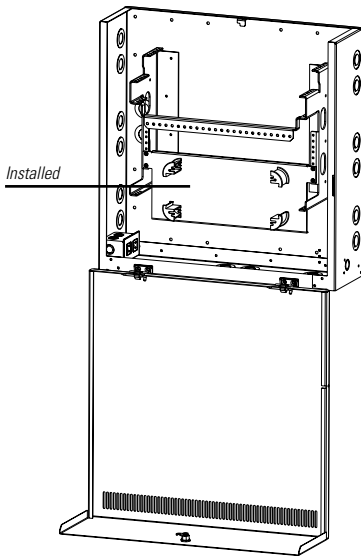
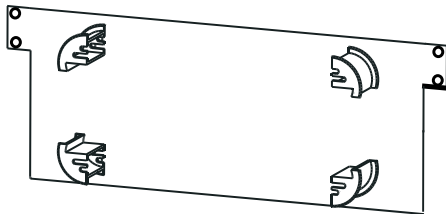
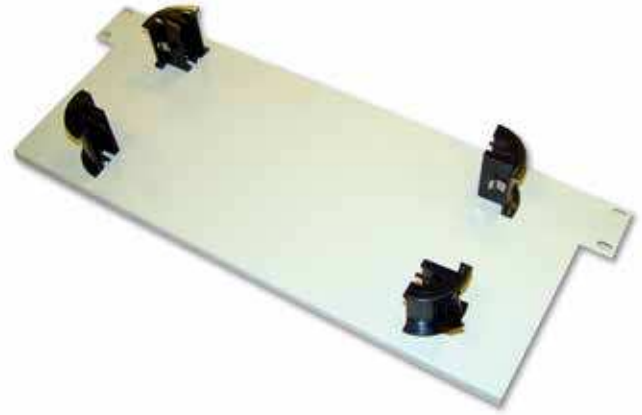


# Fiber Slack Manager Panel for ThinLine II Wall-Mount Cabinet

The Fiber Slack Manager Panel provides both fiber slack management and a mounting surface for a small fiber manager or LIU. Secured under the outermost mounting units, the panel takes up no mounting space within the cabinet. It attaches to the cabinet with standard #12-24 rack screws (included in the ThinLine Cabinet's hardware kit).



## ORDERING INFORMATION

| Part Number | Description                                   | Shipping Weight lb (kg) |
|-------------|---|-------------------------|
| 12955-X19   | 19" EIA Rack-Mount, Fiber Slack Manager Panel | 2 (0.9)                 |

X=color: 2=Computer Beige, 7=Black

For product CSI Specs, visit the Support & Downloads page on [www.chatsworth.com](http://www.chatsworth.com).

**US & Canada**

+1-800-834-4969  
Toronto, Ontario, Canada  
+905-850-7770  
chatsworth.com  
techsupport@chatsworth.com

**Latin America**

+52-55-5203-7525  
Toll Free within Mexico  
01-800-01-7592  
chatsworth.com.co

**Europe**

+44-1628-524-834  
chatsworthproducts.co.uk

**Middle East & Africa**

Dubai, UAE  
+971-4-2602125  
chatsworth.ae

**Asia Pacific**

+86 21 6880-0266  
chatsworth.com.cn



CHATSWORTH  
PRODUCTS