

POWER STRIPS

for CPI Rack and Cabinet Systems

KEY FEATURES

- Distribute power to multiple devices from a single power connection
- NEMA style outlets and plugs
- Includes a thermal circuit breakers to protect circuits from overload
- Available with surge-protection to protect equipment from power spikes
- Available with local meters to provide easy voltage and current monitoring

APPLICATIONS

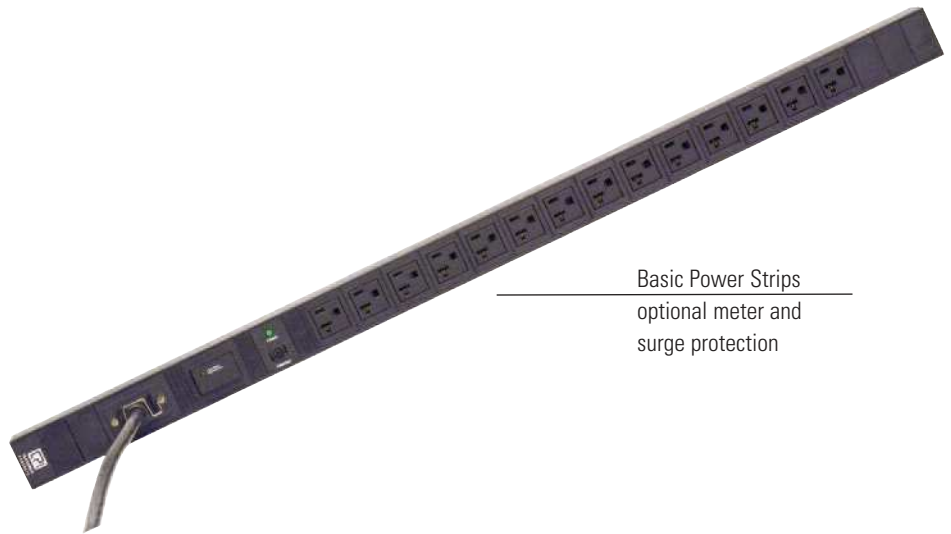
- Power Strips distribute single-phase power to multiple pieces of equipment from a single power connection.

USE WITH

- CPI Cabinet Systems
- CPI Rack Systems

RELATED ACCESSORIES

- Power Distribution Units (PDUs)
- Electronic Locking System (ELS)
- Remote Infrastructure Management System



Basic Power Strips
optional meter and
surge protection

CPI Power Strips provide basic power distribution into racks and cabinets allowing you to share a single power connection with multiple pieces of equipment.

CPI Power Strips are available in two configurations: basic and metered. Basic Power Strips feature thermal circuit breakers and optional surge protection. Circuit breakers limit the amount of current available to equipment while surge protection blocks excessive voltage from equipment. Both features are critical with unconditioned line power. Metered configurations include an in-line digital voltage and current ammeter with display to show the amount of voltage and current being used by attached equipment. This feature allows the user to monitor voltage and current use and judge the amount of remaining capacity on the power strip before adding a new device to the circuit.

Choose vertical or horizontal rack-mount power strips that match the voltage and current rating of the power connection. Power strips have NEMA outlets, an IEC C20 inlet and include a detachable power cord with a NEMA plug.

See inside for product selection. Contact CPI Technical Support for configuration assistance.

US & Canada

+1-800-834-4969
Toronto, Ontario, Canada
+905-850-7770
chatsworth.com

Latin America

+52-55-5203-7525
Toll Free within Mexico
01-800-01-7592
chatsworth.com.co

Europe

+44-1628-524-834
chatsworthproducts.co.uk

Middle East & Africa

Dubai, UAE
+971-4-2602125
chatsworthproducts.co.uk

Asia Pacific

+86 21 6880-0266
chatsworth.com.cn

techsupport@chatsworth.com

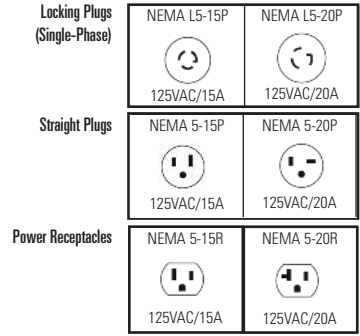


CHATSWORTH
PRODUCTS

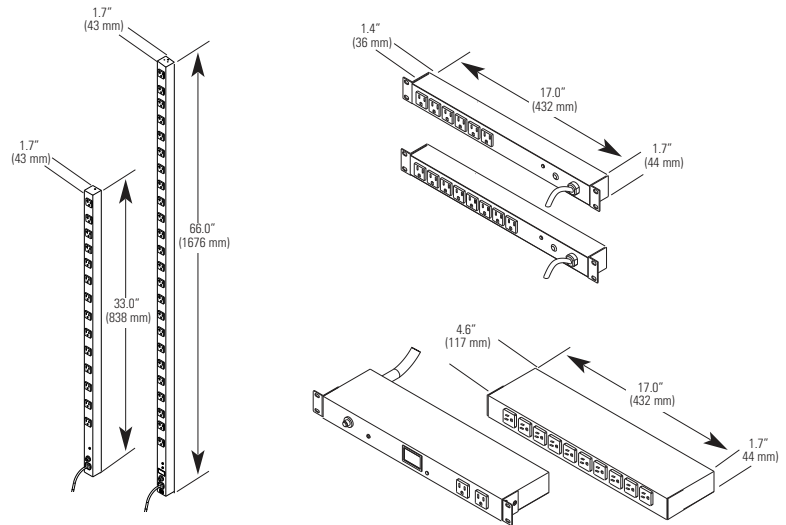
SPECIFICATIONS

- Single-input, vertical and horizontal rack-mount power strips
- For indoor use only, in environmentally controlled areas; may not be used outdoors, in harsh environments or in air-handling spaces
- Power Input:
 - Specific to Power Strip (see order tables)
 - Stated as maximum rated voltage and current of breaker/inlet/plug
 - 50/60 Hz
- Power Output:
 - Specific to Power Strip (see order tables)
 - Same voltage/frequency as input
- Power Inlet:
 - IEC C20 with cord retention bracket
- Power Cord:
 - Detachable, IEC C19 to NEMA Plug
 - Included (see order table for plug type)
 - Not rated for plenum use
- Power Outlet Receptacles:
 - Specific to Power Strip (see order tables)
 - NEMA outlets/receptacles
- Circuit Protection:
 - Thermal (T) circuit breakers
 - Optional Surge Protection
 - 330 Volt, 1100 Joules
 - Surge suppression active indicator – LED
- Voltage and Current Metering:
 - Digital voltage and ammeter(s) included on metered Power Strips
 - Each voltage and ammeter has a 3-digit LED display
 - Voltage meter has 1VA resolution, ±1% accuracy
 - Ammeter has 0.1A resolution, ±1% accuracy
 - Overload alarm/flashing LED at 16A
 - The button near the display toggles voltage and current display and can activate/deactivate the alarm function
- Certifications:
 - UL Listed
- Includes Rack/Cabinet Mounting Brackets:
 - Vertical Power Strips include one pair of fixed depth Rack-Mount Brackets, 9"D (229 mm), for attaching the Power Strip to a CPI Rack System and tool-less mounting hardware (buttons) spaced 61.25" (1556 mm) apart on 66.0"H (1676 mm) power strips for attaching the power strip to PDU mounting brackets in CPI Cabinet Systems. PDU mounting brackets are not included with the power strip. Order PDU mounting brackets with the cabinet or as a separate accessory.
 - Horizontal Power Strips include mounting brackets for 19"EIA rack-mounting; select models also include mounting brackets for 23"W rack-mounting (see order tables)
- Finish: Black only

PLUG & RECEPTACLE CONFIGURATIONS



DIMENSIONS



ACCESSORIES

Vertical PDU Mounting Bracket Kit

Used to attach Vertical PDUs and Power Strips to CPI Cabinet and Rack Systems.

- Each Mounting Bracket Kit includes a pair of mounting brackets to support the PDU or Power Strip.
- Select the kit to match the cabinet or rack model.

| Part Number | Description | Shipping Weight lb (kg) |
|-------------|---|-------------------------|
| 39110-C01 | For F-Series TeraFrame Gen 3 Cabinet System or GF-Series GlobalFrame Gen 2 Cabinet System | 2 (0.9) |
| 13780-C01 | For F-Series TeraFrame Cabinet System | 2 (0.9) |
| 25140-701 | For GF-Series GlobalFrame Cabinet System | 2 (0.9) |
| 13762-701 | For M-Series MegaFrame Cabinet System or C-Series SlimFrame Cabinet System | 2 (0.9) |
| 35700-701 | For Rack Systems | 2 (0.9) |

Note: Mounting Bracket Kits are included with CPI Cabinet Systems.



ORDERING INFORMATION

Basic Power Strips, Vertical Mount

| Part Number | Input | | | Output | | Dims - in (mm) | | |
|--|-------|-----|-------------|----------|------------|----------------|----------|----------|
| | Amp | kW | Plug | Breakers | Outlets | H | W | D |
| 110-125 Volt, Single-Phase Power Strip | | | | | | | | |
| 12850-701 | 15 | 1.4 | NEMA 5-15P | 1 x 15A | (14) 5-15R | 33.0 (838) | 1.7 (43) | 1.7 (43) |
| 12848-701 | 15 | 1.4 | NEMA 5-15P | 1 x 15A | (24) 5-15R | 66.0 (1676) | 1.7 (43) | 1.7 (43) |
| 12850-703 | 15 | 1.4 | NEMA L5-15P | 1 x 15A | (14) 5-15R | 33.0 (838) | 1.7 (43) | 1.7 (43) |
| 12848-703 | 15 | 1.4 | NEMA L5-15P | 1 x 15A | (24) 5-15R | 66.0 (1676) | 1.7 (43) | 1.7 (43) |
| 12850-705 | 20 | 1.9 | NEMA 5-20P | 1 x 20A | (14) 5-20R | 33.0 (838) | 1.7 (43) | 1.7 (43) |
| 12848-705 | 20 | 1.9 | NEMA 5-20P | 1 x 20A | (24) 5-20R | 66.0 (1676) | 1.7 (43) | 1.7 (43) |
| 12850-707 | 20 | 1.9 | NEMA L5-20P | 1 x 20A | (14) 5-20R | 33.0 (838) | 1.7 (43) | 1.7 (43) |
| 12848-707 | 20 | 1.9 | NEMA L5-20P | 1 x 20A | (24) 5-20R | 66.0 (1676) | 1.7 (43) | 1.7 (43) |
| 110-125 Volt, Single-Phase Power Strip, Surge-Protected | | | | | | | | |
| 12850-702 | 15 | 1.4 | NEMA 5-15P | 1 x 15A | (14) 5-15R | 33.0 (838) | 1.7 (43) | 1.7 (43) |
| 12848-702 | 15 | 1.4 | NEMA 5-15P | 1 x 15A | (24) 5-15R | 66.0 (1676) | 1.7 (43) | 1.7 (43) |
| 12850-704 | 15 | 1.4 | NEMA L5-15P | 1 x 15A | (14) 5-15R | 33.0 (838) | 1.7 (43) | 1.7 (43) |
| 12848-704 | 15 | 1.4 | NEMA L5-15P | 1 x 15A | (24) 5-15R | 66.0 (1676) | 1.7 (43) | 1.7 (43) |
| 12850-706 | 20 | 1.9 | NEMA 5-20P | 1 x 20A | (14) 5-20R | 33.0 (838) | 1.7 (43) | 1.7 (43) |
| 12848-706 | 20 | 1.9 | NEMA 5-20P | 1 x 20A | (24) 5-20R | 66.0 (1676) | 1.7 (43) | 1.7 (43) |
| 12850-708 | 20 | 1.9 | NEMA L5-20P | 1 x 20A | (14) 5-20R | 33.0 (838) | 1.7 (43) | 1.7 (43) |
| 12848-708 | 20 | 1.9 | NEMA L5-20P | 1 x 20A | (24) 5-20R | 66.0 (1676) | 1.7 (43) | 1.7 (43) |

Notes: Input current is the breaker rating. The Input Amp column lists the maximum rated value of the Input Plug/inlet and circuit breaker rating. UL/NEC regulatory code requires current ratings on product labels to be derated to 80% of the maximum rated values (for example: 20 Amp = 16 Amp on UL product label). For the Input kW column, all values are derated calculations per UL for use in North America. Input kW is the listed rating. Includes rack mounting brackets and tool-less hardware. All power strips have IEC C20 inlets and include a power cord. Cords with locking plugs are 10'L (3 m). Cords with straight plugs are 8'2"L (2.4 m). Order mounting brackets for cabinets separately.



Metered Power Strips, Vertical Mount

| Part Number | Input | | | Output | | Dims - in (mm) | | |
|--|-------|-----|-------------|----------|------------|----------------|----------|----------|
| | Amp | kW | Plug | Breakers | Outlets | H | W | D |
| 110-125 Volt, Single-Phase Power Strip | | | | | | | | |
| 12848-751 | 15 | 1.4 | NEMA 5-15P | 1 x 15A | (24) 5-15R | 66.0 (1676) | 1.7 (43) | 1.7 (43) |
| 12848-755 | 20 | 1.9 | NEMA 5-20P | 1 x 20A | (24) 5-20R | 66.0 (1676) | 1.7 (43) | 1.7 (43) |
| 12848-757 | 20 | 1.9 | NEMA L5-20P | 1 x 20A | (24) 5-20R | 66.0 (1676) | 1.7 (43) | 1.7 (43) |
| 110-125 Volt, Single-Phase Power Strip, Surge-Protected | | | | | | | | |
| 12848-752 | 15 | 1.4 | NEMA 5-15P | 1 x 15A | (24) 5-15R | 66.0 (1676) | 1.7 (43) | 1.7 (43) |
| 12848-754 | 15 | 1.4 | NEMA L5-15P | 1 x 15A | (24) 5-15R | 66.0 (1676) | 1.7 (43) | 1.7 (43) |
| 12848-756 | 20 | 1.9 | NEMA 5-20P | 1 x 20A | (24) 5-20R | 66.0 (1676) | 1.7 (43) | 1.7 (43) |
| 12848-758 | 20 | 1.9 | NEMA L5-20P | 1 x 20A | (24) 5-20R | 66.0 (1676) | 1.7 (43) | 1.7 (43) |

Notes: Input current is the breaker rating. The Input Amp column lists the maximum rated value of the Input Plug/inlet and circuit breaker rating. UL/NEC regulatory code requires current ratings on product labels to be derated to 80% of the maximum rated values (for example: 20 Amp = 16 Amp on UL product label). For the Input kW column, all values are derated calculations per UL for use in North America. Input kW is the listed rating. Includes rack mounting brackets and tool-less hardware. All power strips have IEC C20 inlets and include a power cord. Cords with locking plugs are 10'L (3 m). Cords with straight plugs are 8'2"L (2.4 m). Order mounting brackets for cabinets separately.



ORDERING INFORMATION

Basic Power Strips, Horizontal Rack-Mount

| Part Number | Input | | | Output | | Dims - in (mm) | | |
|--|-------|-----|-------------|----------|-----------|----------------|------------|----------|
| | Amp | kW | Plug | Breakers | Outlets | H | W | D |
| 110-125 Volt, Single-Phase Power Strip | | | | | | | | |
| 12816-701 | 15 | 1.4 | NEMA 5-15P | 1 x 15A | (8) 5-15R | 1U | 19"EIA/23" | 1.4 (36) |
| 12816-702 | 15 | 1.4 | NEMA L5-15P | 1 x 15A | (8) 5-15R | 1U | 19"EIA/23" | 1.4 (36) |
| 12816-705 | 20 | 1.9 | NEMA 5-20P | 1 x 20A | (8) 5-20R | 1U | 19"EIA/23" | 1.4 (36) |
| 12816-706 | 20 | 1.9 | NEMA L5-20P | 1 x 20A | (8) 5-20R | 1U | 19"EIA/23" | 1.4 (36) |
| 110-125 Volt, Single-Phase Power Strip, Surge-Protected | | | | | | | | |
| 12816-703 | 15 | 1.4 | NEMA 5-15P | 1 x 15A | (6) 5-15R | 1U | 19"EIA/23" | 1.4 (36) |
| 12816-704 | 15 | 1.4 | NEMA L5-15P | 1 x 15A | (6) 5-15R | 1U | 19"EIA/23" | 1.4 (36) |
| 12816-707 | 20 | 1.9 | NEMA 5-20P | 1 x 20A | (6) 5-20R | 1U | 19"EIA/23" | 1.4 (36) |
| 12816-708 | 20 | 1.9 | NEMA L5-20P | 1 x 20A | (6) 5-20R | 1U | 19"EIA/23" | 1.4 (36) |

Notes: Input current is the breaker rating. The Input Amp column lists the maximum rated value of the Input Plug/inlet and circuit breaker rating. UL/NEC regulatory code requires current ratings on product labels to be derated to 80% of the maximum rated values (for example: 20 Amp = 16 Amp on UL product label). For the Input kW column, all values are derated calculations per UL for use in North America. Input kW is the listed rating. Includes 19"EIA and 23"W horizontal rack-mount brackets. All power strips have IEC C20 inlets and include a power cord. Cords with locking plugs are 10'L (3 m). Cords with straight plugs are 8'2"L (2.4 m).



Metered Power Strips, Horizontal Rack-Mount

| Part Number | Input | | | Output | | Dims - in (mm) | | |
|--|-------|-----|-------------|----------|------------|----------------|--------|-----------|
| | Amp | kW | Plug | Breakers | Outlets | H | W | D |
| 110-125 Volt, Single-Phase Power Strip | | | | | | | | |
| 13239-751 | 15 | 1.4 | NEMA 5-15P | 1 x 15A | (12) 5-15R | 1U | 19"EIA | 4.6 (117) |
| 13239-755 | 20 | 1.9 | NEMA 5-20P | 1 x 20A | (12) 5-20R | 1U | 19"EIA | 4.6 (117) |
| 13239-756 | 20 | 1.9 | NEMA L5-20P | 1 x 20A | (12) 5-20R | 1U | 19"EIA | 4.6 (117) |
| 110-125 Volt, Single-Phase Power Strip, Surge-Protected | | | | | | | | |
| 13239-753 | 15 | 1.4 | NEMA 5-15P | 1 x 15A | (12) 5-15R | 1U | 19"EIA | 4.6 (117) |
| 13239-757 | 20 | 1.9 | NEMA 5-20P | 1 x 20A | (12) 5-20R | 1U | 19"EIA | 4.6 (117) |
| 13239-758 | 20 | 1.9 | NEMA L5-20P | 1 x 20A | (12) 5-20R | 1U | 19"EIA | 4.6 (117) |

Notes: Input current is the breaker rating. Input kW is the listed rating. The Input Amp column lists the maximum rated value of the Input Plug/inlet and circuit breaker rating. UL/NEC regulatory code requires current ratings on product labels to be derated to 80% of the maximum rated values (for example: 20 Amp = 16 Amp on UL product label). For the Input kW column, all values are derated calculations per UL for use in North America. Includes 19"EIA horizontal rack-mount brackets only. All power strips have IEC C20 inlets and include a power cord. Cords with locking plugs are 10'L (3 m). Cords with straight plugs are 8'2"L (2.4 m).

