

Product Cut Sheet

3" (80 MM) CHANNEL RACK-TO-RUNWAY MOUNTING PLATE WITH BRACKET

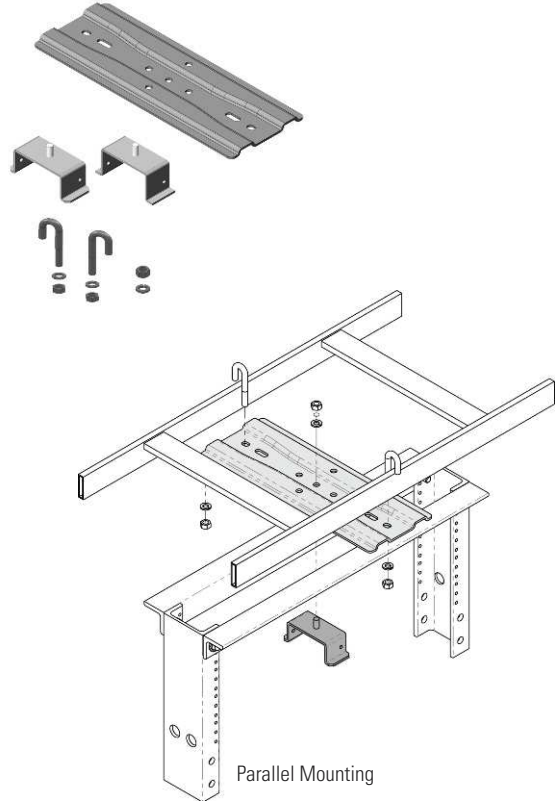
Secures Runway to the top of Universal Rack without intruding into mounting space. The combination of the flat plate and hat-shaped bracket form a clamp around the rack's top angles or top bars. Mounts parallel or perpendicular. For proper attachment of 6" runway, use top bars (13045 Series) rather than top angles. Installation best practice includes Runway Elevation Kit (P/N 10506)

Kit consists of:

- (1) mounting plate
- (2) hat-shaped brackets
- (2) J-Bolts, 5/16-18 x 2-1/4"
- (3) hex nuts, 5/16-18
- (3) split lock washers, 5/16"

Part Number	Runway Width in (mm)	Plate Material	Shipping Weight lb (kg)
12730-X04	4 (100)	Steel	4 (1.8)
12730-X08	5 to 8 (130 to 200)	Steel	5 (2.3)
12730-X12	9 to 12 (230 to 300)	Steel	5 (2.3)
12730-X18	15 to 18 (380 to 460)	Steel	7 (3.2)
13730-X24	20 to 24 (510 to 610)	Aluminum	4 (1.8)

X=color: Gold (-0), Computer Beige (-2) and Glacier White (-E) kits have gold colored hardware. Gray (-1) and Black (-7) kits have black colored hardware.



800-834-4969 in U.S. & Canada • www.chatsworth.com



CHATSWORTH PRODUCTS

©2013 Chatsworth Products, Inc. All rights reserved. CPI, CPI Passive Cooling, GlobalFrame, MegaFrame, Saf-T-Grip, Seismic Frame, SlimFrame, TeraFrame, Cube-IT Plus, Evolution, OnTrac, Velocity and QuadraRack are federally registered trademarks of Chatsworth Products. eConnect and Simply Efficient are trademarks of Chatsworth Products. All other trademarks belong to their respective companies. 6/13