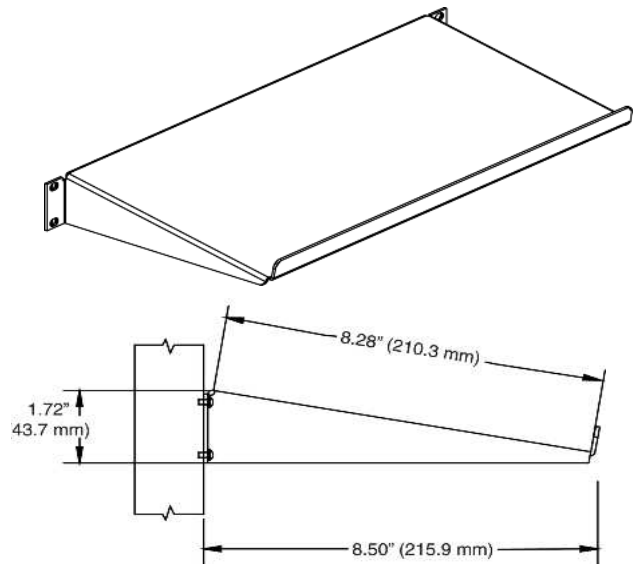


Product Cut Sheet

SPACE-SAVING STATIONARY KEYBOARD SHELF

CPI's Space-Saving Stationary Keyboard Shelf was designed to be used in high-density server installations. The shelf incorporates a rigid 10° angled surface for keyboard support, providing comfortable and convenient keyboard positioning and operation. Mounting hardware not included. Available in 19"W or 23"W x 8.28"D (210.3 mm). Made from strong, lightweight aluminum.



Part Number	Description	Shipping Weight lb (kg)
12665-X19	Space-Saving Shelf, For 19" Racks	3 (1.4)
12665-X23	Space-Saving Shelf, For 23" Racks	3 (1.4)

X=color: 1=Gray, 2=Computer Beige, 5=Clear, 7=Black, E=Glacier White

800-834-4969 in U.S. & Canada • www.chatsworth.com



CHATSWORTH PRODUCTS

©2013 Chatsworth Products, Inc. All rights reserved. CPI, CPI Passive Cooling, GlobalFrame, MegaFrame, Saf-T-Grip, Seismic Frame, SlimFrame, TeraFrame, Cube-IT Plus, Evolution, OnTrac, Velocity and QuadraRack are federally registered trademarks of Chatsworth Products. eConnect and Simply Efficient are trademarks of Chatsworth Products. All other trademarks belong to their respective companies. 6/13