

Product Cut Sheet

RACK RADIUS DROP

The Rack Radius Drop provides a transition from a horizontal cable run onto a rack while maintaining the recommended bend radius. Cable bundles are held securely in place on the Rack Radius Drop by using the included Saf-T-Grip® Center Grommet Buckle Cable Management Strap; 9"L (230 mm) for 12392-X09 and 12393-X01 and 6"L (150 mm) for 12392-X06 and 12394-X01 only.

Note: For UTP and STP-A, the required bend radius is no less than four times the cable diameter. For optical fiber, the required bend radius is either 10 times the cable diameter or 1.2" (30 mm), whichever is larger. (reference BICSI TDDM).

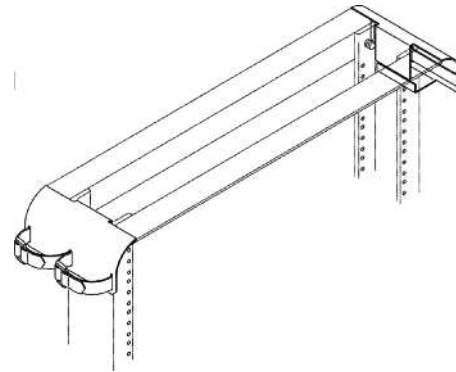
Three styles are available:

- 1) 3" (80 mm) or 6" (150 mm) rack channels without vertical rack cabling sections use P/N 12392-X06, 3"(80 mm) or 12392-X09, 6"(150 mm).
- 2) Single sided vertical rack cabling managers use P/N 12393-X01
- 3) Double sided vertical rack cabling managers use P/N 12394-X01

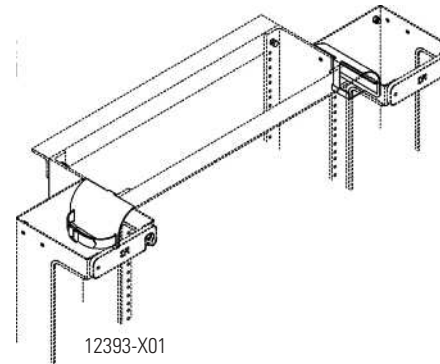
- Provides an organized method to transition from horizontal cable run onto the rack while maintaining bend radius; styles offered for use with or without vertical rack cabling sections
- Provides 1-1/2" (38 mm) bend radius
- Quick and easy slip-on installation onto rack channel
- Sold individually

| Part Number | Description in (mm) | Shipping Weight lb (kg) |
|-------------|---|-------------------------|
| 12392-X06 | Rack Radius Drop for 3 (80) Rack Channels w/o Vertical Cabling Sections | 1 (0.5) |
| 12392-X09 | Rack Radius Drop for 6 (15) Rack Channels w/o Vertical Cabling Sections | 1 (0.5) |
| 12393-X01 | Rack Radius Drop For Use with Single Sided Vertical Cabling Section | 1 (0.5) |
| 12394-X01 | Rack Radius Drop For Use with Double Sided Vertical Cabling Section | 1 (0.5) |

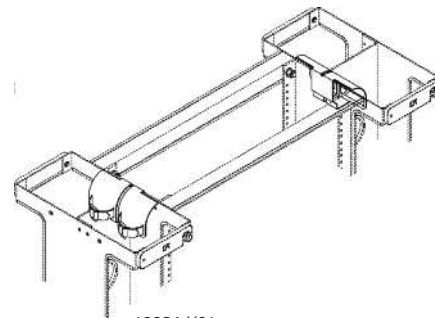
X=color: 1=Gray, 2=Computer Beige, 5=Clear, 7=Black, E=Glacier White.



12392-X06



12393-X01



12394-X01

800-834-4969 in U.S. & Canada • www.chatsworth.com



CHATSWORTH PRODUCTS

©2013 Chatsworth Products, Inc. All rights reserved. CPI, CPI Passive Cooling, GlobalFrame, MegaFrame, Saf-T-Grip, Seismic Frame, SlimFrame, TeraFrame, Cube-IT Plus, Evolution, OnTrac, Velocity and QuadraRack are federally registered trademarks of Chatsworth Products. eConnect and Simply Efficient are trademarks of Chatsworth Products. All other trademarks belong to their respective companies. 6/13