

Product Cut Sheet

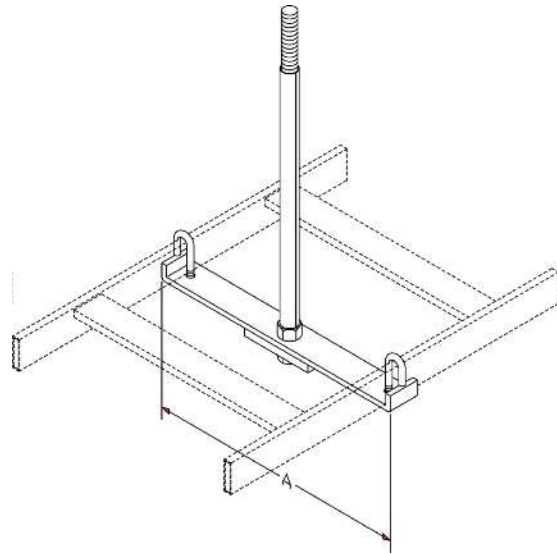
CABLE RUNWAY CENTER SUPPORT KIT

This kit has been designed to make installation of cable runway in the ceiling even easier by using just a single point of attachment. The center attachment design not only makes installation easy but also provides quick and simple cable routing with no need to thread the cable between the runway supports. The support kit securely attaches to the cable runway stringer, eliminating possible dislocations.

- Made of steel
- Provides an "open" support system with quick and simple cable routing
- Threaded rod cover protects cable insulation from damage

Kit consists of:

- (1) support bracket
- (1) reinforcement bar
- (2) 5/8-11 hex nuts
- (1) 5/8 split lock washers
- (1) 12"L (300 mm) threaded rod cover
- (1) J-bolt kit (2 J-bolts; 2 nuts; 2 washers)



The Cable Runway Center Support Kit is available in sizes to support 6" to 24"W (150 mm to 610 mm) cable runway. Not included: Threaded Rod (P/N 11440-00X) and Ceiling Support Bracket (P/N 11406-002)

Part Number	Description Width - in (mm)	Dim. A in (mm)	Shipping Weight lb (kg)
12362-X06	6 (150)	6.56 (166.6)	2 (0.9)
12362-X12	12 (300)	12.56 (319.0)	2 (0.9)
12362-X15	15 (380)	16.20 (411.5)	3 (1.4)
12362-X18	18 (460)	19.20 (487.7)	4 (1.8)
12362-X24	24 (610)	25.20 (640.1)	5 (2.3)

*X=*color: Gold (-0), Computer Beige (-2) and Glacier White (-E) kits have gold colored hardware. Gray (-1) and Black (-7) kits have black colored hardware.

800-834-4969 in U.S. & Canada • www.chatsworth.com



©2013 Chatsworth Products, Inc. All rights reserved. CPI, CPI Passive Cooling, GlobalFrame, MegaFrame, Saf-T-Grip, Seismic Frame, SlimFrame, TeraFrame, Cube-IT Plus, Evolution, OnTrac, Velocity and QuadraRack are federally registered trademarks of Chatsworth Products. eConnect and Simply Efficient are trademarks of Chatsworth Products. All other trademarks belong to their respective companies. 6/13