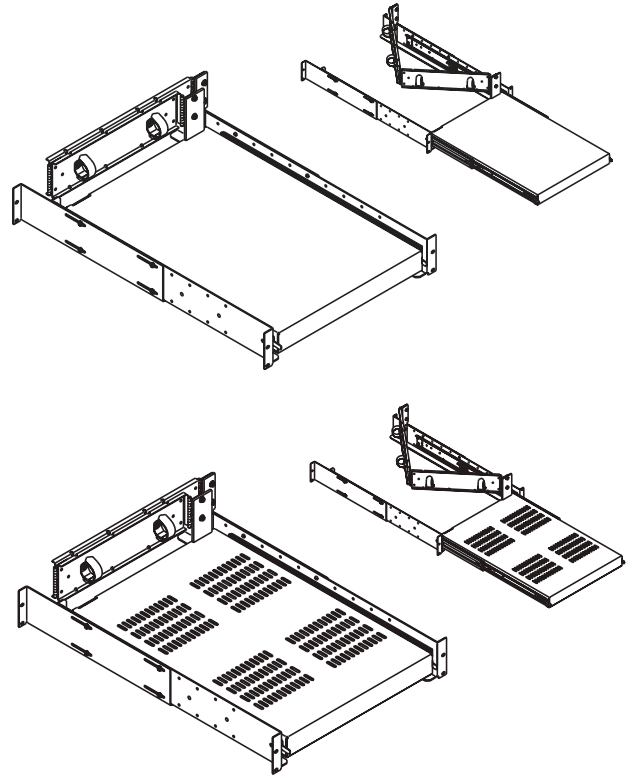


# Product Information Sheet

## SLIDING SHELF

These specially designed shelves are suitable for applications where there is a need to access installed equipment for maintenance, upgrading, cleaning, etc. The preassembled cable management arm prevents tangles, twists and damage from cuts, kinks, etc. during shelf extension or retraction as well as maintaining proper bend radius of cable. Shelves mount to the four vertical mounting rails. Two depths are offered (18" and 24") to provide clearance for cables, ventilation, power strips, etc. Shelves have adjustable mounting depths of 14" to 24" for the 18" shelf and 18" to 30" for the 24" shelf. Offered in either vented or non-vented styles. Vented shelves are designed to optimize air flow. Sold individually.

- Extends 17" for 18"D shelf and 23" for 24"D
- Offered in 18" or 24" depth, vented or non-vented
- Made of strong, lightweight aluminum
- Shelf locks in closed or fully open position, providing stability
- Supports up to 140 lb
- Ships fully assembled, installs using 8 #12-24 screws (not included)
- Installs fully assembled (screws not included)
- Fits MegaFrames 30"D or less



Part Number	Color	Shipping Weight
<b>19"W x 18"D Sliding Shelf, non-vented</b>		
12338-119	Gray	13 lb
12338-219	Computer White	13 lb
12338-719	Black	13 lb
<b>19"W x 18"D Sliding Shelf, vented</b>		
12339-119	Gray	13 lb
12339-219	Computer White	13 lb
12339-719	Black	13 lb
<b>19"W x 24"D Sliding Shelf, non-vented</b>		
12345-119	Gray	16 lb
12345-219	Computer White	16 lb
12345-719	Black	16 lb
<b>19"W x 24"D Sliding Shelf, vented</b>		
12346-119	Gray	16 lb
12346-219	Computer White	16 lb
12346-719	Black	16 lb

Part Number	Color	Shipping Weight
<b>23"W x 18"D Sliding Shelf, non-vented</b>		
12338-123	Gray	14 lb
12338-223	Computer White	14 lb
12338-723	Black	14 lb
<b>23 W x 18"D Sliding Shelf, vented</b>		
12339-123	Gray	14 lb
12339-223	Computer White	14 lb
12339-723	Black	14 lb
<b>23"W x 24"D Sliding Shelf, non-vented</b>		
12345-123	Gray	17 lb
12345-223	Computer White	17 lb
12345-723	Black	17 lb
<b>23"W x 24"D Sliding Shelf, vented</b>		
12346-123	Gray	17 lb
12346-223	Computer White	17 lb
12346-723	Black	17 lb

800-834-4969 in US & Canada • [www.chatsworth.com](http://www.chatsworth.com)



CHATSWORTH PRODUCTS, INC.