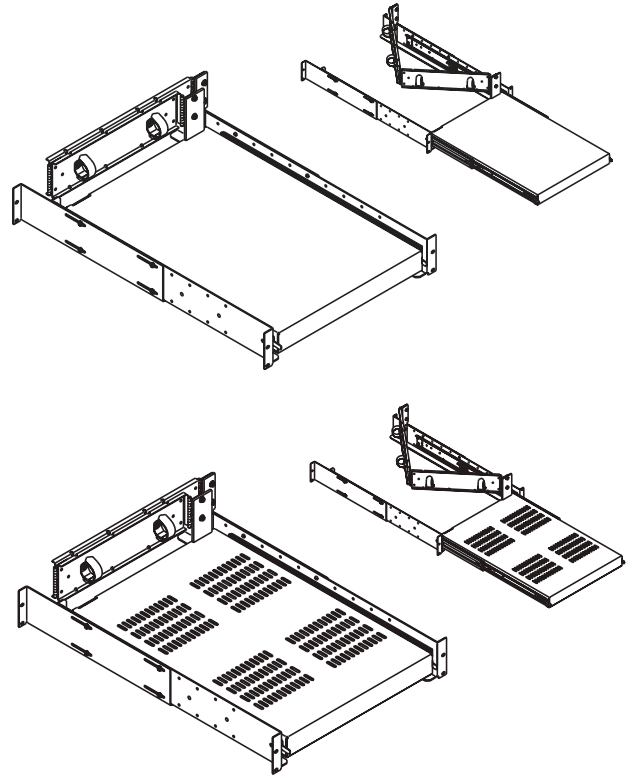


Product Information Sheet

SLIDING SHELF

These specially designed shelves are suitable for applications where there is a need to access installed equipment for maintenance, upgrading, cleaning, etc. The preassembled cable management arm prevents tangles, twists and damage from cuts, kinks, etc. during shelf extension or retraction as well as maintaining proper bend radius of cable. Shelves mount to the four vertical mounting rails. Two depths are offered (18" and 24") to provide clearance for cables, ventilation, power strips, etc. Shelves have adjustable mounting depths of 14" to 24" for the 18" shelf and 18" to 30" for the 24" shelf. Offered in either vented or non-vented styles. Vented shelves are designed to optimize air flow. Sold individually.

- Extends 17" for 18"D shelf and 23" for 24"D
- Offered in 18" or 24" depth, vented or non-vented
- Made of strong, lightweight aluminum
- Shelf locks in closed or fully open position, providing stability
- Supports up to 140 lb
- Ships fully assembled, installs using 8 #12-24 screws (not included)
- Installs fully assembled (screws not included)
- Fits MegaFrames 30"D or less



| Part Number | Color | Shipping Weight |
|--|----------------|-----------------|
| 19"W x 18"D Sliding Shelf, non-vented | | |
| 12338-119 | Gray | 13 lb |
| 12338-219 | Computer White | 13 lb |
| 12338-719 | Black | 13 lb |
| 19"W x 18"D Sliding Shelf, vented | | |
| 12339-119 | Gray | 13 lb |
| 12339-219 | Computer White | 13 lb |
| 12339-719 | Black | 13 lb |
| 19"W x 24"D Sliding Shelf, non-vented | | |
| 12345-119 | Gray | 16 lb |
| 12345-219 | Computer White | 16 lb |
| 12345-719 | Black | 16 lb |
| 19"W x 24"D Sliding Shelf, vented | | |
| 12346-119 | Gray | 16 lb |
| 12346-219 | Computer White | 16 lb |
| 12346-719 | Black | 16 lb |

| Part Number | Color | Shipping Weight |
|--|----------------|-----------------|
| 23"W x 18"D Sliding Shelf, non-vented | | |
| 12338-123 | Gray | 14 lb |
| 12338-223 | Computer White | 14 lb |
| 12338-723 | Black | 14 lb |
| 23 W x 18"D Sliding Shelf, vented | | |
| 12339-123 | Gray | 14 lb |
| 12339-223 | Computer White | 14 lb |
| 12339-723 | Black | 14 lb |
| 23"W x 24"D Sliding Shelf, non-vented | | |
| 12345-123 | Gray | 17 lb |
| 12345-223 | Computer White | 17 lb |
| 12345-723 | Black | 17 lb |
| 23"W x 24"D Sliding Shelf, vented | | |
| 12346-123 | Gray | 17 lb |
| 12346-223 | Computer White | 17 lb |
| 12346-723 | Black | 17 lb |

800-834-4969 in US & Canada • www.chatsworth.com



CHATSWORTH PRODUCTS, INC.