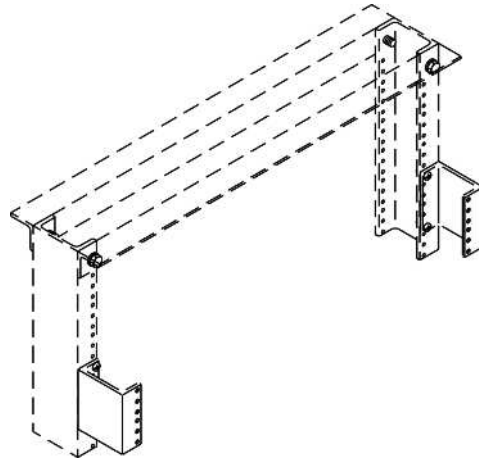


# Product Cut Sheet

## RACK CHANNEL STANDOFFS

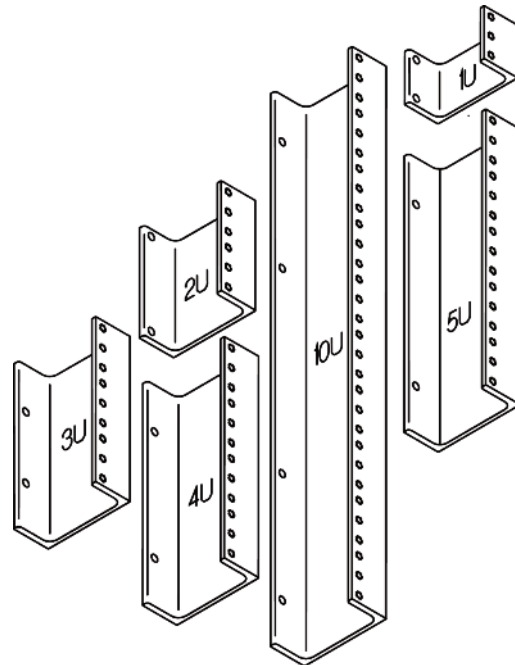
Rack Channel Standoffs offer solutions to many electronic component positioning problems including:

- Adding deeper electronic components to existing CPI Wall Racks, Heavy Duty Wall Racks, Universal Swing Gate Wall Racks, Standard Swing Gate Wall Rack or Self-Support Racks
- Providing improved patch panel cable transitions when a double-sided cabling section is used with a 3"(80 mm) Rack Channel; use 1-1/2" (38 mm) Rack Channel Standoff
- Reposition rack-mounted electronic components to redistribute component weight or to realign component for whatever reason
- Available in three depths and six heights
- Packaged one pair per box



| Part Number                 | Overall Height | Mounting Holes | Shipping Weight lb (kg) |
|-----------------------------|----------------|----------------|-------------------------|
| <b>3" Depth (80 mm)</b>     |                |                |                         |
| 12309-X01                   | 1U             | 3              | 1 (0.5)                 |
| 12309-X02                   | 2U             | 6              | 1 (0.5)                 |
| 12309-X03                   | 3U             | 9              | 2 (0.9)                 |
| 12309-X04                   | 4U             | 12             | 2 (0.9)                 |
| 12309-X05                   | 5U             | 15             | 2 (0.9)                 |
| 12309-X10                   | 10U            | 30             | 4 (1.8)                 |
| <b>6" Depth (150 mm)</b>    |                |                |                         |
| 12310-X01                   | 1U             | 3              | 1 (0.5)                 |
| 12310-X02                   | 2U             | 6              | 1 (0.5)                 |
| 12310-X03                   | 3U             | 9              | 2 (0.9)                 |
| 12310-X04                   | 4U             | 12             | 2 (0.9)                 |
| 12310-X05                   | 5U             | 15             | 2 (0.9)                 |
| 12310-X10                   | 10U            | 30             | 4 (1.8)                 |
| <b>1-1/2" Depth (38 mm)</b> |                |                |                         |
| 12311-X01                   | 1U             | 3              | 1 (0.5)                 |
| 12311-X02                   | 2U             | 6              | 1 (0.5)                 |
| 12311-X03                   | 3U             | 9              | 2 (0.9)                 |
| 12311-X04                   | 4U             | 12             | 2 (0.9)                 |
| 12311-X05                   | 5U             | 15             | 2 (0.9)                 |
| 12311-X10                   | 10U            | 30             | 4 (1.8)                 |

X=color: 1=Gray, 2=Computer Beige, 5=Clear, 7=Black, E=Glacier White



Front of channel tapped with #12-24 threaded holes, EIA 310 Universal holes spacing

800-834-4969 in U.S. & Canada • [www.chatsworth.com](http://www.chatsworth.com)



CHATSWORTH PRODUCTS

©2013 Chatsworth Products, Inc. All rights reserved. CPI, CPI Passive Cooling, GlobalFrame, MegaFrame, Saf-T-Grip, Seismic Frame, SlimFrame, TeraFrame, Cube-IT Plus, Evolution, OnTrac, Velocity and QuadraRack are federally registered trademarks of Chatsworth Products. eConnect and Simply Efficient are trademarks of Chatsworth Products. All other trademarks belong to their respective companies. 6/13