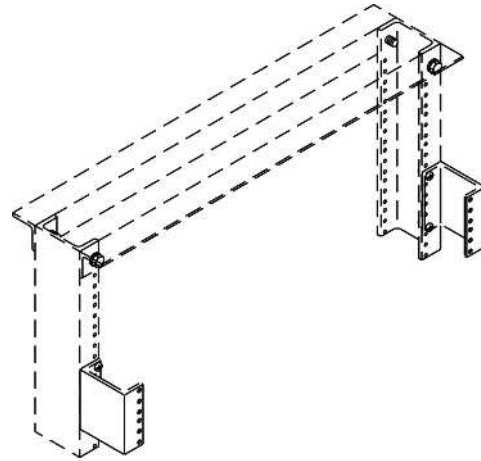


# Product Cut Sheet

## RACK CHANNEL STANDOFFS

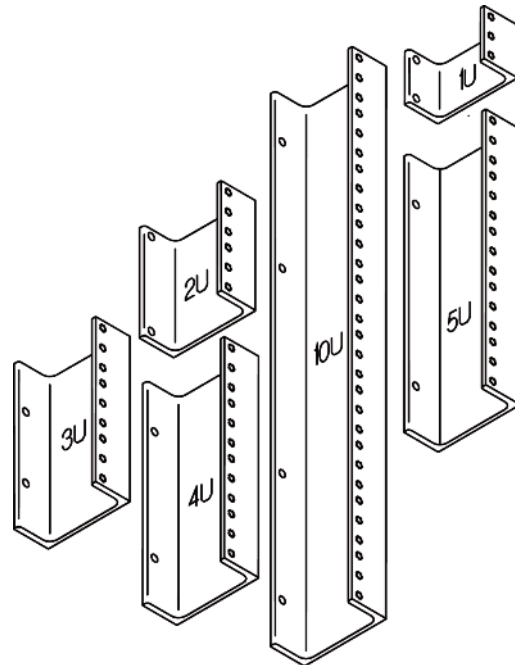
Rack Channel Standoffs offer solutions to many electronic component positioning problems including:

- Adding deeper electronic components to existing CPI Wall Racks, Heavy Duty Wall Racks, Universal Swing Gate Wall Racks, Standard Swing Gate Wall Rack or Self-Support Racks
- Providing improved patch panel cable transitions when a double-sided cabling section is used with a 3"(80 mm) Rack Channel; use 1-1/2" (38 mm) Rack Channel Standoff
- Reposition rack-mounted electronic components to redistribute component weight or to realign component for whatever reason
- Available in three depths and six heights
- Packaged one pair per box



Part Number	Overall Height	Mounting Holes	Shipping Weight lb (kg)
<b>3" Depth (80 mm)</b>			
12309-X01	1U	3	1 (0.5)
12309-X02	2U	6	1 (0.5)
12309-X03	3U	9	2 (0.9)
12309-X04	4U	12	2 (0.9)
12309-X05	5U	15	2 (0.9)
12309-X10	10U	30	4 (1.8)
<b>6" Depth (150 mm)</b>			
12310-X01	1U	3	1 (0.5)
12310-X02	2U	6	1 (0.5)
12310-X03	3U	9	2 (0.9)
12310-X04	4U	12	2 (0.9)
12310-X05	5U	15	2 (0.9)
12310-X10	10U	30	4 (1.8)
<b>1-1/2" Depth (38 mm)</b>			
12311-X01	1U	3	1 (0.5)
12311-X02	2U	6	1 (0.5)
12311-X03	3U	9	2 (0.9)
12311-X04	4U	12	2 (0.9)
12311-X05	5U	15	2 (0.9)
12311-X10	10U	30	4 (1.8)

X=color: 1=Gray, 2=Computer Beige, 5=Clear, 7=Black, E=Glacier White



Front of channel tapped with #12-24 threaded holes, EIA 310 Universal holes spacing

800-834-4969 in U.S. & Canada • [www.chatsworth.com](http://www.chatsworth.com)



©2013 Chatsworth Products, Inc. All rights reserved. CPI, CPI Passive Cooling, GlobalFrame, MegaFrame, Saf-T-Grip, Seismic Frame, SlimFrame, TeraFrame, Cube-IT Plus, Evolution, OnTrac, Velocity and QuadraRack are federally registered trademarks of Chatsworth Products. eConnect and Simply Efficient are trademarks of Chatsworth Products. All other trademarks belong to their respective companies. 6/13