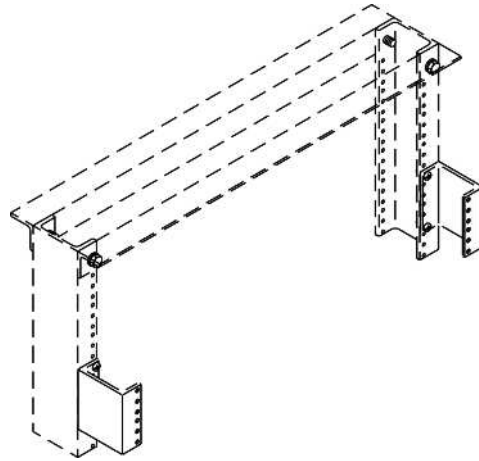


Product Cut Sheet

RACK CHANNEL STANDOFFS

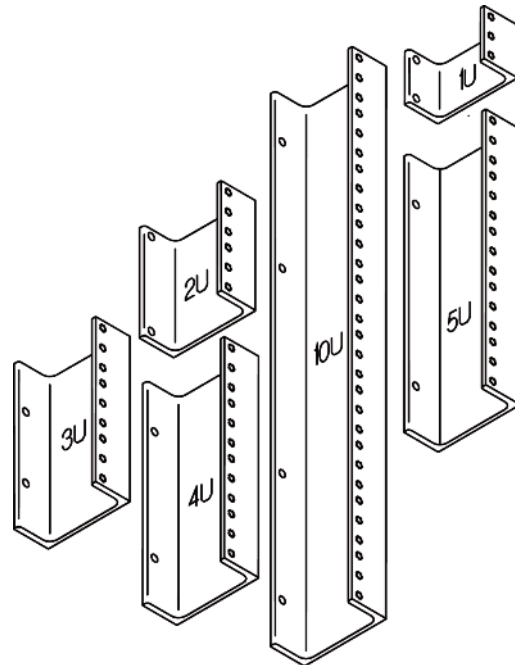
Rack Channel Standoffs offer solutions to many electronic component positioning problems including:

- Adding deeper electronic components to existing CPI Wall Racks, Heavy Duty Wall Racks, Universal Swing Gate Wall Racks, Standard Swing Gate Wall Rack or Self-Support Racks
- Providing improved patch panel cable transitions when a double-sided cabling section is used with a 3"(80 mm) Rack Channel; use 1-1/2" (38 mm) Rack Channel Standoff
- Reposition rack-mounted electronic components to redistribute component weight or to realign component for whatever reason
- Available in three depths and six heights
- Packaged one pair per box



| Part Number | Overall Height | Mounting Holes | Shipping Weight lb (kg) |
|-----------------------------|----------------|----------------|-------------------------|
| 3" Depth (80 mm) | | | |
| 12309-X01 | 1U | 3 | 1 (0.5) |
| 12309-X02 | 2U | 6 | 1 (0.5) |
| 12309-X03 | 3U | 9 | 2 (0.9) |
| 12309-X04 | 4U | 12 | 2 (0.9) |
| 12309-X05 | 5U | 15 | 2 (0.9) |
| 12309-X10 | 10U | 30 | 4 (1.8) |
| 6" Depth (150 mm) | | | |
| 12310-X01 | 1U | 3 | 1 (0.5) |
| 12310-X02 | 2U | 6 | 1 (0.5) |
| 12310-X03 | 3U | 9 | 2 (0.9) |
| 12310-X04 | 4U | 12 | 2 (0.9) |
| 12310-X05 | 5U | 15 | 2 (0.9) |
| 12310-X10 | 10U | 30 | 4 (1.8) |
| 1-1/2" Depth (38 mm) | | | |
| 12311-X01 | 1U | 3 | 1 (0.5) |
| 12311-X02 | 2U | 6 | 1 (0.5) |
| 12311-X03 | 3U | 9 | 2 (0.9) |
| 12311-X04 | 4U | 12 | 2 (0.9) |
| 12311-X05 | 5U | 15 | 2 (0.9) |
| 12311-X10 | 10U | 30 | 4 (1.8) |

X=color: 1=Gray, 2=Computer Beige, 5=Clear, 7=Black, E=Glacier White



Front of channel tapped with #12-24 threaded holes, EIA 310 Universal holes spacing

800-834-4969 in U.S. & Canada • www.chatsworth.com



CHATSWORTH PRODUCTS

©2013 Chatsworth Products, Inc. All rights reserved. CPI, CPI Passive Cooling, GlobalFrame, MegaFrame, Saf-T-Grip, Seismic Frame, SlimFrame, TeraFrame, Cube-IT Plus, Evolution, OnTrac, Velocity and QuadraRack are federally registered trademarks of Chatsworth Products. eConnect and Simply Efficient are trademarks of Chatsworth Products. All other trademarks belong to their respective companies. 6/13