

Product Cut Sheet

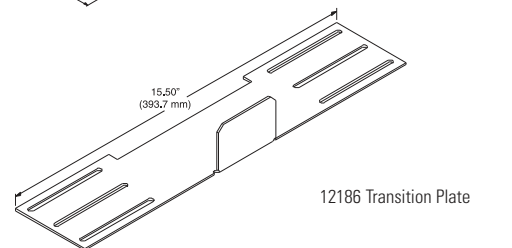
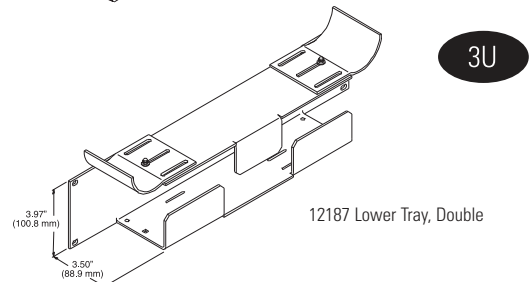
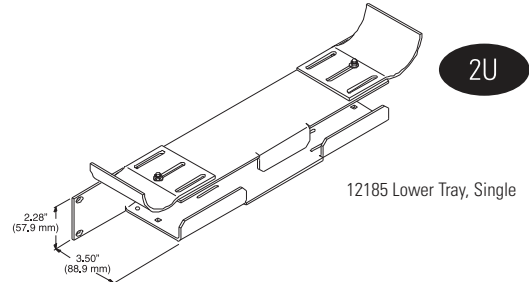
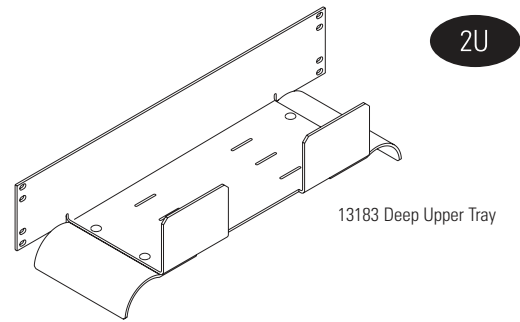
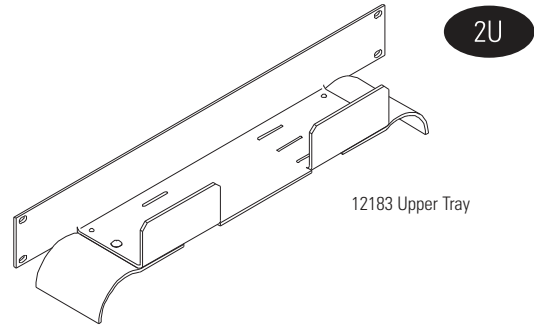
TRANSITION TRAYS

The Jumper and Transition Trays aid in compliance with ANSI/TIA/EIA-568B bend radius requirements. Two styles are available to provide upper and lower horizontal/vertical cable management and promote a gradual, controlled bend for both UTP and optical fiber cable. Adjust the position of the bend radius to deliver cables into the vertical cable manager or attach a transition plate between trays to create a solid wire way between racks. Mounting screws not included. Sold individually.

- Provides 1-1/2" (38 mm) bend radius for compliant installation of Category 5e/6/6a or fiber cable
- Telescopes to adjust cable entry or exit position
- Mounts on 19" or 23" rack; may also be wall-mounted
- Strong lightweight aluminum construction

| Part Number | | Description | Shipping Weight lb (kg) |
|-------------|-----------|--------------------------------------|----------------------------|
| 19" | 23" | | |
| 12183-X19 | 12183-X23 | Upper Tray, 3.5"D (89 mm) | 3 (1.4) |
| 13183-X19 | 13183-X23 | Upper Tray, 6"D (150 mm) | 4 (1.8) |
| 12185-X19 | 12185-X23 | Lower Tray, Single, 3.5"D (89 mm) | 4 (1.8) |
| 12187-X19 | 12187-X23 | Lower Tray, Double, 3.5"D (89 mm) | 5 (2.3) |
| 12186-X01 | N/A | Transition Plate, 15.5"L (394 mm) | 2 (0.9) |

X=color: 1=Gray, 2=Computer Beige, 5=Clear, 7=Black, E=Glacier White.



800-834-4969 in U.S. & Canada • www.chatsworth.com