

# Product Cut Sheet

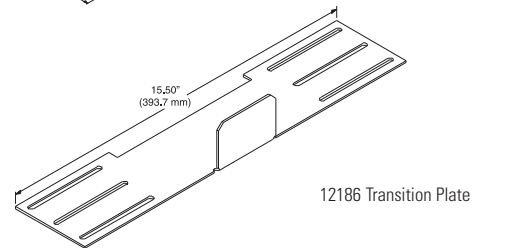
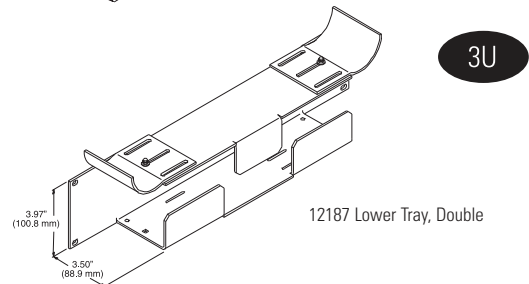
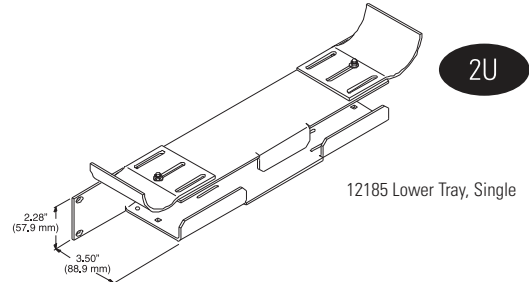
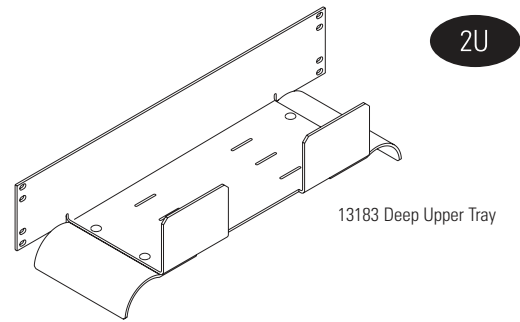
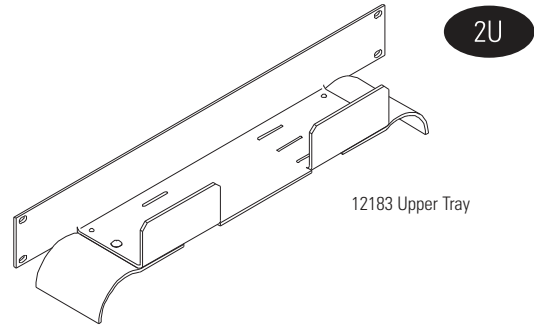
## TRANSITION TRAYS

The Jumper and Transition Trays aid in compliance with ANSI/TIA/EIA-568B bend radius requirements. Two styles are available to provide upper and lower horizontal/vertical cable management and promote a gradual, controlled bend for both UTP and optical fiber cable. Adjust the position of the bend radius to deliver cables into the vertical cable manager or attach a transition plate between trays to create a solid wire way between racks. Mounting screws not included. Sold individually.

- Provides 1-1/2" (38 mm) bend radius for compliant installation of Category 5e/6/6a or fiber cable
- Telescopes to adjust cable entry or exit position
- Mounts on 19" or 23" rack; may also be wall-mounted
- Strong lightweight aluminum construction

Part Number		Description	Shipping Weight lb (kg)
19"	23"		
12183-X19	12183-X23	Upper Tray, 3.5"D (89 mm)	3 (1.4)
13183-X19	13183-X23	Upper Tray, 6"D (150 mm)	4 (1.8)
12185-X19	12185-X23	Lower Tray, Single, 3.5"D (89 mm)	4 (1.8)
12187-X19	12187-X23	Lower Tray, Double, 3.5"D (89 mm)	5 (2.3)
12186-X01	N/A	Transition Plate, 15.5"L (394 mm)	2 (0.9)

X=color: 1=Gray, 2=Computer Beige, 5=Clear, 7=Black, E=Glacier White.



800-834-4969 in U.S. & Canada • [www.chatsworth.com](http://www.chatsworth.com)