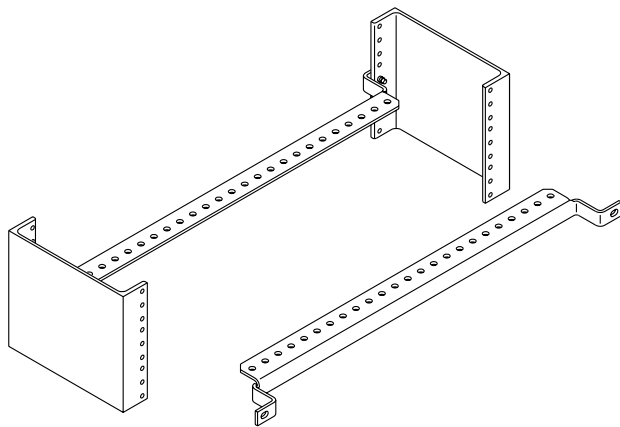


Patch Panel Wire Management Bar for ThinLine II Wall-Mount Cabinet

The CPI Patch Panel Wire Management Bar provides the necessary wire management and strain relief required by ANSI/TIA/EIA-568-B. Sold individually. Attaches to rack with standard #12-24 rack screws (not included).

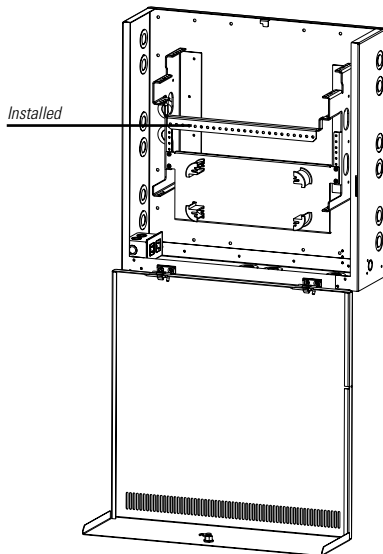
- 19" rack mountable
- May be mounted inward for 6" channel or outward to standard 3" rack side channel
- Wire tie holes maintain wire perpendicular relative to termination point
- Made of sturdy aluminum



ORDERING INFORMATION

Part Number	Description	Shipping Weight lb (kg)
12176-X01	19" EIA Rack-Mountable Wire Management Bar	1 (0.5)

X=color: 1=Gray, 2=Computer Beige, 7=Black



For product CSI Specs, visit the Support & Downloads page on www.chatsworth.com.

US & Canada

+1-800-834-4969
 Toronto, Ontario, Canada
 +905-850-7770
chatsworth.com
techsupport@chatsworth.com

Latin America

+52-55-5203-7525
 Toll Free within Mexico
 01-800-01-7592
chatsworth.com.co

Europe

+44-1628-524-834
chatsworthproducts.co.uk

Middle East & Africa

Dubai, UAE
 +971-4-2602125
chatsworth.ae

Asia Pacific

+86 21 6880-0266
chatsworth.com.cn

