

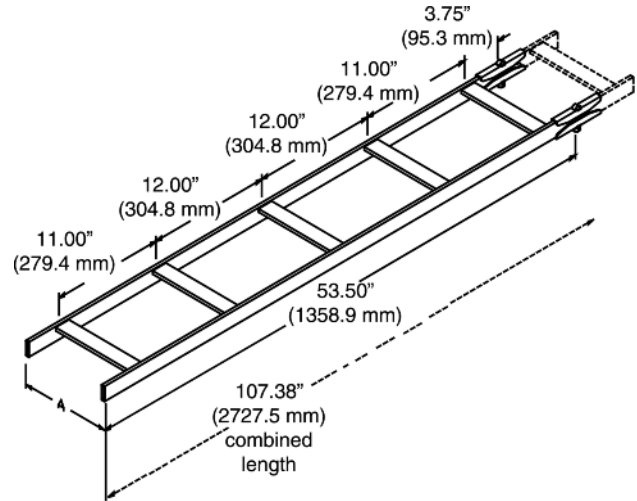
Product Cut Sheet

QUICK SHIP CABLE RUNWAY KIT

The 4' 6" (1359 mm) length of this cable runway is designed to meet UPS requirements without additional charges. Packaged one kit per box.

Kit consists of:

- (2) 4' 6" / 53.5" (1359 mm) cable runway; combined length is 8' 11 3/8" L / 107.38" (2727.5 mm)
- (1) Butt-Splice Kit (P/N 11301-001)



Part Number	Width (Dim. A) in (mm)
12170-X06	6 (150)
12170-X09	10 (250)
12170-X12	12 (300)

X=color: 1=Gray, 2=Computer Beige, 7=Black, E=Glacier White.

800-834-4969 in U.S. & Canada • www.chatsworth.com



CHATSWORTH PRODUCTS

©2013 Chatsworth Products, Inc. All rights reserved. CPI, CPI Passive Cooling, GlobalFrame, MegaFrame, Saf-T-Grip, Seismic Frame, SlimFrame, TeraFrame, Cube-IT Plus, Evolution, OnTrac, Velocity and QuadraRack are federally registered trademarks of Chatsworth Products. eConnect and Simply Efficient are trademarks of Chatsworth Products. All other trademarks belong to their respective companies. 6/13