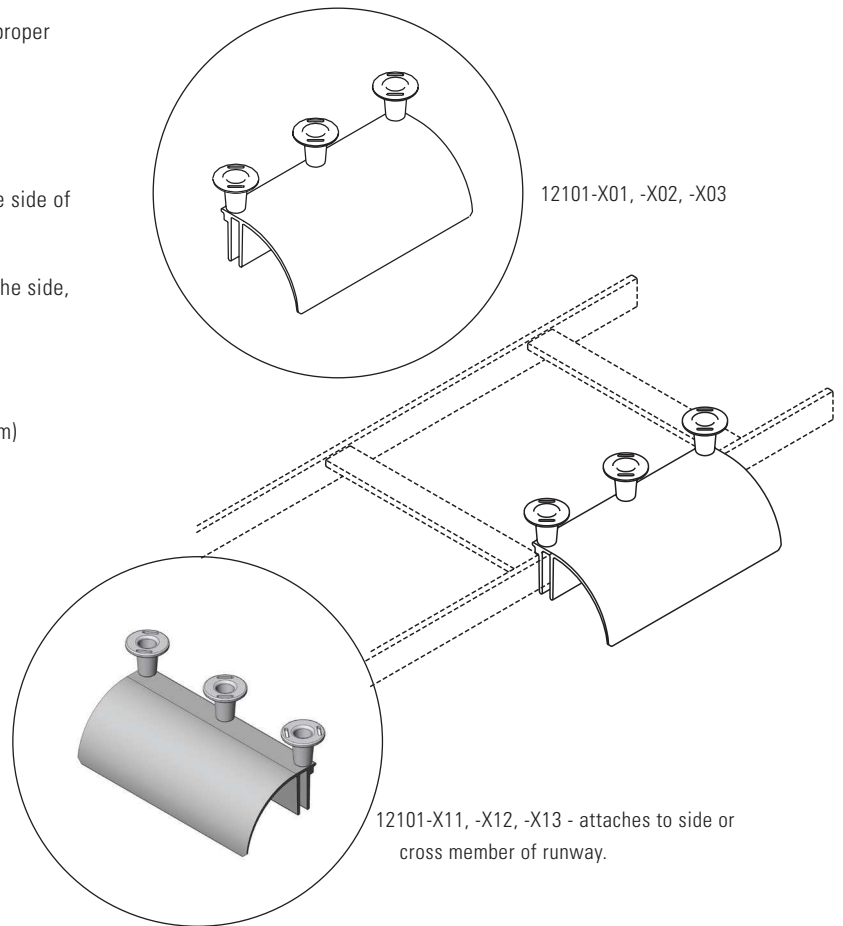


Cable Runway Radius Drop, Stringer

Mounts to the side stringer of CPI Cable Runway to help maintain proper

Category 5e/6/6a or fiber bend radius.

- Quick and easy installation
- Stringer Radius Drop (P/N 12101-X01, -X02, -X03) attaches to the side of the runway
- Stringer Radius Drop (P/N 12101-X11, -X12, -X13) can attach to the side, or straddle the rungs of the runway cross-member
- Provides 3" (80 mm) bend radius
- Products 5"W (130 mm), 12101-X03, drop into CPI's 6"W (150 mm) vertical cabling sections
- Supplied with 1-1/2" (38.1 mm) cable spools (P/N 15003-001) to separate and guide cables
- Sold individually



12101-X01, -X02, -X03

12101-X11, -X12, -X13 - attaches to side or cross member of runway.

ORDERING INFORMATION

Part Number	Runway Application (side attachment)	Product Width in (mm)	Cable Spools
12101-X01	Universal	10.3 (260)	2 each
12101-X02	Telco	7.8 (197)	2 each
12101-X03	Misc.	5 (130)	2 each

Part Number	Runway Application (side & straddle)	Product Width in (mm)	Cable Spools
12101-X11	Universal	10.3 (260)	2 each
12101-X12	Telco	7.8 (197)	2 each
12101-X13	Misc.	5 (130)	2 each

X=color: 1=Gray, Computer Beige, 7=Black, E=Glacier White.

For product CSI Specs, visit the Support & Downloads page on www.chatsworth.com.

US & Canada

+1-800-834-4969
Toronto, Ontario, Canada
+905-850-7770
chatsworth.com
techsupport@chatsworth.com

Latin America

+52-55-5203-7525
Toll Free within Mexico
01-800-01-7592
chatsworth.com.co

Europe

+44-1628-524-834
chatsworthproducts.co.uk

Middle East & Africa

Dubai, UAE
+971-4-2602125
chatsworth.ae

Asia Pacific

+86 21 6880-0266
chatsworth.com.cn

