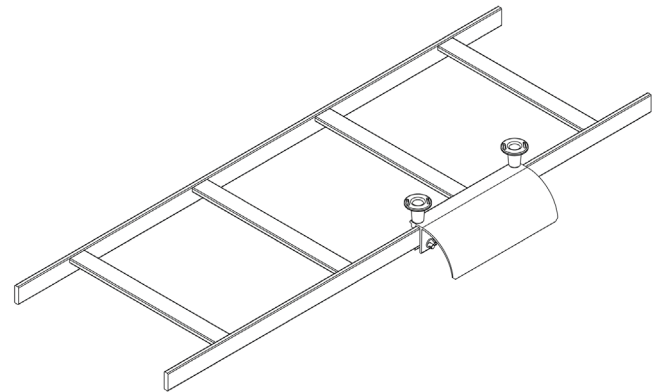


Cable Runway Radius Drop

Mounts to the cross member of CPI Cable Runway to help maintain proper Category 5e/6/6a or fiber bend radius.

- Quick and easy installation
- Cross Member Radius Drop (P/N 12100-XXX) fits 6", 9", 12" and 18"W (150 mm, 230 mm, 300 mm and 460 mm) cross member tubing on CPI Universal Runway (Series 10250)
- Provides 3" (80 mm) bend radius
- Products 5"W (130 mm), 12100-X06, drop into CPI's 6"W (150 mm) vertical cabling sections
- Supplied with 1-1/2" (38.1 mm) cable spools (P/N 15003-001) to separate and guide cables
- Sold individually



ORDERING INFORMATION

| Part Number | Cable Runway Width in (mm) | Product Width in (mm) | Cable Spools |
|-------------|----------------------------|-----------------------|--------------|
| 12100-X06 | 6 (150) | 5 (130) | 2 each |
| 12100-X09 | 9 (230) | 8 (200) | 2 each |
| 12100-X12 | 12 (300) | 11 (280) | 3 each |
| 12100-X18 | 18 (460) | 17 (430) | 3 each |

X=color: 1=Gray, Computer Beige, 7=Black, E=Glacier White.

For product CSI Specs, visit the Support & Downloads page on www.chatsworth.com.

US & Canada

+1-800-834-4969
 Toronto, Ontario, Canada
 +905-850-7770
chatsworth.com
techsupport@chatsworth.com

Latin America

+52-55-5203-7525
 Toll Free within Mexico
 01-800-01-7592
chatsworth.com.co

Europe

+44-1628-524-834
chatsworthproducts.co.uk

Middle East & Africa

Dubai, UAE
 +971-4-2602125
chatsworth.ae

Asia Pacific

+86 21 6880-0266
chatsworth.com.cn



CHATSWORTH
 PRODUCTS