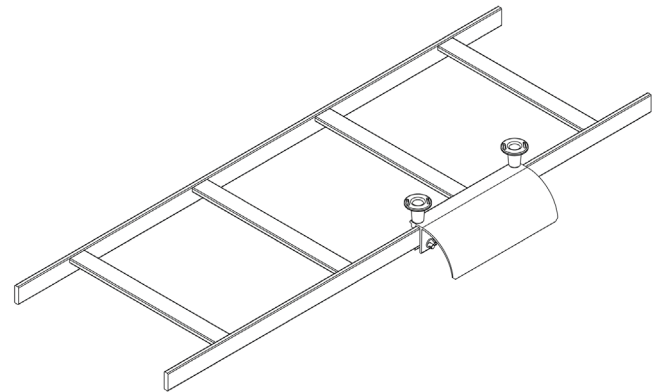


# Cable Runway Radius Drop

Mounts to the cross member of CPI Cable Runway to help maintain proper Category 5e/6/6a or fiber bend radius.

- Quick and easy installation
- Cross Member Radius Drop (P/N 12100-XXX) fits 6", 9", 12" and 18"W (150 mm, 230 mm, 300 mm and 460 mm) cross member tubing on CPI Universal Runway (Series 10250)
- Provides 3" (80 mm) bend radius
- Products 5"W (130 mm), 12100-X06, drop into CPI's 6"W (150 mm) vertical cabling sections
- Supplied with 1-1/2" (38.1 mm) cable spools (P/N 15003-001) to separate and guide cables
- Sold individually



## ORDERING INFORMATION

Part Number	Cable Runway Width in (mm)	Product Width in (mm)	Cable Spools
12100-X06	6 (150)	5 (130)	2 each
12100-X09	9 (230)	8 (200)	2 each
12100-X12	12 (300)	11 (280)	3 each
12100-X18	18 (460)	17 (430)	3 each

X=color: 1=Gray, Computer Beige, 7=Black, E=Glacier White.

For product CSI Specs, visit the Support & Downloads page on [www.chatsworth.com](http://www.chatsworth.com).

### US & Canada

+1-800-834-4969  
 Toronto, Ontario, Canada  
 +905-850-7770  
[chatsworth.com](http://chatsworth.com)  
[techsupport@chatsworth.com](mailto:techsupport@chatsworth.com)

### Latin America

+52-55-5203-7525  
 Toll Free within Mexico  
 01-800-01-7592  
[chatsworth.com.co](http://chatsworth.com.co)

### Europe

+44-1628-524-834  
[chatsworthproducts.co.uk](http://chatsworthproducts.co.uk)

### Middle East & Africa

Dubai, UAE  
 +971-4-2602125  
[chatsworth.ae](http://chatsworth.ae)

### Asia Pacific

+86 21 6880-0266  
[chatsworth.com.cn](http://chatsworth.com.cn)



CHATSWORTH  
 PRODUCTS